

PRODUCT INFORMATION PACKET



Model No: 171577.00

Catalog No: 171577.00

General Purpose Motor, 200 & 150 HP, 3 Ph, 60 & 50 Hz, 460 & 380 V, 1200 & 1000 RPM, 447T Frame, DP



Regal and Leeson are trademarks of Regal Rexnord Corporation or one of its affiliated companies.

©2023 Regal Rexnord Corporation, All Rights Reserved. MC017097E



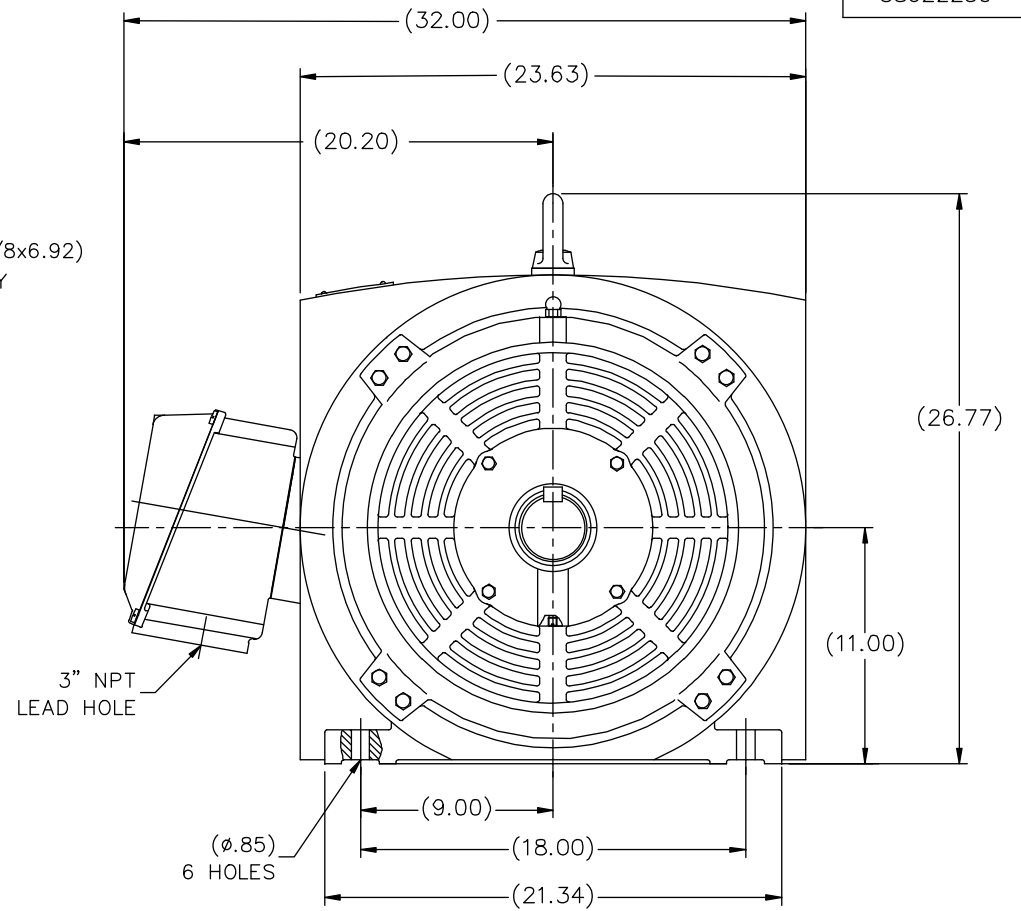
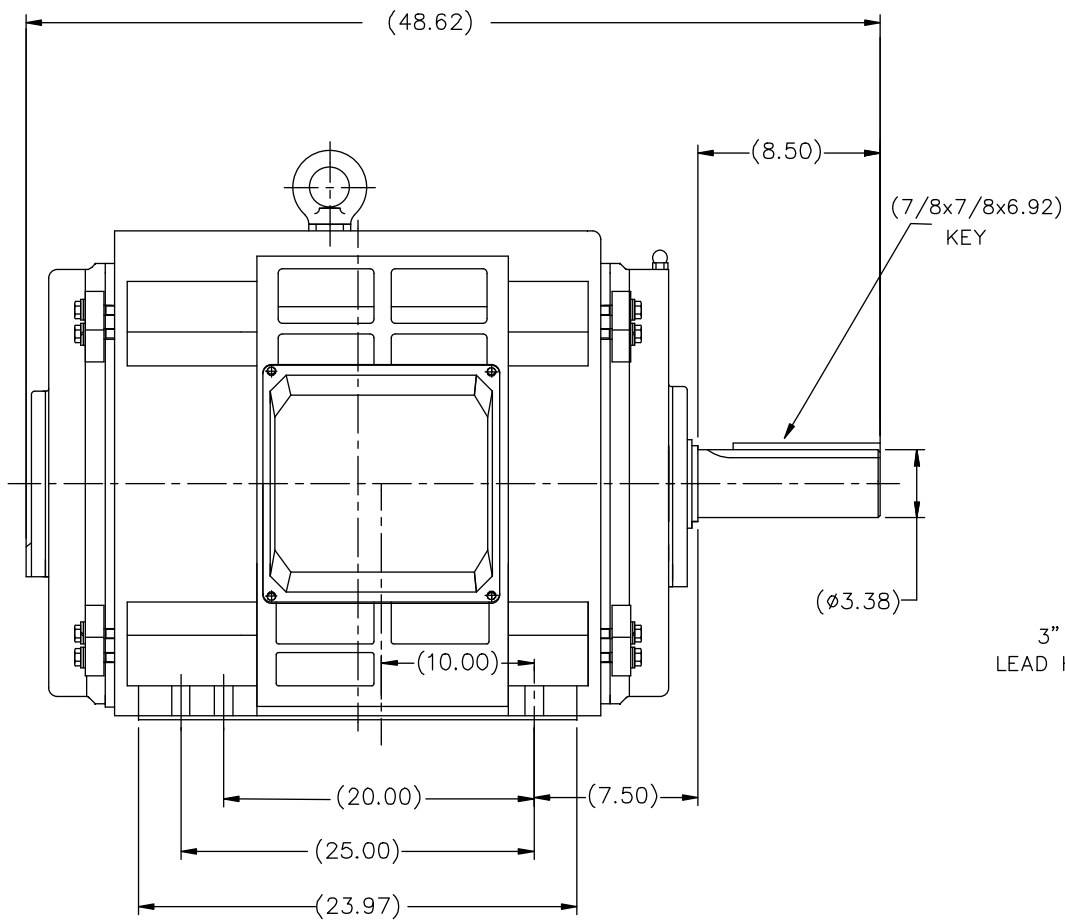


Nameplate Specifications


Phase	3	Output HP	200 & 150 Hp
Output KW	149.0 & 112.0 kW	Voltage	460 & 380 V
Speed	1193 & 995 rpm	Service Factor	1.15 & 1.15
Frame	447T	Enclosure	Drip Proof
Thermal Protection	No Protection	Efficiency	96.2 %
Ambient Temperature	40 °C	Frequency	60 & 50 Hz
Current	239 & 218 A	Power Factor	81
Duty	Continuous	Insulation Class	F
Design Code	B	KVA Code	G
Drive End Bearing Size	6318	Opp Drive End Bearing Size	6317
UL	Recognized	CSA	Y
CE	Y	IP Code	22
Number of Speeds	1		

Technical Specifications

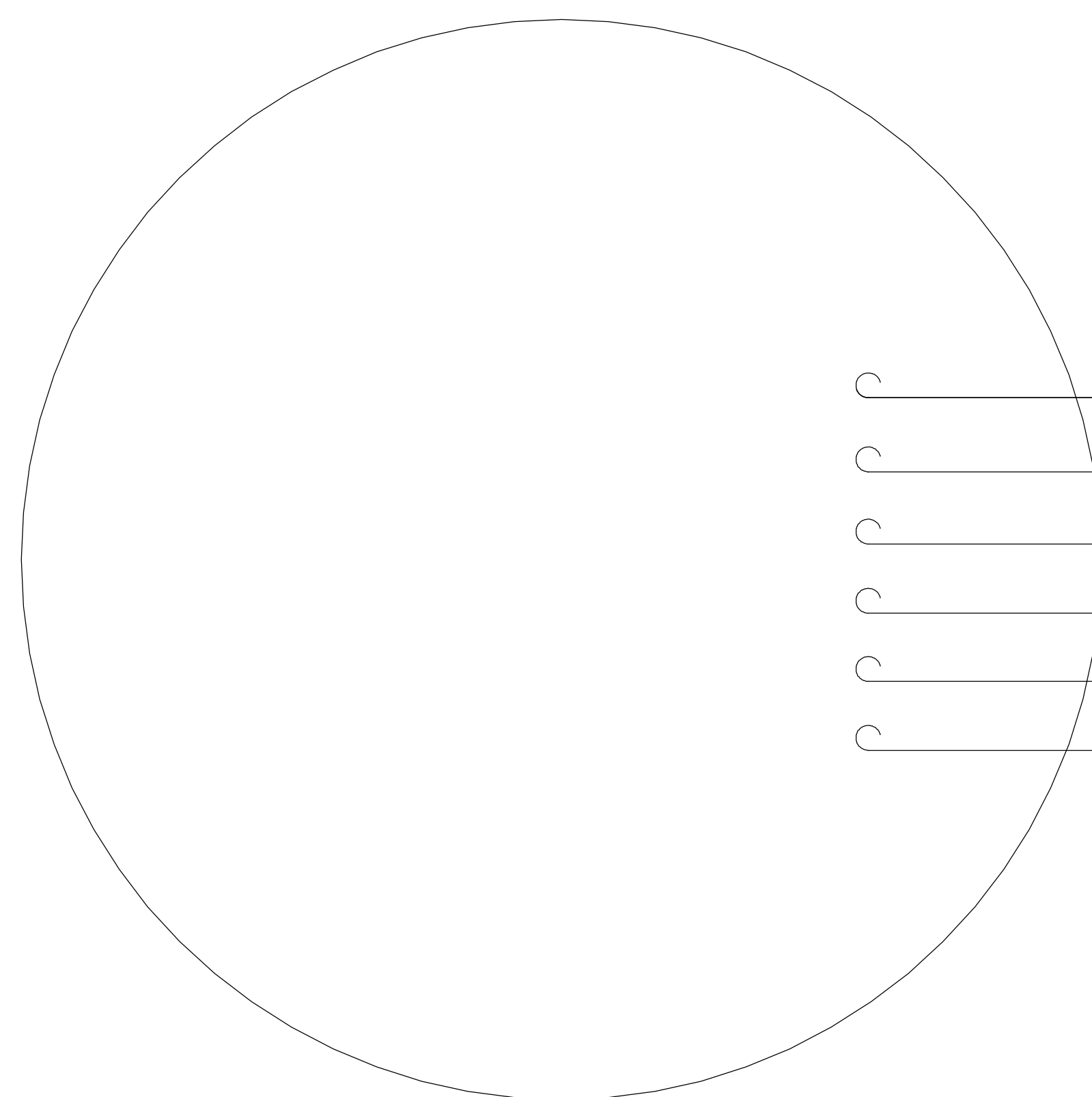
Electrical Type	Squirrel Cage Inverter Rated	Starting Method	Wye Start Delta Run Or Inverter
Poles	6	Rotation	Reversible
Resistance Main	.0145 Ohms	Mounting	Rigid Base
Motor Orientation	Horizontal	Drive End Bearing	Ball
Opp Drive End Bearing	Ball	Frame Material	Cast Iron
Shaft Type	T	Overall Length	48.62 in
Shaft Diameter	3.375 in	Shaft Extension	8.5 in
Assembly/Box Mounting	F1/F2 CAPABLE	Inverter Load	CONSTANT 2:1
Outline Drawing	SS622230	Connection Drawing	00519001



DRAWING NOT TO SCALE

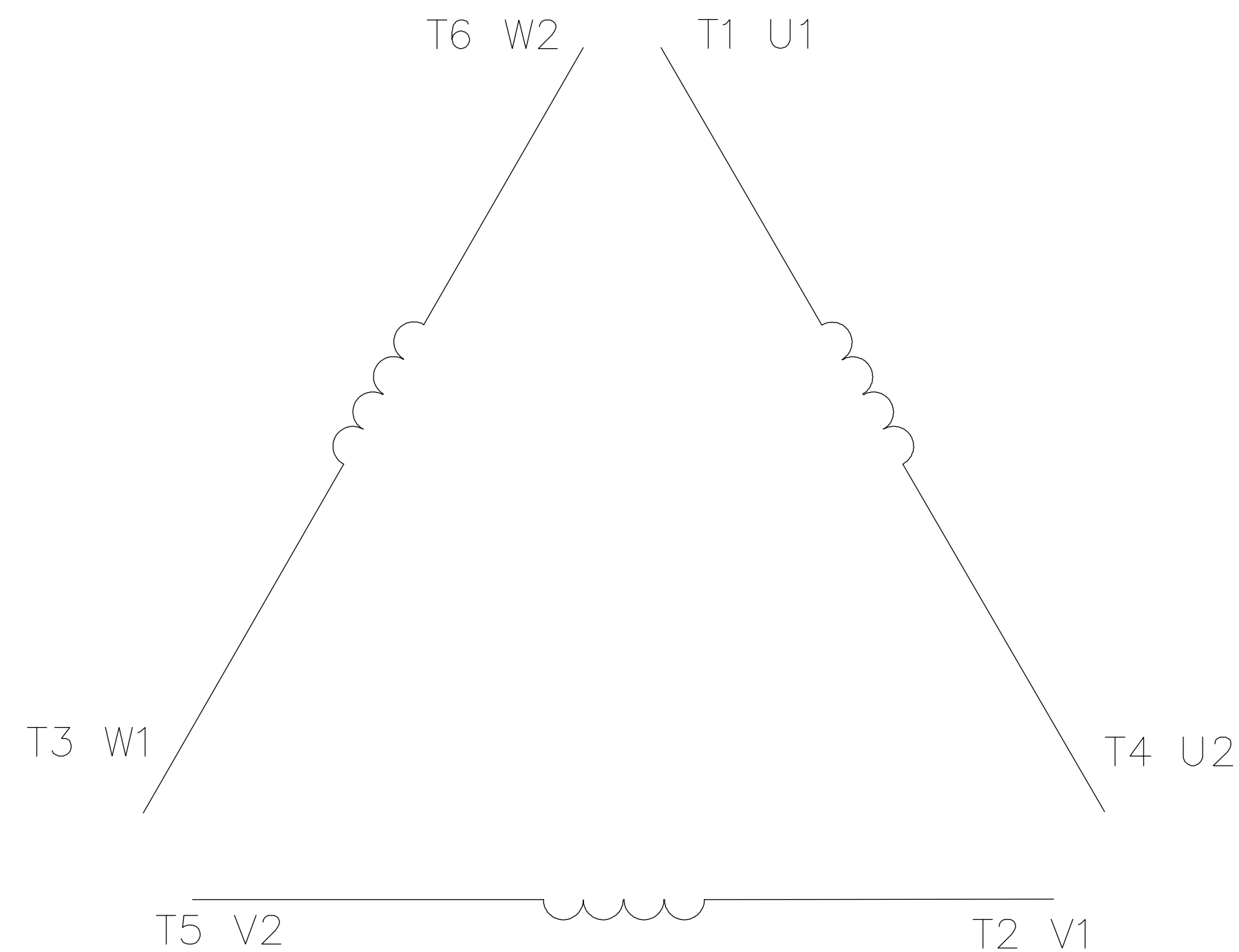
		TOLERANCES UNLESS SPECIFIED			ELECTRIC MOTORS GEARMOTORS AND DRIVES	DRAWN MOL 09-27-2010
		DEC.	INCHES			CHK MOL 09-27-2010
		.X	±.1	TITLE OUTLINE		APPD
		.XX	±.03	447T- 6W2-ODP-HEBEI		SCALE 1=15
		.XXX	±.005	MAT'L.		REF 171577
		.XXXX	±.0005	FINISH		FMF
NO.	REVISION	BY & DATE	CHK	ANG	±1/2'	PREV
THIS DRAWING IN DESIGN AND DETAIL IS OUR PROPERTY AND MUST NOT BE USED EXCEPT IN CONNECTION WITH OUR WORK ALL RIGHTS OF DESIGN AND INVENTION ARE RESERVED THIS IS AN ELECTRONICALLY GENERATED DOCUMENT - DO NOT SCALE THIS PRINT				RFP	CAD FILE SS622230	SIZE DRAWING NO. PAGE OF REV.
				DIST		B SS622230

005190-01



- T1 U1
- T2 V1
- T3 W1
- T4 U2
- T5 V2
- T6 W2

LINE LEADS



	L1	L2	L3	JOIN
START (WYE)	T1 U1	T2 V1	T3 U2	(T4,T5,T6) (U2,V2,W2)
RUN (DELTA)	(T1,T6) (U1,W2)	(T2,T4) (V1,U2)	(T3,T5) (W1,V2)	

				TOLERANCES UNLESS OTHERWISE SPECIFIED		LEESON ELECTRIC CORPORATION			
				DECIMALS					
04	ADDED MAT'L (CWLE) PER ECO-0168542	DS	6/10/2019			DRAWN PG 05/07/82	EXT. WIRING DIAGRAM STAR START - DELTA RUN		
03	ADDED IEC DESIGNATIONS	MOL	4/27/2012	.00	± .01	CH'K'D. TEM			
02	REMOVED OBSOLETE STATUS	KJH	6/28/99	.000	± .005	APPR. 05/07/82	MAT'L. Y-CONNECTED START (CWLE) DELTA CONNECTED RUN - SINGLE VOLTAGE		
01	REDRAWN ON CAD	DBT	05/30/97	.0000	± .0005	SCALE 1=1			
NO.	REVISION	BY	DATE	FRACTIONS	± 1/64	REF. T2E	FINISH	SIZE	DRAWING NO.
THIS DRAWING IN DESIGN AND DETAIL IS OUR PROPERTY AND MUST NOT BE USED EXCEPT IN CONNECTION WITH OUR WORK ALL RIGHTS OF DESIGN AND INVENTION ARE RESERVED				ANGLES	± 1/2'	FMF	ELECTRO POWER	A	005190-01
				INCH/MM					

EC Declaration of Conformity

The undersigned representing
the manufacturer:

Regal Beloit America
100 East Randolph St.
Wausau, WI 54401

and the authorized representative
established within the Community:

Marathon Electric UK
6F Thistleton Road Ind. Estate
Market Overton
Oakham, Rutland LE15 7PP UK

are committed to providing customers with products that comply with applicable regulations and international protocols to which they are subject, including the requirements of the European Parliament Directive on the Harmonization of the laws relating to electrical equipment designed for use within certain voltage limits (2014/35/EU).

Regal Beloit America declares that the following product(s), to which this declaration relates, are in conformity with the relevant sections of the EC standards listed below.

This statement supersedes any statements previously issued pertaining to the product(s) listed below and is subject to change without notice.

Model No : 171577.00

(Model No. may contain prefix and/or suffix characters)

Catalog No : 171577.00

Rework No : N/A

Directives :

Low Voltage Directive 2014/35/EU

Harmonized Standards Used :

EN 60034-1: 2010 (IEC 60034-1: 2010)

EN 60034-5: 2001/A1:2007 (IEC 60034-5: 2000/A1:2006)

Authorized Representative:



Michael A. Logsdon
Vice President, Technology

Authorized Representative in the Community:



Julian Clark
Marketing Engineer

Created on 09/01/2022

CE 22