

PRODUCT INFORMATION PACKET



Model No: 171525.60

Catalog No: 171525.60

WATTSaver® General Purpose Motor, 300 & 250 HP, 3 Ph, 60 & 50 Hz, 460 & 380 V, 1800 & 1500 RPM,
445T Frame, DP



Regal and Leeson are trademarks of Regal Rexnord Corporation or one of its affiliated companies.

©2023 Regal Rexnord Corporation, All Rights Reserved. MC017097E





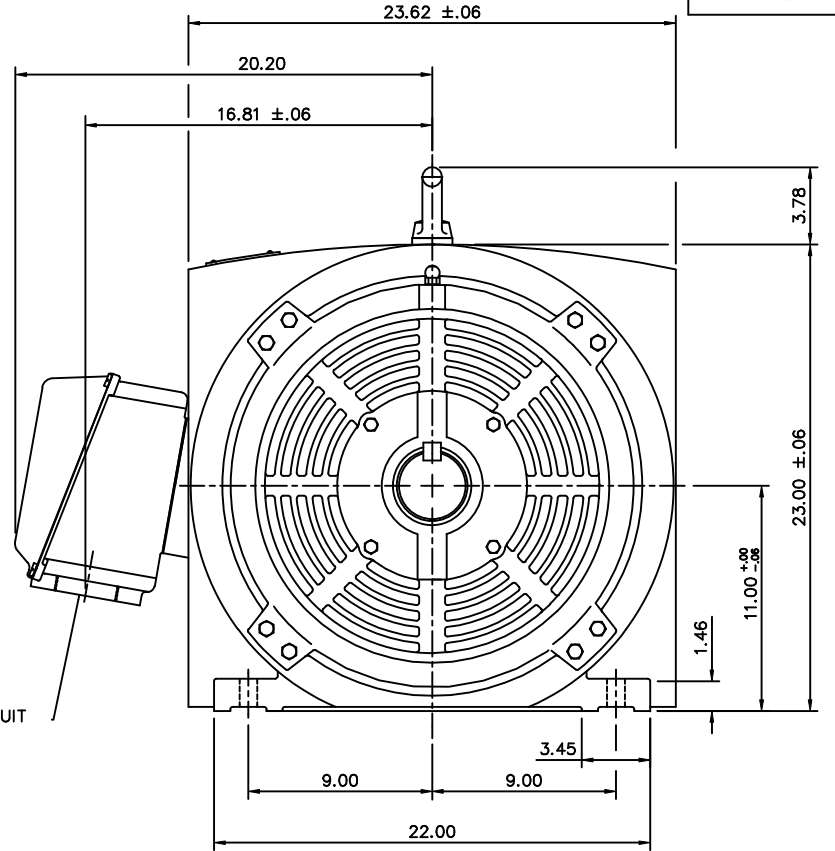
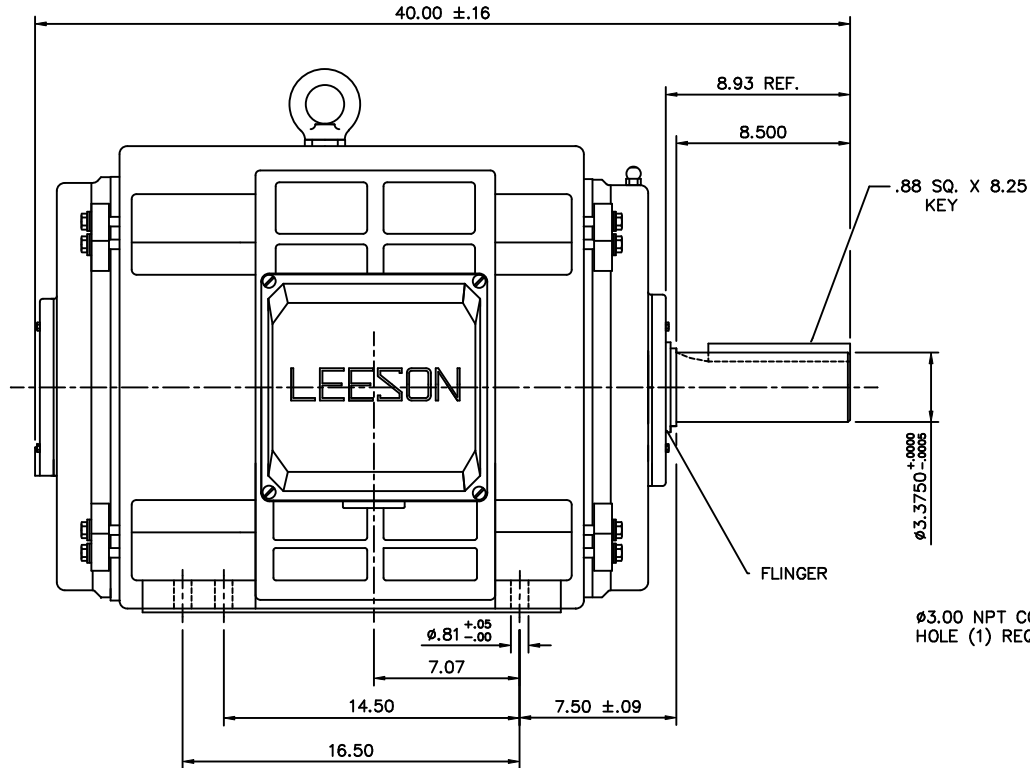
Nameplate Specifications

Phase	3	Output HP	300 & 250 Hp
Output KW	224.0 & 187.0 kW	Voltage	460 & 380 V
Speed	1786 & 1485 rpm	Service Factor	1.15 & 1.15
Frame	445T	Enclosure	Drip Proof
Thermal Protection	No Protection	Efficiency	95.8 & 95.8 %
Ambient Temperature	40 °C	Frequency	60 & 50 Hz
Current	345 & 348 A	Power Factor	84.5
Duty	Continuous	Insulation Class	F
Design Code	B	KVA Code	F
Drive End Bearing Size	6318	Opp Drive End Bearing Size	6314
UL	Recognized	CSA	Y
CE	Y	IP Code	22
Number of Speeds	1		

Technical Specifications

Electrical Type	Squirrel Cage Inverter Rated	Starting Method	Wye Start Delta Run Or Inverter
Poles	4	Rotation	Reversible
Resistance Main	.006 Ohms	Mounting	Rigid Base
Motor Orientation	Horizontal	Drive End Bearing	Ball
Opp Drive End Bearing	Ball	Frame Material	Cast Iron
Shaft Type	T	Overall Length	40.00 in
Shaft Diameter	3.375 in	Shaft Extension	8.5 in
Assembly/Box Mounting	F1/F2 CAPABLE	Inverter Load	CONSTANT 10:1
Outline Drawing	16958260	Connection Drawing	005190-03

169582-60

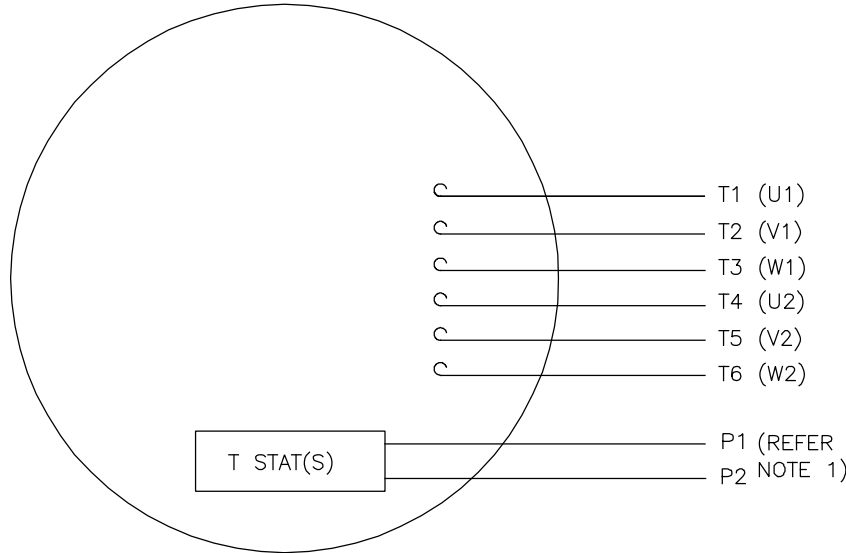


Ø3.00 NPT CONDUIT HOLE (1) REQ'D

				TOLERANCES UNLESS OTHERWISE SPECIFIED		LEESON ELECTRIC CORPORATION	
				DECIMALS		DRAWN LEM 10/01/99	
				.00 ± .03		CH'K'D. ADS 10/15/99	
				.000 ± .0005		APPR. ADS 10/15/99	
				.0000 ± 1/64		SCALE 1=6	
NO.	REVISION	BY	DATE	FRACTIONS	± 1/64	MAT'L. CAST IRON	
THIS DRAWING IN DESIGN AND DETAIL IS OUR PROPERTY AND MUST NOT BE USED EXCEPT IN CONNECTION WITH OUR WORK. ALL RIGHTS OF DESIGN AND INVENTION ARE RESERVED.				ANGLES	± 1/2°	REF.	FINISH
				INCH/MM		FMF	SIZE B

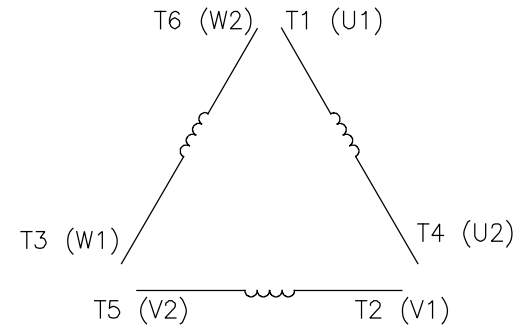
ERROR: undefined
OFFENDING COMMAND: Pscript_WinN
STACK:

VIEW FROM OUTSIDE OF MOTOR AT SWITCH END

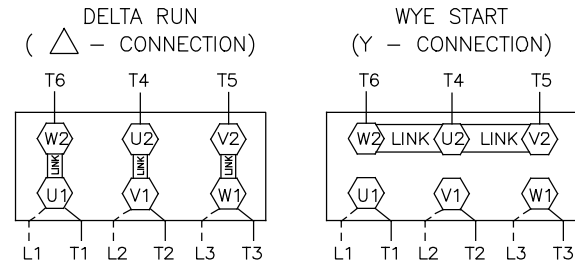


NOTE: 1. USE RED LEADS FOR LEESON CHANNEL
 2. USE 081380 DECAL FOR LB MODELS
 USE 080088 DECAL FOR MT2 MODELS

LINE LEADS



WYE-DELTA CONNECTION, SINGLE VOLTAGE



NOTE: USE TERMINAL BLOCK WHEN SPECIFIED

	L1	L2	L3	JOIN
START (WYE)	T1 U1	T2 V1	T3 U2	(T4,T5,T6) (U2,V2,W2)
RUN (DELTA)	(T1,T6) (U1,W2)	(T2,T4) (V1,U2)	(T3,T5) (W1,V2)	

DRAWING REVISION A	REVISION BY MVG	DATE 02/15/2018
ECO ECO-0139864	APPROVED BY SR	DATE 02/15/2018
ECO DESCRIPTION UPDATED PER ECO-0139864		
<small>COPYRIGHT REGAL BELOIT AMERICA, INC. ALL RIGHTS RESERVED. PROPRIETARY AND CONFIDENTIAL INFORMATION - THIS DOCUMENT IS THE PROPERTY OF REGAL BELOIT AMERICA, INC. ("OWNER") AND CONTAINS OWNER'S PROPRIETARY INFORMATION. ANY PERSON, CORPORATION OR OTHER FIRM RECEIVING IT IS DEEMED, BY RECEIVING IT, TO AGREE THAT IT, AND/OR ANY PART OF IT, SHALL NOT BE DISCLOSED TO ANY PERSON, CORPORATION OR OTHER ENTITY, DUPLICATED, AND/OR USED, EXCEPT AS EXPRESSLY APPROVED IN WRITING IN ADVANCE BY OWNER. THIS DOCUMENT SHALL BE RETURNED TO OWNER UPON REQUEST. IT MAY BE SUBJECT TO CERTAIN RESTRICTIONS UNDER APPLICABLE EXPORT CONTROL LAWS AND REGULATIONS.</small>		

TOLERANCES UNLESS OTHERWISE SPECIFIED			
DEC.	INCH	mm	ANGLE
.X	±0.1	[±2.5]	±0.5°
.XX	±0.02	[±0.51]	
.XXX	±0.005	[±0.127]	
.XXXX	±0.0005	[±0.0127]	
REMOVE BURRS & BREAK SHARP EDGES .003/.015 [0.076/.381]			
CORNER FILLETS .02 [51]			
MACHINED SURFACES $\sqrt{125}$ INCH $\sqrt{3.2}$ mm			
mm SHOWN IN [BRACKETS]			

DRAWN BY: SL	DATE: 08/20/15
APPROVED BY: CD	DATE: 08/20/15
REFERENCE 005190-01	THIRD ANGLE PROJECTION

Regal Beloit America, Inc.	
DESCRIPTION EXT WIRING DIA SINGLE VOLTAGE STAR START- DELTA RUN	
MATERIAL REFER NOTE 2	PROCESS/FINISH .
SIZE DWG NO A 005190-03	SHEET 1

P.O. BOX 8003
 WAUSAU, WI 54401-8003
 PH. 715-675-3311



DATA VOLTS: 460

CERTIFICATION DATA SHEET

CONN. DIAGRAM: 005190-03
 OUTLINE: 16958260
 WINDING: T22804031

CAT #: 171525.60

NONE 1

TYPICAL MOTOR PERFORMANCE DATA

HP	KW	SYNC RPM	FL RPM	FRAME	ENCLOSURE	TYPE	KVA CODE	DESIGN
300	224	1800	1786	445T	DP	TDC	F	B

PH	HZ	VOLTS	AMPS	START TYPE	DUTY	INSL	S.F.	AMB	ELEV.
3	60/50	460#380	345&348	START D RUN OR INV	CONT	F	1.15	40	3300

F.L. EFF	95.8	3/4 LD EFF	95.8	1/2 LD EFF	95.4	GTD EFF	95.4	ELECT. TYPE
F.L. PF	84.5	3/4 LD PF	83.0	1/2 LD PF	77.0	95.4		SQ CAGE INV RATED

F.L. TORQUE	LR AMPS @ 460 V	L.R. TORQUE	B.D. TORQUE	F.L. RISE (°C)
882 LB-FT	1,975	1,475 LB-FT 167%	2,040 LB-FT 231%	60

PRESSURE @ 3	POWER	ROTOR WK²	MAX. LOAD WK²	SAFE STALL TIME	STARTS/HOUR	MOTOR WGT
85 dBA	94 dBA	0.00 LB-FT²	0 LB-FT²	15 SEC.	1	0 LB.

*** SUPPLEMENTAL INFORMATION ***

DE BRACKET TYPE	ODE BRACKET TYPE	MOUNT TYPE	MOTOR ORIENTATION	SEVERE DUTY	HAZARDOUS LOCATION	DRIP COVER	SCREENS	PAINT
STANDARD	STANDARD	RIGID	HORIZONTAL	NO	NONE	NO	NONE	IN - LEESON WATTS

BEARINGS		GREASE	SHAFT TYPE	SPECIAL DE	SPECIAL ODE	SHAFT MATERIAL	FRAME MATERIAL
DE	ODE						
BALL	BALL	POLYREX EM	T	NONE	NONE	1045 HOT ROLLED (C-204)	CAST IRON
6318	6314						

THERMOSTATS	PROTECTORS	WDG RTD's	BRG RTD's	THERMISTORS	CONTROL	SPACE HEATERS
TSTATS (N/C)	NOT	NONE	NONE	NONE	FALSE	NA

R1 (ohms/ph)	R2 (ohms/ph)	X1 (ohms/ph)	X2 (ohms/ph)	Xm (ohms/ph)	VIBRATION (in/sec)	FLOAT
0	0	0	0	0	0.080	ODE

* N O T E S *	INVERTER TORQUE: CONSTANT 10:1 INV. HP SPEED RANGE: NONE	
	ENCODER: NONE NONE NONE	
	NONE PPR	
	BRAKE: NONE NONE NONE	
	FT-LB: NA VOLTAGE: NONE HZ:	

DATE: 1/19/2018	UL: Y-(LEESON UL REC)
-----------------	-----------------------

Data Sheet

Date: 1/19/2018

171525.60



Data @ 460 V

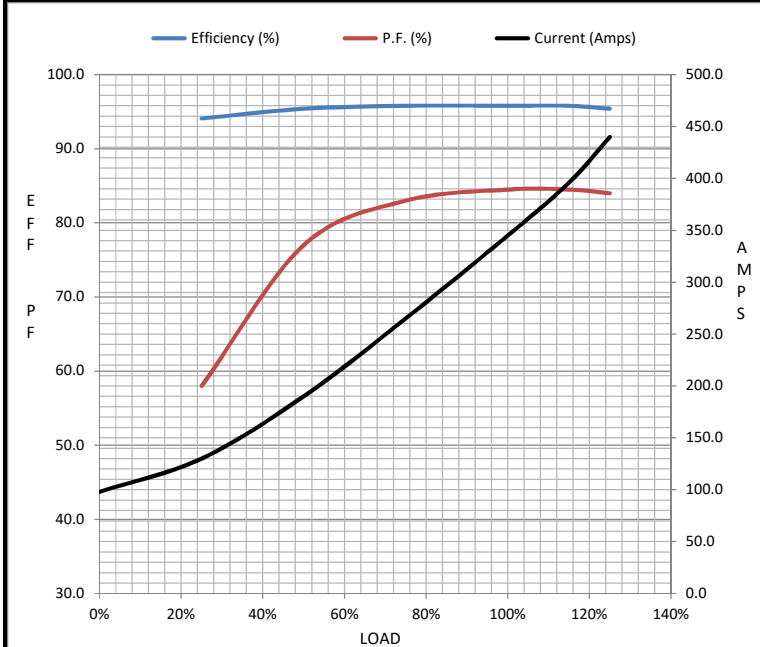
Motor Load Data

Load	0%	25%	50%	75%	100%	115%	125%	LR
Current (Amps)	98.0	130	190	265	345	396	440	1,975
Torque (ft-lb)	0.00	220	440	661	882	1,016	1,105	1,475
RPM	1800	1798	1795	1790	1786	1,784	1782	0
Efficiency (%)		94.1	95.4	95.8	95.8	95.8	95.4	
P.F. (%)	4.0	58.0	77.0	83.0	84.5	84.5	84.0	30.0

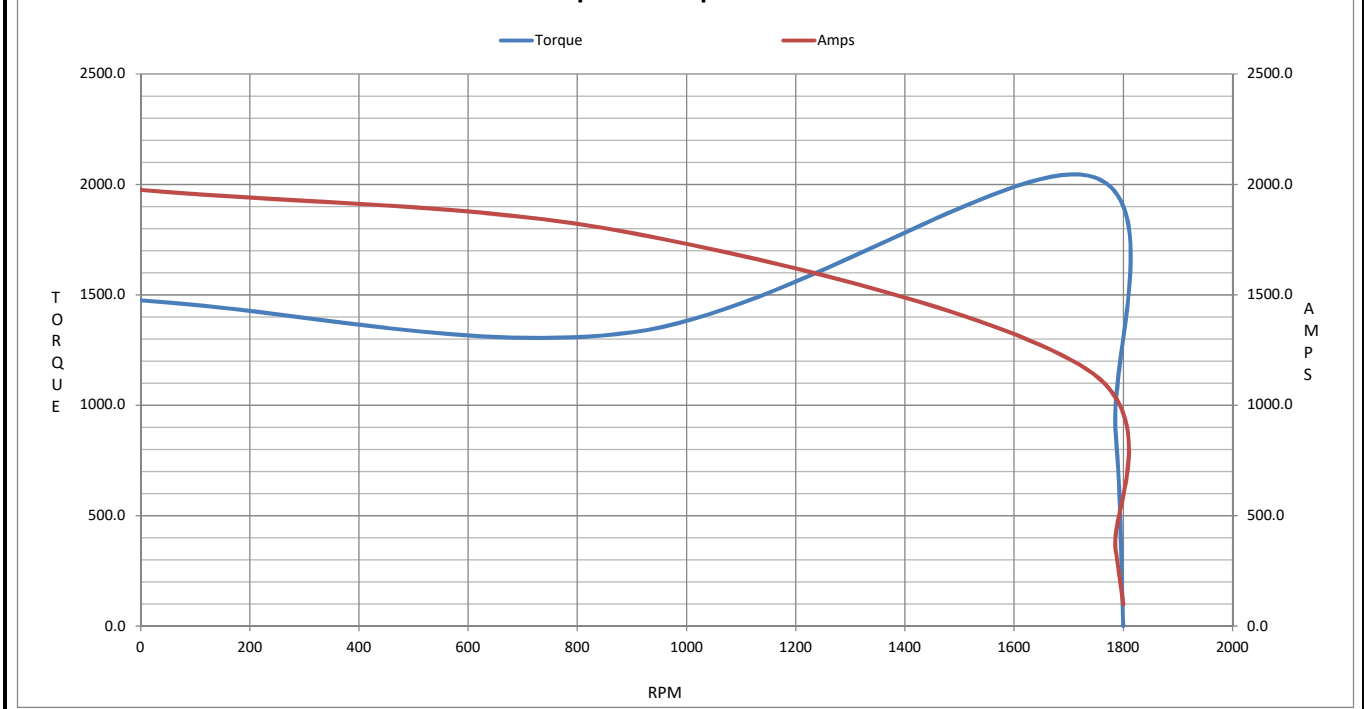
Motor Speed Data

	LR	Pull-Up	BD	Rated	Idle
Speed (RPM)	0	900	1735	1786	1800
Current (Amps)	1,975	1,780	1,160	345	98.0
Torque (ft-lb)	1,475	1,330	2,040	882	0.00

Information Block				
HP	300.0			
Sync. RPM	1800			
Frame	445			
Enclosure	DP			
Construction	TDC			
Voltage	460#380 V			
Frequency	60 Hz			
Design	B			
LR Code letter	F			
Service Factor	1.15			
Temp Rise @ FL	60 °C			
Duty	CONT			
Ambient	40 °C			
Elevation	1,000 feet			
Rotor/Shaft wk ²	0.00 Lb-Ft ²			
Ref Wdg	T22804031 NONE			
Sound Pressure @ 1M	85 dBA			
VFD Rating	CONSTANT 10:1			
Outline Dwg	16958260			
Conn. Diag	005190-03			
Additional Specifications:				
0				
0				
EQUIV CKT (OHMS / PHASE)				
R1	R2	X1	X2	Xm
0.0000	0.0000	0.0000	0.0000	0.0000



Speed - Torque Curve



EC Declaration of Conformity

The undersigned representing
the manufacturer:

Regal Beloit America
100 East Randolph St.
Wausau, WI 54401

and the authorized representative
established within the Community:

Marathon Electric UK
6F Thistleton Road Ind. Estate
Market Overton
Oakham, Rutland LE15 7PP UK

are committed to providing customers with products that comply with applicable regulations and international protocols to which they are subject, including the requirements of the European Parliament Directive on the Harmonization of the laws relating to electrical equipment designed for use within certain voltage limits (2014/35/EU).

Regal Beloit America declares that the following product(s), to which this declaration relates, are in conformity with the relevant sections of the EC standards listed below.

This statement supersedes any statements previously issued pertaining to the product(s) listed below and is subject to change without notice.

Model No : 171525.60

(Model No. may contain prefix and/or suffix characters)

Catalog No : 171525.60

Rework No : N/A

Directives :

Low Voltage Directive 2014/35/EU

Harmonized Standards Used :

EN 60034-1: 2010 (IEC 60034-1: 2010)

EN 60034-5: 2001/A1:2007 (IEC 60034-5: 2000/A1:2006)

Authorized Representative:



Michael A. Logsdon
Vice President, Technology

Authorized Representative in the Community:



Julian Clark
Marketing Engineer

Created on 09/01/2022

CE 22