

PRODUCT INFORMATION PACKET



Model No: 171349.60
Catalog No: 171349.60
General Purpose Motor, 15 & 10 HP, 3 Ph, 60 & 50 Hz, 230/460 & 190/380 V, 3600 & 3000 RPM,
215TC Frame, TEFC



Regal and Leeson are trademarks of Regal Rexnord Corporation or one of its affiliated companies.
©2023 Regal Rexnord Corporation, All Rights Reserved. MC017097E





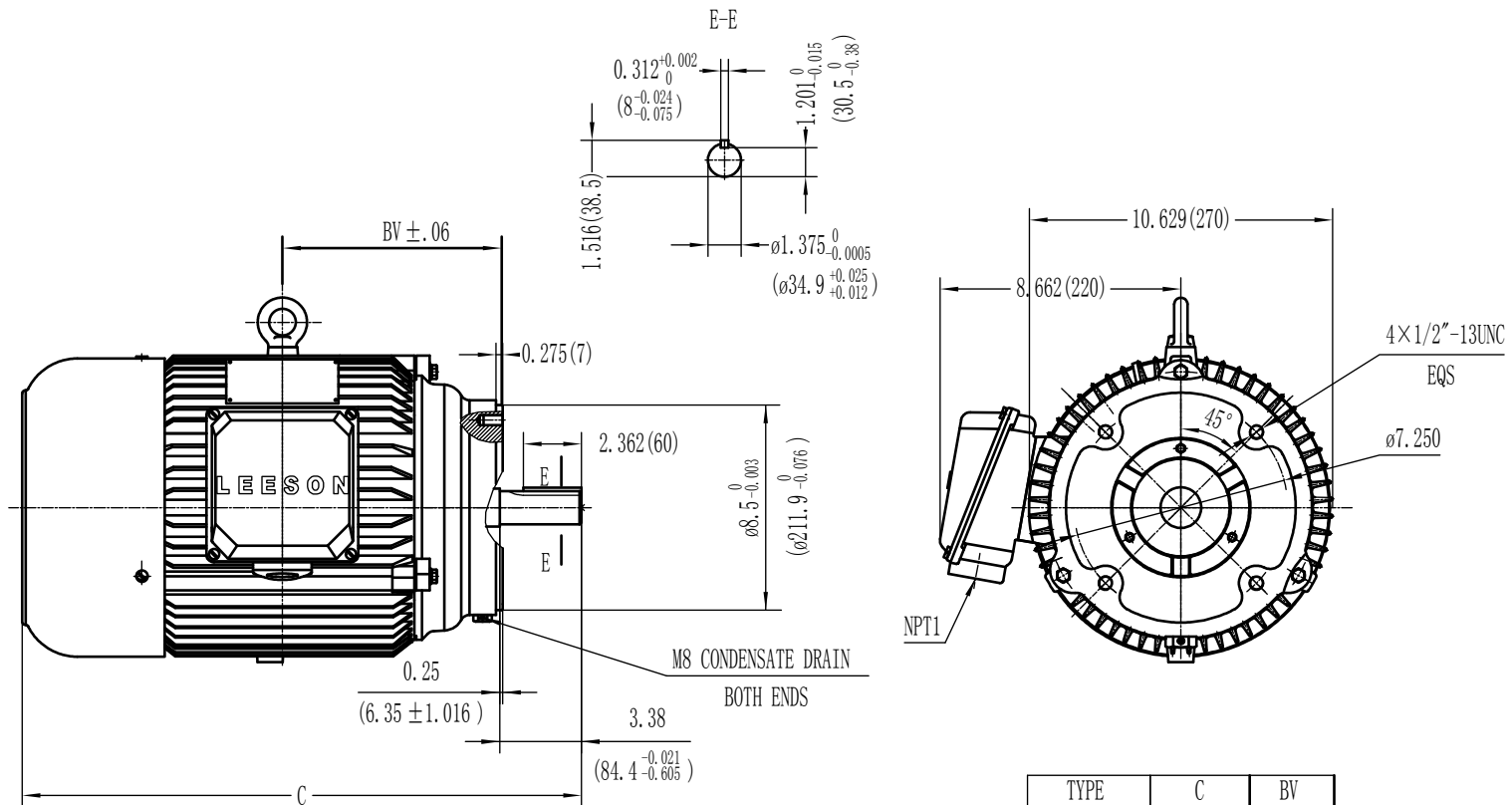
Nameplate Specifications

Phase	3	Output HP	15 & 10 Hp
Output KW	11.2 & 7.5 kW	Voltage	230/460 & 190/380 V
Speed	3520 & 2945 rpm	Service Factor	1.15 & 1.15
Frame	215TC	Enclosure	Totally Enclosed Fan Cooled
Thermal Protection	No Protection	Efficiency	91.7 & 91.7 %
Ambient Temperature	40 °C	Frequency	60 & 50 Hz
Current	35/17.5 & 29/14.5 A	Power Factor	88.5
Duty	Continuous	Insulation Class	F
Design Code	B	KVA Code	G
Drive End Bearing Size	6308	Opp Drive End Bearing Size	6306
UL	Recognized	CSA	Y
CE	Y	IP Code	55
Number of Speeds	1		

Technical Specifications

Electrical Type	Squirrel Cage Inverter Rated	Starting Method	Line Or Inverter
Poles	2	Rotation	Reversible
Resistance Main	.5505 Ohms	Mounting	Round
Motor Orientation	Horizontal	Drive End Bearing	Ball
Opp Drive End Bearing	Ball	Frame Material	Cast Iron
Shaft Type	T	Overall Length	20.36 in
Shaft Diameter	1.375 in	Shaft Extension	3.38 in
Assembly/Box Mounting	F1/F2 CAPABLE		
Outline Drawing	SS620765	Connection Drawing	5010.20

SS620765



TYPE	C	BV
213T	18.855	7.25
215T	20.355	8.00

		TOLERANCES UNLESS SPECIFIED		REGAL Regal-Beloit Corporation		DRAWN			
		DEC.	INCHES			CHK			
		.X	±.1			APPD			
		.XX	±.03	TITLE		SCALE	NONE		
B	REVISED TABLE ECO-0111323	WGJ 10-17-16	EMH .XXX ±.005	OUTLINE		REF			
A	RELEASED FOR PRODUCTION ECO-0109530	WGJ 09-15-16	EMH .XXXX ±.0005	N215TC-2 15HP L/B		FMF			
NO.	REVISION	BY & DATE	CHK ANG ±1/2	FINISH		PREV			
THIS DRAWING IN DESIGN AND DETAIL IS OUR PROPERTY AND MUST NOT BE USED EXCEPT IN CONNECTION WITH OUR WORK. ALL RIGHTS OF DESIGN AND INVENTION ARE RESERVED. THIS IS AN ELECTRONICALLY GENERATED DOCUMENT - DO NOT SCALE THIS PRINT.				RFP	CAD FILE	SS620765	SIZE	DRAWING NO.	REV.
				DIST			B	SS620765	B



1051 CHEYENNE AVE.
GRAFTON, WI 53024
PH. 262-277-8810

DATA VOLTS: 460

CERTIFICATION DATA SHEET

CONN. DIAGRAM: 5010.20
OUTLINE: SS620765
WINDING: T10702023

CAT #: 171349.60

NONE 3

TYPICAL MOTOR PERFORMANCE DATA

HP	KW	SYNC RPM	FL RPM	FRAME	ENCLOSURE	TYPE	KVA CODE	DESIGN
15	11.2	3600	3520	215TC	TEFC	TFC	G	B

PH	HZ	VOLTS	AMPS	START TYPE	DUTY	INSL	S.F.	AMB	ELEV.
3	60/50	230/460#190/380	35/17.5&29/14.5	LINE OR INVERTER	CONT	F	1.15	40	3300

F.L. EFF	91.7	3/4 LD EFF	92.4	1/2 LD EFF	92.4	GTD EFF	ELECT. TYPE
F.L. PF	88.5	3/4 LD PF	83.5	1/2 LD PF	76.0	91.0	SQ CAGE INV RATED

F.L. TORQUE	LR AMPS @ 460 V	L.R. TORQUE	B.D. TORQUE	F.L. RISE (° C)
22.3 LB-FT	116	42.0 LB-FT 188%	68.0 LB-FT 305%	60

PRESSURE @ 3	SOUND	POWER	ROTOR WK²	MAX. LOAD WK²	SAFE STALL TIME	STARTS/HOUR	MOTOR WGT
68 dBA	77 dBA		0.00 LB-FT²	0 LB-FT²	20 SEC.	2	185 LB.

***** SUPPLEMENTAL INFORMATION *****

DE BRACKET TYPE	ODE BRACKET TYPE	MOUNT TYPE	MOTOR ORIENTATION	SEVERE DUTY	HAZARDOUS LOCATION	DRIP COVER	SCREENS	PAINT
C-FACE	STANDARD	ROUND	HORIZONTAL	UM SEVERE	NONE	NO	NONE	WATTSAVER

BEARINGS		GREASE	SHAFT TYPE	SPECIAL DE	SPECIAL ODE	SHAFT MATERIAL	FRAME MATERIAL
DE	ODE	POLYREX EM	T	NONE	NONE	1045 HOT ROLLED (C-204)	CAST IRON
BALL	BALL						
6308	6306						

THERMOSTATS	PROTECTORS	WDG RTD's	BRG RTD's	THERMISTORS	CONTROL	SPACE HEATERS
TSTATS (N/C)	NOT	NONE	NONE	NONE	FALSE	NA

R1 (ohms/ph)	R2 (ohms/ph)	X1 (ohms/ph)	X2 (ohms/ph)	Xm (ohms/ph)	VIBRATION (in/sec)	FLOAT
0	0	0	0	0	0.080	ODE

* N O T E S *	INVERTER TORQUE: CONSTANT 10:1 INV. HP SPEED RANGE: NONE	
	ENCODER: NONE NONE NONE	
	BRAKE: NONE NONE NONE	
	FT-LB: NA VOLTAGE: NONE	
	NONE PPR	

DATE:	9/11/2018	UL: Y-(LEESON UL REC)
-------	-----------	-----------------------

Data Sheet

Date: 9/11/2018

171349.60



Data @ **460 V**

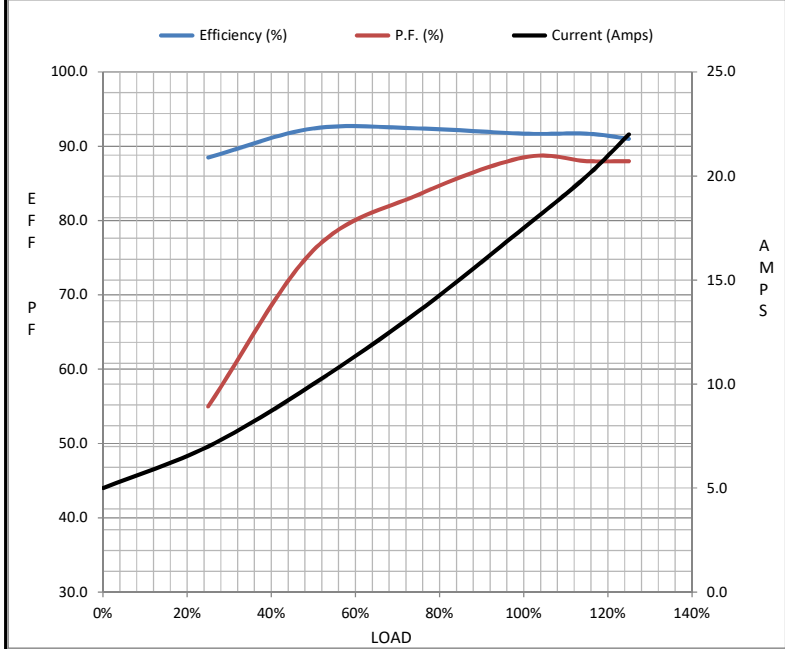
Motor Load Data

Load	0%	25%	50%	75%	100%	115%	125%	LR
Current (Amps)	5.0	7.0	10.0	13.5	17.5	20.0	22.0	116
Torque (ft-lb)	0.00	5.5	11.0	16.7	22.3	25.9	28.2	42.0
RPM	3600	3580	3565	3545	3520	3,515	3500	0
Efficiency (%)		88.5	92.4	92.4	91.7	91.7	91.0	
P.F. (%)	7.0	55.0	76.0	83.5	88.5	88.0	88.0	0.0

Motor Speed Data

	LR	Pull-Up	BD	Rated	Idle
Speed (RPM)	0	1800	3100	3520	3600
Current (Amps)	116	107	79.5	17.5	5.0
Torque (ft-lb)	42.0	45.5	68.0	22.3	0.00

Information Block				
HP	15.0			
Sync. RPM	3600			
Frame	215			
Enclosure	TEFC			
Construction	TFC			
Voltage	230/460#190/380 V			
Frequency	60 Hz			
Design	A			
LR Code letter	G			
Service Factor	1.15			
Temp Rise @ FL	60 ° C			
Duty	CONT			
Ambient	40 ° C			
Elevation	1,000 feet			
Rotor/Shaft wk ²	0.00 Lb-Ft ²			
Ref Wdg	T10702023 NONE			
Sound Pressure @ 1M	68 dBA			
VFD Rating	CONSTANT 10:1			
Outline Dwg	SS620765			
Conn. Diag	5010.20			
Additional Specifications:				
0				
0				
EQUIV CKT (OHMS / PHASE)				
R1	R2	X1	X2	Xm
0.0000	0.0000	0.0000	0.0000	0.0000



Speed - Torque Curve

