

PRODUCT INFORMATION PACKET



Model No: 171449.60

Catalog No: 171449.60

WATTSaver® General Purpose Motor, 150 & 125 HP, 3 Ph, 60 & 50 Hz, 460 & 380 V, 3600 & 3000 RPM,
405TS Frame, DP



Regal and Leeson are trademarks of Regal Rexnord Corporation or one of its affiliated companies.

©2023 Regal Rexnord Corporation, All Rights Reserved. MC017097E



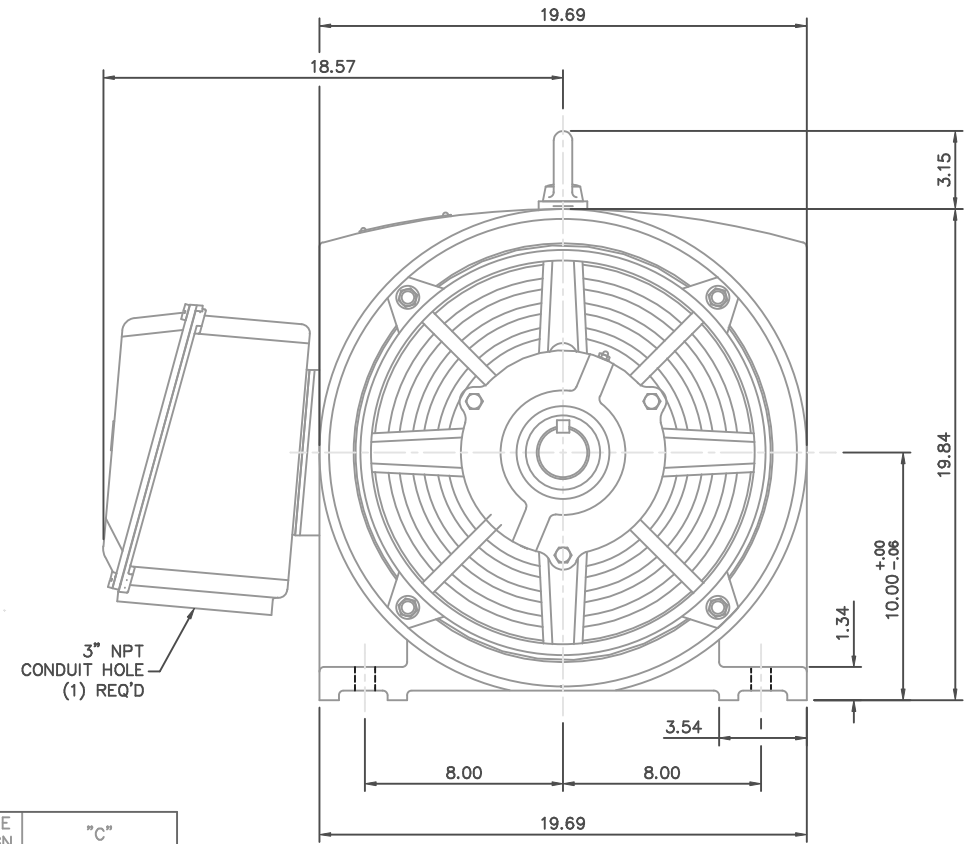
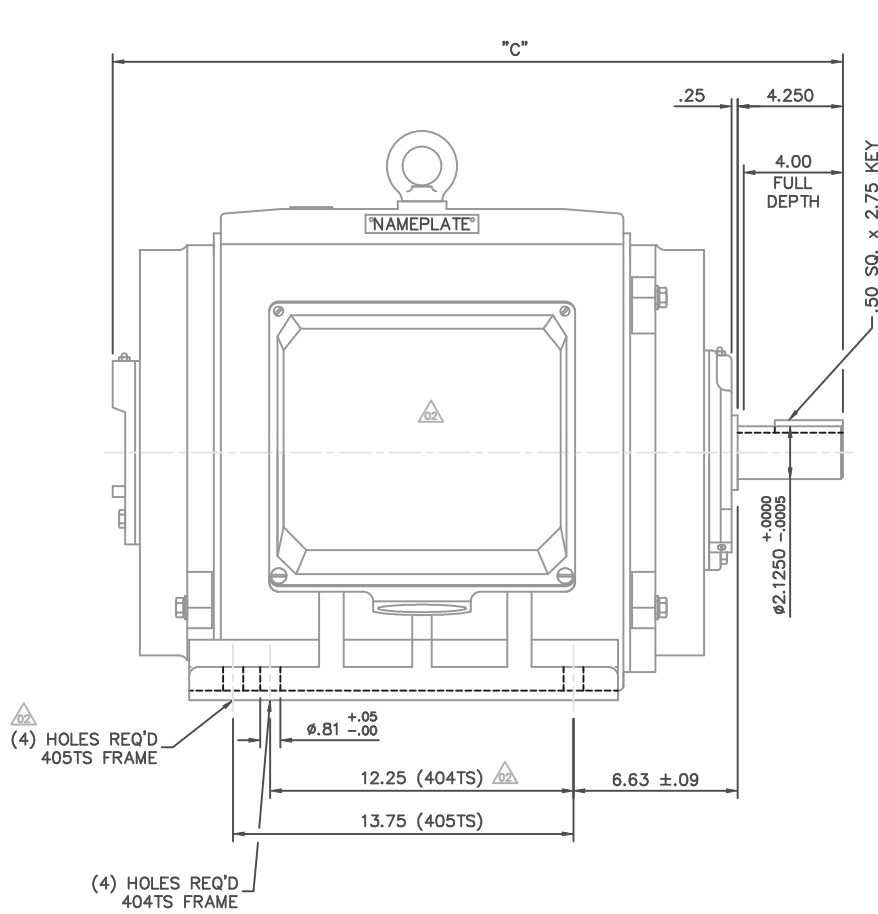


Nameplate Specifications

Phase	3	Output HP	150 & 125 Hp
Output KW	112.0 & 93.0 kW	Voltage	460 & 380 V
Speed	3560 & 2950 rpm	Service Factor	1.15 & 1.15
Frame	405TS	Enclosure	Drip Proof
Thermal Protection	No Protection	Efficiency	94.5 %
Ambient Temperature	40 °C	Frequency	60 & 50 Hz
Current	169 & 171 A	Power Factor	87.5
Duty	Continuous	Insulation Class	F
Design Code	B	KVA Code	F
Drive End Bearing Size	6316	Opp Drive End Bearing Size	6314
UL	Recognized	CSA	Y
CE	Y	IP Code	22
Number of Speeds	1		

Technical Specifications

Electrical Type	Squirrel Cage Inverter Rated	Starting Method	Wye Start Delta Run Or Inverter
Poles	2	Rotation	Reversible
Resistance Main	.0298 Ohms	Mounting	Rigid Base
Motor Orientation	Horizontal	Drive End Bearing	Ball
Opp Drive End Bearing	Ball	Frame Material	Cast Iron
Shaft Type	TS	Overall Length	31.26 in
Shaft Diameter	2.125 in	Shaft Extension	4.25 in
Assembly/Box Mounting	F1 ONLY		
Outline Drawing	16955960	Connection Drawing	005190.01

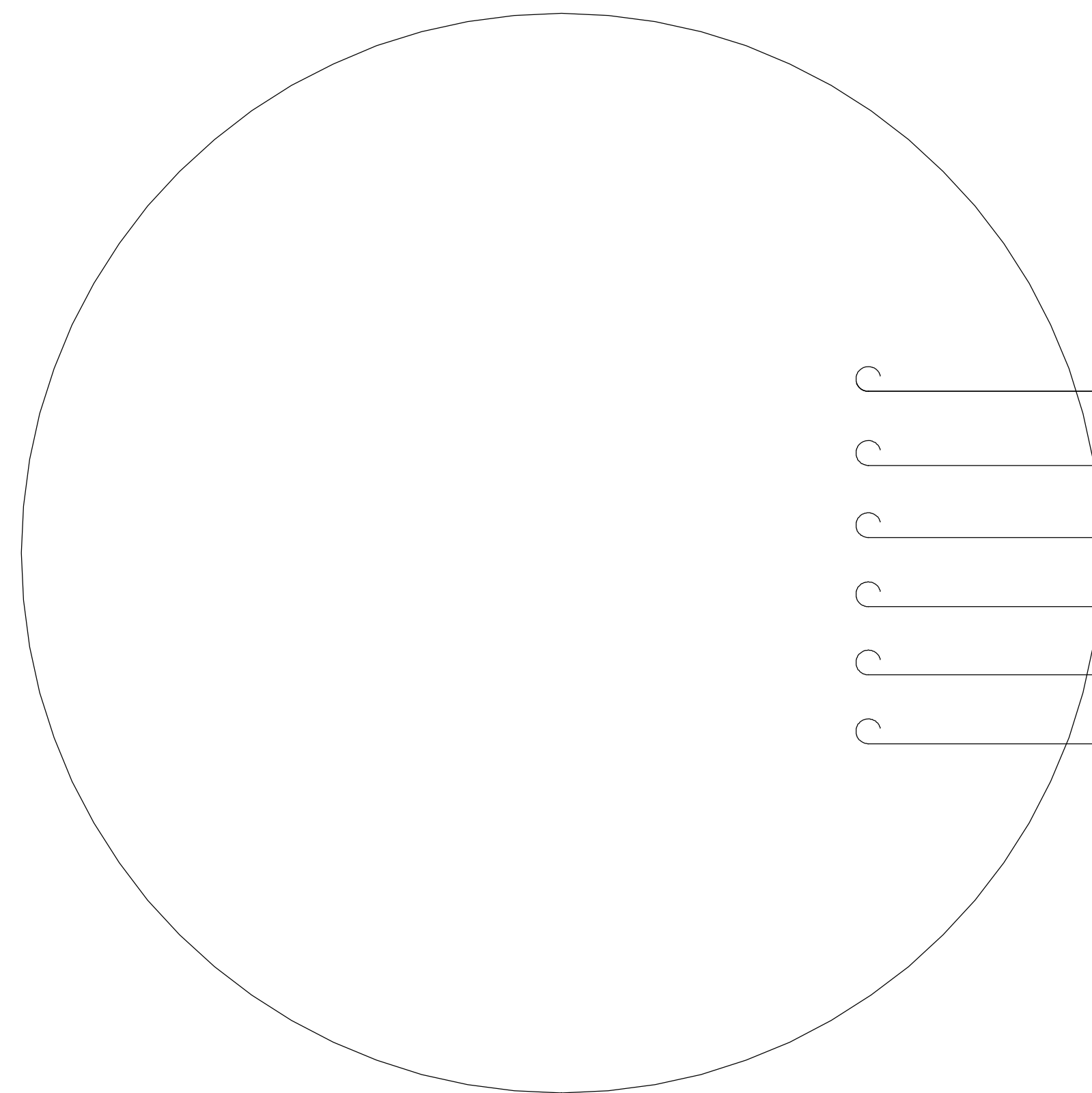


FRAME DESIGN	"C"
404TS	29.76
405TS	31.26

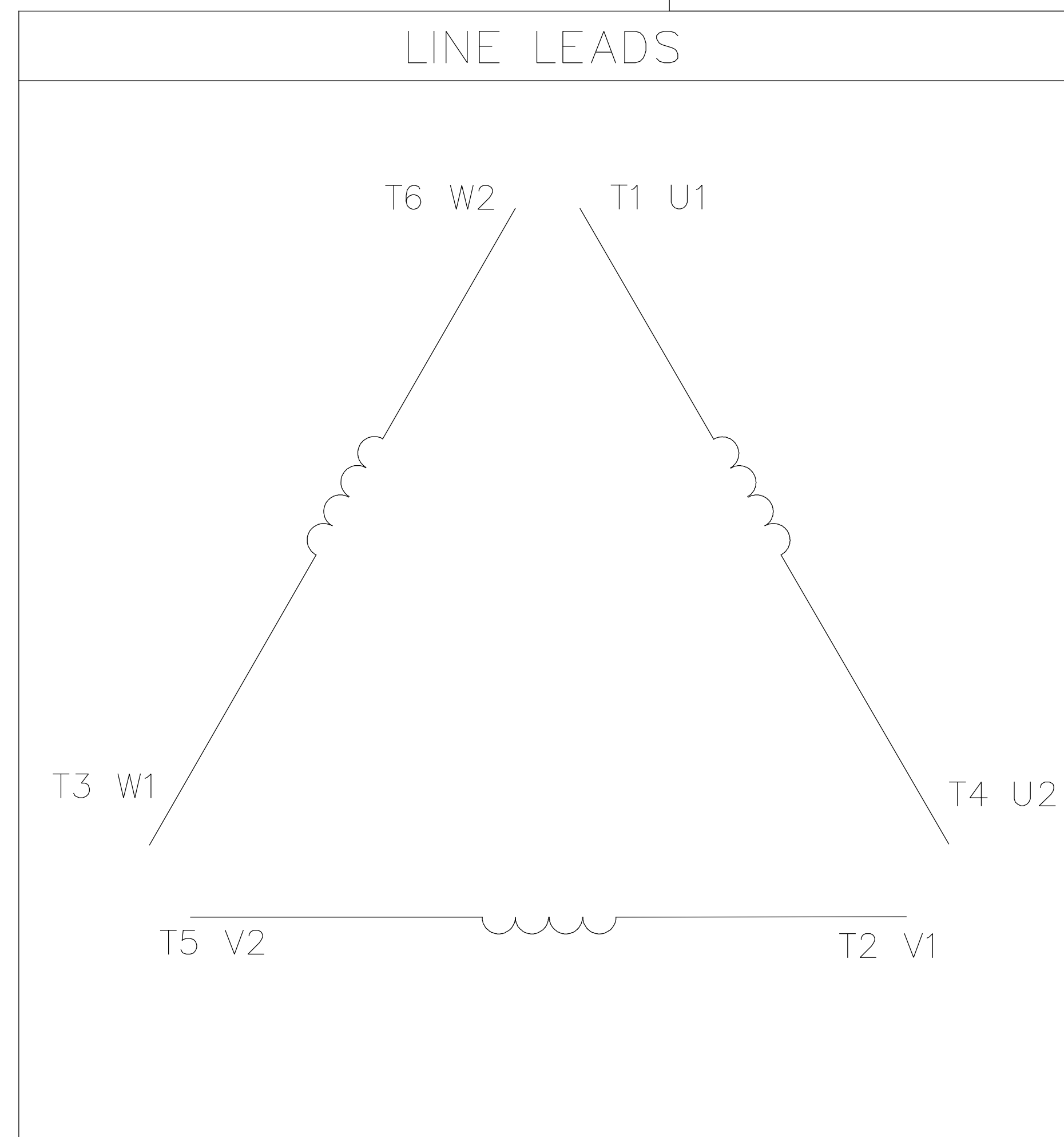
			TOLERANCES UNLESS SPECIFIED		LEESON	ELECTRIC MOTORS GEARMOTORS AND DRIVES	DRAWN			
			DEC.	INCHES			JJK	04/06/99		
			.X	±.1			CHK	JK	04/06/99	
			.XX	±.01	TITLE	OUTLINE-400TS FRAME DRIP PROOF- RIGID	APPD	PG	04/07/99	
02	405TS FRAME WAS 6 HOLES & REMOVE LEESON LOGO	LST	.XXX	±.005			SCALE			
01	ADDED HOLES FOR 405TS BASE	JJK	.XXXX	±.0005	MAT'L	CAST IRON	REF		169520	
NO.	REVISION	BY & DATE	CHK	ANG	±1/2"	FINISH	PREV			
THIS DRAWING IN DESIGN AND DETAIL IS OUR PROPERTY AND MUST NOT BE USED EXCEPT IN CONNECTION WITH OUR WORK ALL RIGHTS OF DESIGN AND INVENTION ARE RESERVED THIS IS AN ELECTRONICALLY GENERATED DOCUMENT - DO NOT SCALE THIS PRINT						RFP	CAD FILE	16955960	SIZE	DRAWING NO.
						DIST		B	169559-60	REV.
										02

005190-01

LINE LEADS



- T1 U1
- T2 V1
- T3 W1
- T4 U2
- T5 V2
- T6 W2



	L1	L2	L3	JOIN
START (WYE)	T1 U1	T2 V1	T3 U2	(T4, T5, T6) (U2, V2, W2)
RUN (DELTA)	(T1, T6) (U1, W2)	(T2, T4) (V1, U2)	(T3, T5) (W1, V2)	

				TOLERANCES UNLESS OTHERWISE SPECIFIED		LEESON ELECTRIC CORPORATION			
				DECIMALS					
04	ADDED MAT'L (CWLE) PER ECO-0168542	DS	6/10/2019			DRAWN PG 05/07/82	EXT. WIRING DIAGRAM STAR START - DELTA RUN		
03	ADDED IEC DESIGNATIONS	MOL	4/27/2012	.00	± .01	CH'K'D. TEM			
02	REMOVED OBSOLETE STATUS	KJH	6/28/99	.000	± .005	APPR. 05/07/82	MAT'L. Y-CONNECTED START (CWLE) DELTA CONNECTED RUN - SINGLE VOLTAGE		
01	REDRAWN ON CAD	DBT	05/30/97	.0000	± .0005	SCALE 1=1			
NO.	REVISION	BY	DATE	FRACTIONS	± 1/64	REF. T2E	FINISH	SIZE	DRAWING NO.
THIS DRAWING IN DESIGN AND DETAIL IS OUR PROPERTY AND MUST NOT BE USED EXCEPT IN CONNECTION WITH OUR WORK ALL RIGHTS OF DESIGN AND INVENTION ARE RESERVED				ANGLES	± 1/2'	FMF	ELECTRO POWER	A	005190-01
				INCH/MM					



CERTIFICATION DATA SHEET

**1051 CHEYENNE AVE.
GRAFTON, WI 53024
PH. 262-377-8810**

CONN. DIAGRAM: 005190.01

CATALOG #: 171449.60

OUTLINE: 16955960

MOUNTING: F1 ONLY

WINDING #: T19602011 DR 3 A

TYPICAL MOTOR PERFORMANCE DATA

HP	kW	SYNC. RPM	F.L. RPM	FRAME	ENCLOSURE	KVA CODE	DESIGN
150&125	112&93.0	3600	3560&2950	405TS	DP	F	B

PH	Hz	VOLTS	AMPS	START TYPE	DUTY	INSL	S.F.	AMB°C
3	60/50	460&380	169&171	Y START D RUN OR INV	CONTINUOUS	F5	1.15/1.15	40

FULL LOAD EFF:	94.5	3/4 LOAD EFF:	95	1/2 LOAD EFF:	95	GTD. EFF		ELEC. TYPE	
FULL LOAD PF:	87.5	3/4 LOAD PF:	87	1/2 LOAD PF:	82.5	93		SQ CAGE INV RATED	

F.L. TORQUE	LOCKED ROTOR AMPS	L.R. TORQUE	B.D. TORQUE	F.L. RISE°C
221.5 LB-FT	935	320 LB-FT 144 %	519 LB-FT 234 %	0

SOUND PRESSURE @ 3 FT.	SOUND POWER	ROTOR WK^2	MAX. WK^2	SAFE STALL TIME	STARTS / HOUR	APPROX. MOTOR WGT
- dBA	- dBA	- LB-FT^2	- LB-FT^2	15 SEC.	2	1111 LBS.

***** SUPPLEMENTAL INFORMATION *****

DE BRACKET TYPE	ODE BRACKET TYPE	MOUNT TYPE	ORIENTATION	SEVERE DUTY	HAZARDOUS LOCATION	DRIP COVER	SCREENS	PAINT
STANDARD	STANDARD	RIGID	HORIZONTAL	FALSE	NONE	FALSE	NONE	BLUE (ENAMEL)

BEARINGS		GREASE	SHAFT TYPE	SPECIAL DE	SPECIAL ODE	SHAFT MATERIAL	FRAME MATERIAL
DE	ODE						
BALL	BALL	POLYREX EM	TS	NONE	NONE	1045 HOT ROLLED (C-204)	CAST IRON
6316	6314						

THERMO-PROTECTORS				THERMISTORS	CONTROL	SPACE HEATERS
THERMOSTATS	PROTECTORS	WDG RTDs	BRG RTDs			
NONE	NOT	NONE	NONE	NONE	FALSE	NONE VOLTS

*
N
O
T
E
S

INVERTER TORQUE: VARIABLE 10:1
INV. HP SPEED RANGE: NONE
ENCODER: NONE
NONE NONE
NONE NONE PPR
BRAKE: NONE NONE
NONE P/N NONE
NONE NONE
NONE FT-LB NONE V NONE HZ

Data Sheet

Date: 2/1/2018

171449.60



Data @ 460 V

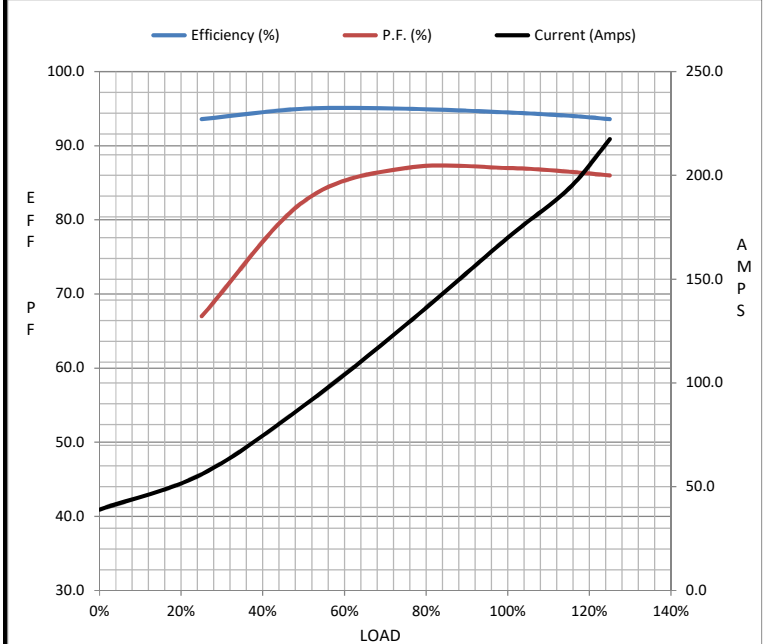
Motor Load Data

Load	0%	25%	50%	75%	100%	115%	125%	LR
Current (Amps)	39.0	56.0	89.0	128	170	194	218	935
Torque (ft-lb)	0.00	54.9	110	166	222	250	278	320
RPM	3600	3590	3580	3570	3555	3,549	3540	0
Efficiency (%)		93.6	95.0	95.0	94.5	94.1	93.6	
P.F. (%)	6.0	67.0	82.5	87.0	87.0	86.5	86.0	0.0

Motor Speed Data

	LR	Pull-Up	BD	Rated	Idle
Speed (RPM)	0	800	3385	3555	3600
Current (Amps)	935	900	550	170	39.0
Torque (ft-lb)	320	267	519	222	0.00

Information Block				
HP	150.0			
Sync. RPM	3600			
Frame	405			
Enclosure	DP			
Construction	TDC			
Voltage	460#380 V			
Frequency	60 Hz			
Design	B			
LR Code letter	F			
Service Factor	1.15			
Temp Rise @ FL	62 °C			
Duty	CONT			
Ambient	40 °C			
Elevation	1,000 feet			
Rotor/Shaft wk ²	0.00 Lb-Ft ²			
Ref Wdg	T19602011 DR			
Sound Pressure @ 1M	999 dBA			
VFD Rating	VARIABLE 10:1			
Outline Dwg	16955960			
Conn. Diag	005190.01			
Additional Specifications:				
0				
0				
EQUIV CKT (OHMS / PHASE)				
R1	R2	X1	X2	Xm
0.0000	0.0000	0.0000	0.0000	0.0000



Speed - Torque Curve

