

# PRODUCT INFORMATION PACKET



Model No: 170542.60  
Catalog No: 170542.60  
Obsolete,

replaced by 171865.60 -.30HP..1800RPM.286T.ODP.208-230/460V.3PH.60HZ.CONT.40C.1.15SF.RIGID.....

Regal and Leeson are trademarks of Regal Rexnord Corporation or one of its affiliated companies.  
©2023 Regal Rexnord Corporation, All Rights Reserved. MC017097E





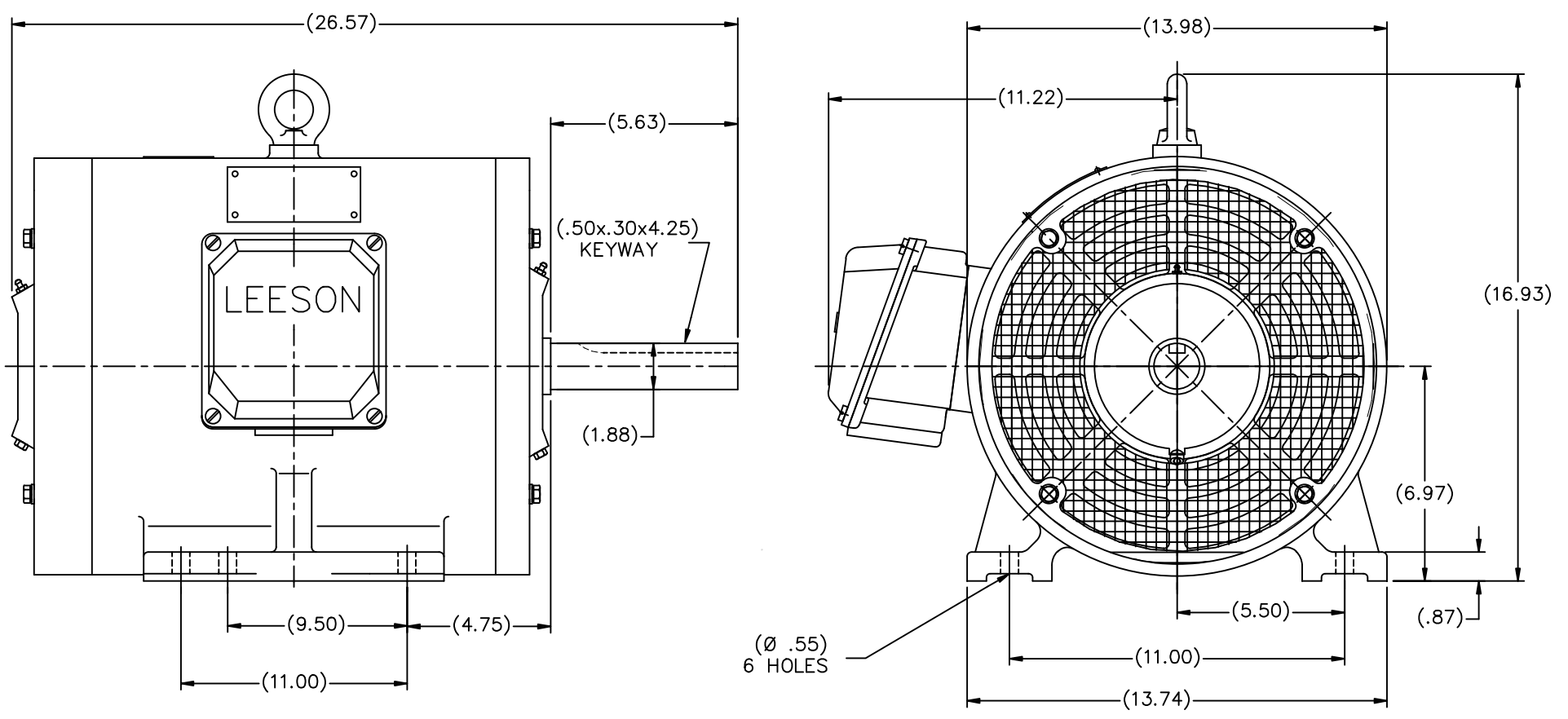
**Nameplate Specifications**

Phase	<b>3</b>	Output HP	<b>30 &amp; 25 Hp</b>
Output KW	<b>22.4 &amp; 18.7 kW</b>	Voltage	<b>208-230/460 &amp; 190/380 V</b>
Speed	<b>1780 &amp; 1480 rpm</b>	Service Factor	<b>1.15 &amp; 1.15</b>
Frame	<b>286T</b>	Enclosure	<b>Drip Proof</b>
Thermal Protection	<b>No Protection</b>	Efficiency	<b>94.1 &amp; 94.1 %</b>
Ambient Temperature	<b>40 °C</b>	Frequency	<b>60 &amp; 50 Hz</b>
Current	<b>78-71/35.5 &amp; 86/43 A</b>	Power Factor	<b>83</b>
Duty	<b>Continuous</b>	Insulation Class	<b>F</b>
Design Code	<b>B</b>	KVA Code	<b>H</b>
Drive End Bearing Size	<b>6312</b>	Opp Drive End Bearing Size	<b>6211</b>
UL	<b>Recognized</b>	CSA	<b>Y</b>
CE	<b>Y</b>	IP Code	<b>23</b>
Number of Speeds	<b>1</b>		


**Technical Specifications**

Electrical Type	<b>Squirrel Cage Inverter Rated</b>	Starting Method	<b>Wye Start Delta Run Or Inverter</b>
Poles	<b>4</b>	Rotation	<b>Reversible</b>
Resistance Main	<b>.233 Ohms</b>	Mounting	<b>Rigid Base</b>
Motor Orientation	<b>Horizontal</b>	Drive End Bearing	<b>Ball</b>
Opp Drive End Bearing	<b>Ball</b>	Frame Material	<b>Cast Iron</b>
Shaft Type	<b>T</b>	Assembly/Box Mounting	<b>F1/F2 CAPABLE</b>
Inverter Load	<b>CONSTANT 2:1</b>		
Outline Drawing	<b>SS622280</b>	Connection Drawing	<b>004172.01</b>

This is an uncontrolled document once printed or downloaded and is subject to change without notice. Date Created:06/22/2023



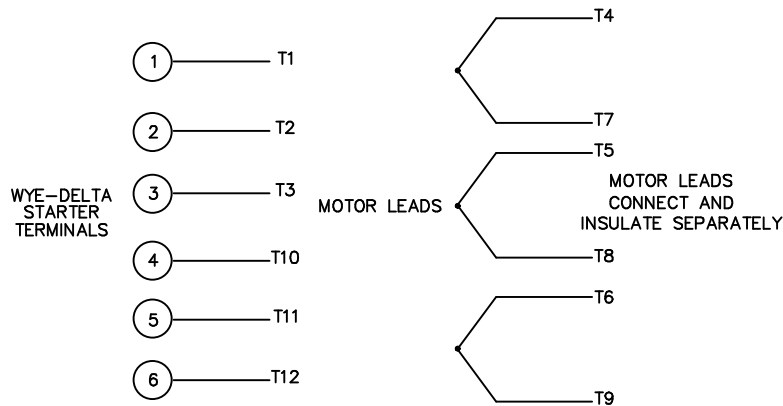
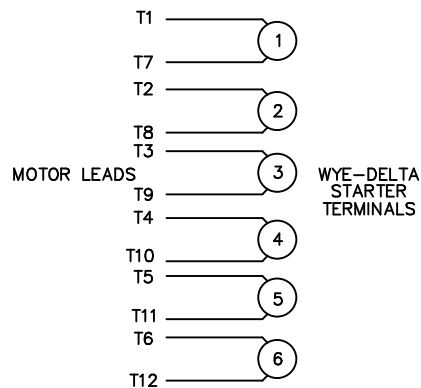
DRAWING NOT TO SCALE

		TOLERANCES UNLESS SPECIFIED		 ELECTRIC MOTORS GEARMOTORS AND DRIVES	DRAWN MQL 01-20-2011		
		DEC.	INCHES		CHK	MQL 01-20-2011	
		.X	±.1			APPD	
		.XX	±.03			SCALE 1=25	
		.XXX	±.005			REF G151542.60	
		.XXXX	±.0005			FMF	
NO.	REVISION	BY & DATE	CHK	ANG	±1/2'	FINISH	PREV
THIS DRAWING IN DESIGN AND DETAIL IS OUR PROPERTY AND MUST NOT BE USED EXCEPT IN CONNECTION WITH OUR WORK ALL RIGHTS OF DESIGN AND INVENTION ARE RESERVED THIS IS AN ELECTRONICALLY GENERATED DOCUMENT - DO NOT SCALE THIS PRINT				RFP	CAD FILE ss622280	SIZE B	DRAWING NO. PAGE OF REV. SS622280
				DIST			

WYE - DELTA STARTING USEABLE ON 2,4 AND 6 POLE MOTORS.

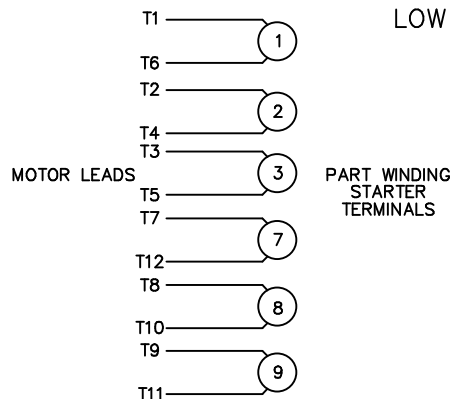
LOW VOLTAGE CONNECTION

HIGH VOLTAGE CONNECTION



REFER TO THE WYE-DELTA STARTER CONNECTION INSTRUCTIONS FOR PROPER CONNECTION OF POWER LINES TO STARTER.

PART WINDING START USABLE ON 4 & 6 POLE MOTORS  
LOW VOLTAGE CONNECTION ONLY



REFER TO THE PART WINDING STARTER INSTRUCTIONS FOR PROPER CONNECTION OF POWER LINES TO STARTER.

REFER TO THE CUTLER - HAMMER OR EQUIV. FOR PROPER SELECTION OF OVERLOAD HEATER COILS.



ACROSS THE LINE START & RUN				
	LINE 1	LINE 2	LINE 3	JOIN & INSULATE SEPARATELY
HIGH VOLT	T1,T12	T2,T10	T3,T11	(T4,T7) (T5,T8) (T6,T9)
LOW VOLT	T1,T6 T7,T12	T2,T4 T8,T10	T3,T5 T9,T11	

				TOLERANCES UNLESS SPECIFIED		ELECTRIC MOTORS GEARMOTORS AND DRIVES	DRAWN WLW 09/08/77		
				DEC.	INCHES		CHK RPB 09/12/77		
				.X	±.1		APPD JCW 09/12/77		
03	REV'D LOW VOLTAGE CONN. LEADS PER ELEC.	BJB 06/07/00	.XX	±.01	TITLE DELTA - WYE CONNECTION DIAGRAM	SCALE 1=1			
02	ADDED T-STAT. NOTES PER ELECTRICAL	KMM 06/02/98	.XXX	±.005		REF			
01	REDRAWN TO CAD	DBT 06/02/97	.XXXX	±.0005		MAT'L.	FMF		
NO.	REVISION	BY & DATE	CHK	ANG	±1/2"	FINISH	PREV		
THIS DRAWING IN DESIGN AND DETAIL IS OUR PROPERTY AND MUST NOT BE USED EXCEPT IN CONNECTION WITH OUR WORK ALL RIGHTS OF DESIGN AND INVENTION ARE RESERVED THIS IS AN ELECTRONICALLY GENERATED DOCUMENT - DO NOT SCALE THIS PRINT				RFP	CAD FILE	00417201	SIZE	DRAWING NO.	REV.
				DIST			A	004172-01	03