

PRODUCT INFORMATION PACKET



Model No: 170234.00

Catalog No: 170234.00

****OBSOLETE, REPLACED BY 326TTFC6080** 30 HP 1200 575 TEFC 326T PREM EFF
General Purpose Motors**



Regal and Leeson are trademarks of Regal Rexnord Corporation or one of its affiliated companies.
©2021 Regal Rexnord Corporation, All Rights Reserved. MC017097E



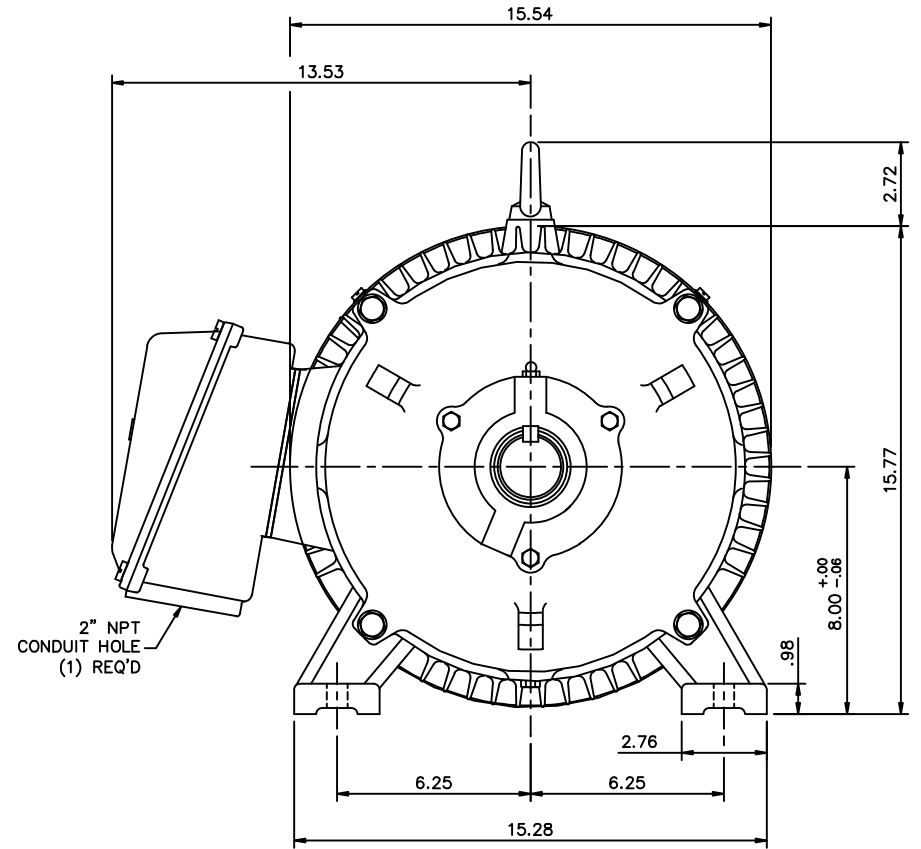
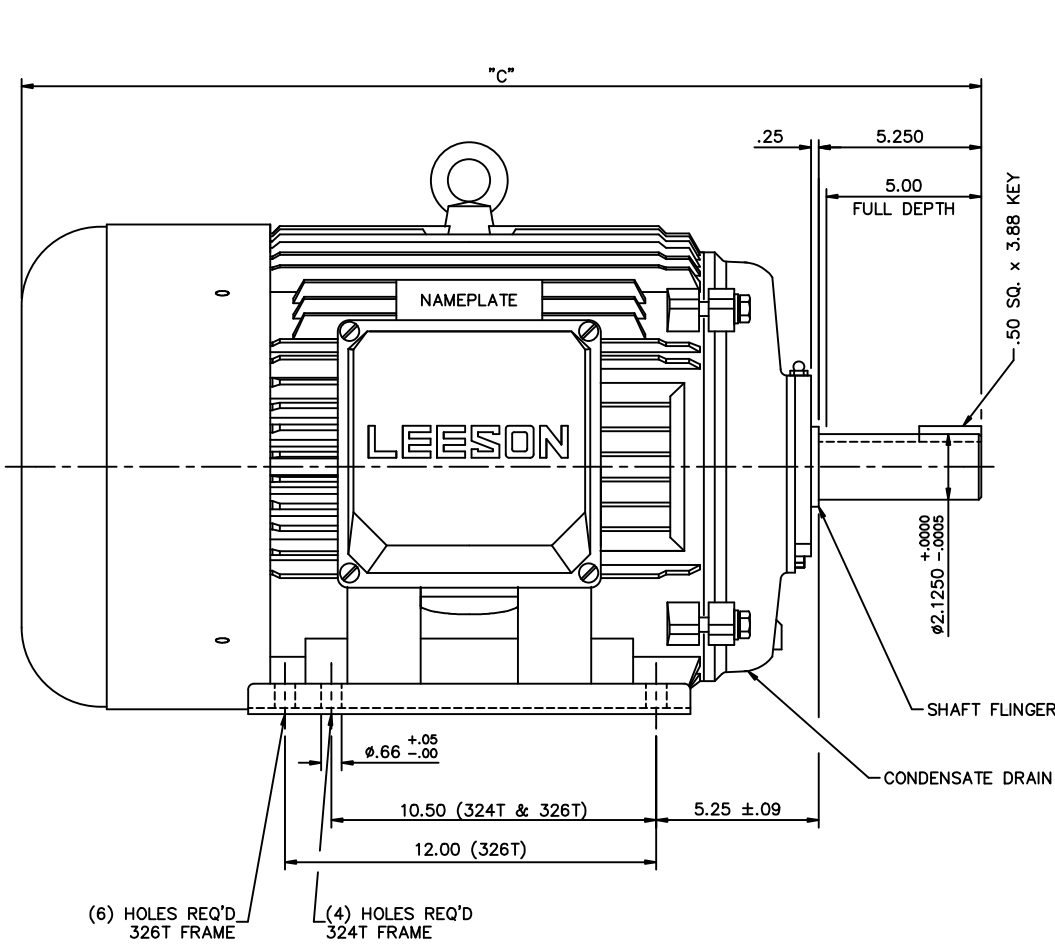


Nameplate Specifications

Output HP	30 Hp	Output KW	22.4 kW
Frequency	60 Hz	Voltage	575 V
Current	31.0 A	Speed	1190 rpm
Service Factor	1.15	Phase	3
Efficiency	93.6 %	Power Factor	78
Duty	Continuous	Insulation Class	F
Design Code	B	KVA Code	F
Frame	326T	Enclosure	Totally Enclosed Fan Cooled
Thermal Protection	No	Ambient Temperature	40 °C
Drive End Bearing Size	6312	Opp Drive End Bearing Size	6312
UL	Recognized	CSA	Y
CE	Y	IP Code	43
Number of Speeds	1		

Technical Specifications

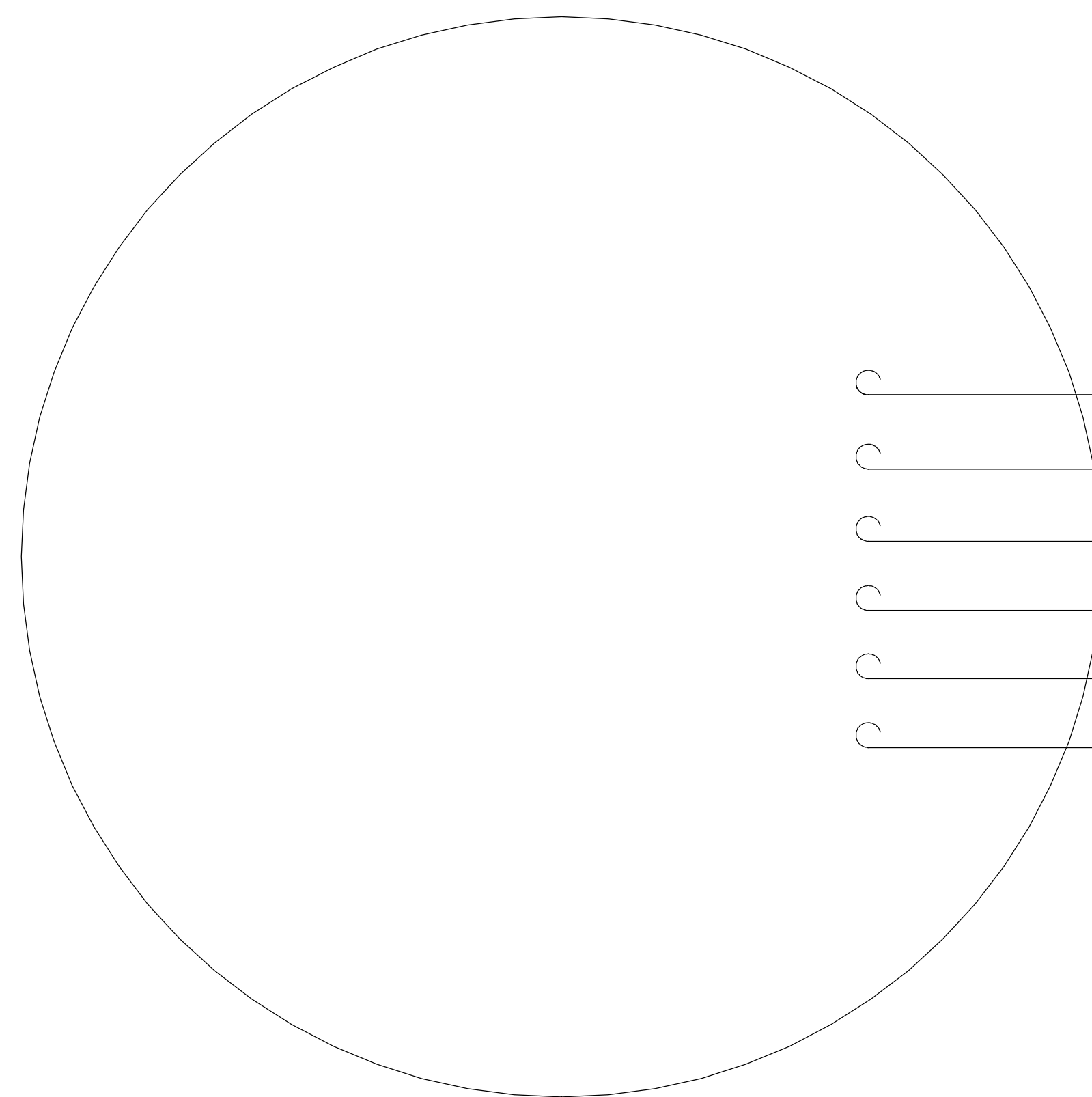
Electrical Type	Squirrel Cage Induction Run	Starting Method	Wye Start Delta Run
Poles	6	Rotation	Reversible
Resistance Main	.197 Ohms	Mounting	Rigid Base
Motor Orientation	Horizontal	Drive End Bearing	Ball
Opp Drive End Bearing	Ball	Frame Material	Cast Iron
Shaft Type	T	Overall Length	31.02 in
Shaft Diameter	2.125 in	Shaft Extension	5.25 in
Assembly/Box Mounting	F1/F2 CAPABLE		
Connection Drawing	005190.01	Outline Drawing	16954160



FRAME DESIGN	"C"
324T	29.53
326T	31.02

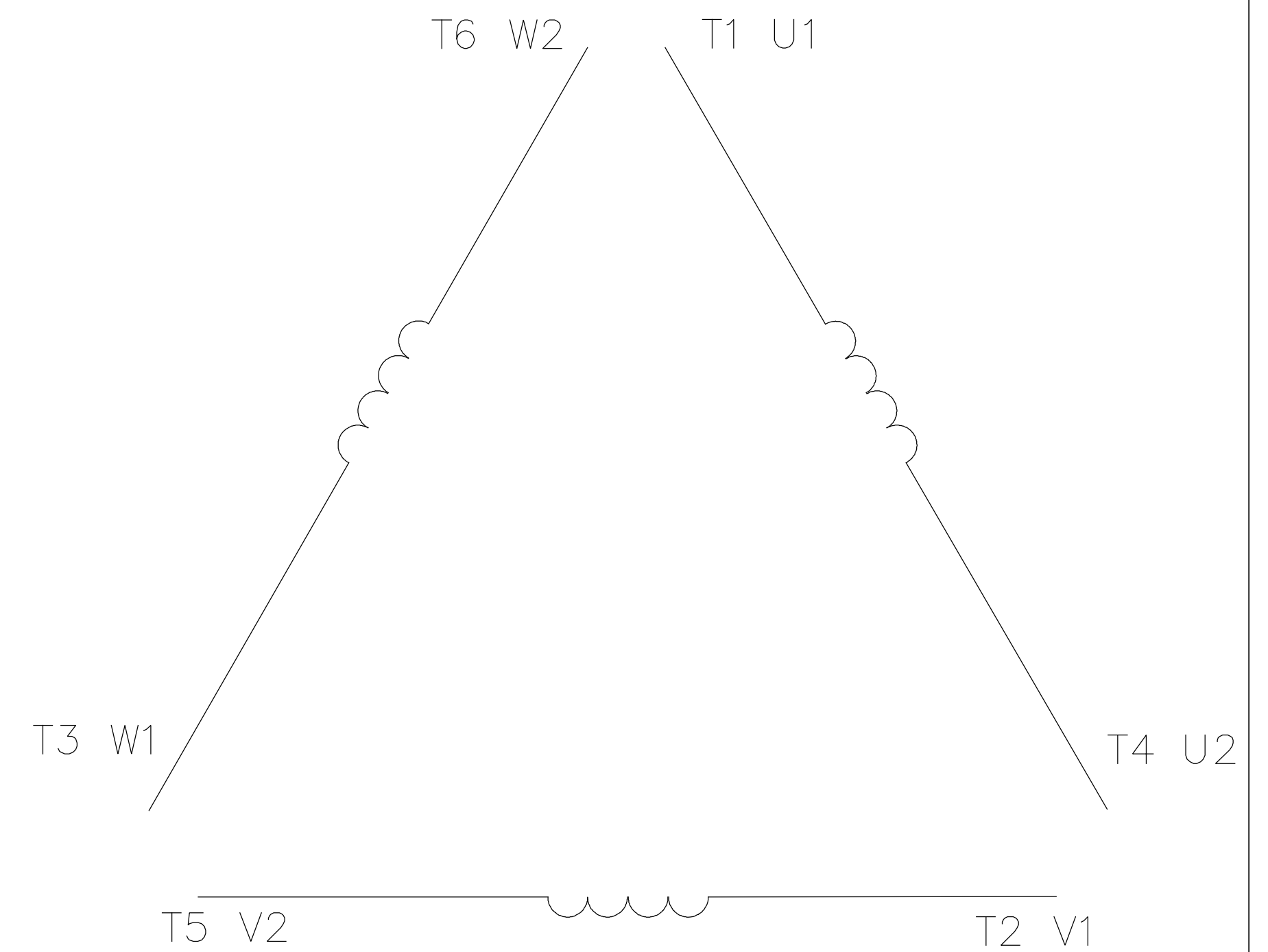
				TOLERANCES UNLESS OTHERWISE SPECIFIED		LEESON ELECTRIC CORPORATION				
				DECIMALS						
				.00	$\pm .06$	DRAWN	JJK 03/29/99	TITLE	OUTLINE - 320T FRAME	
				.000	$\pm .005$	CHK'D.		TEFC - RIGID		
01	ADDED HOLES FOR 326T BASE	JJK	07/13/99	.0000	$\pm .0005$	APPR.	PG 03/31/99	MAT'L	CAST IRON	
NO.	REVISION	BY	DATE	FRACTIONS $\pm 1/64$		SCALE	1=4			
THIS DRAWING IN DESIGN AND DETAIL IS OUR PROPERTY AND MUST NOT BE USED EXCEPT IN CONNECTION WITH OUR WORK ALL RIGHTS OF DESIGN AND INVENTION ARE RESERVED				ANGLES $\pm 1/2'$		REF.	169504	FINISH	SIZE	DRAWING NO.
				INCH/MM		FMF		B	169541-60	

005190-01



- T1 U1
- T2 V1
- T3 W1
- T4 U2
- T5 V2
- T6 W2

LINE LEADS



	L1	L2	L3	JOIN
START (WYE)	T1 U1	T2 V1	T3 U2	(T4,T5,T6) (U2,V2,W2)
RUN (DELTA)	(T1,T6) (U1,W2)	(T2,T4) (V1,U2)	(T3,T5) (W1,V2)	

				TOLERANCES UNLESS OTHERWISE SPECIFIED		LEESON ELECTRIC CORPORATION			
				DECIMALS					
04	ADDED MAT'L (CWLE) PER ECO-0168542	DS	6/10/2019			DRAWN PG 05/07/82	EXT. WIRING DIAGRAM STAR START - DELTA RUN		
03	ADDED IEC DESIGNATIONS	MOL	4/27/2012	.00	± .01	CH'K'D. TEM			
02	REMOVED OBSOLETE STATUS	KJH	6/28/99	.000	± .005	APPR. 05/07/82	MAT'L. Y-CONNECTED START (CWLE) DELTA CONNECTED RUN - SINGLE VOLTAGE		
01	REDRAWN ON CAD	DBT	05/30/97	.0000	± .0005	SCALE 1=1			
NO.	REVISION	BY	DATE	FRACTIONS	± 1/64	REF. T2E	FINISH	SIZE	DRAWING NO.
THIS DRAWING IN DESIGN AND DETAIL IS OUR PROPERTY AND MUST NOT BE USED EXCEPT IN CONNECTION WITH OUR WORK ALL RIGHTS OF DESIGN AND INVENTION ARE RESERVED				ANGLES	± 1/2'	FMF	ELECTRO POWER	A	005190-01
				INCH/MM					