

PRODUCT INFORMATION PACKET



Model No: 170224.60
Catalog No: 170224.60
Special Voltage Motor, 25 HP, 3 Ph, 60 Hz, 575 V, 3600 RPM, 284TS Frame, TEFC



Regal and Leeson are trademarks of Regal Rexnord Corporation or one of its affiliated companies.
©2022 Regal Rexnord Corporation, All Rights Reserved. MC017097E



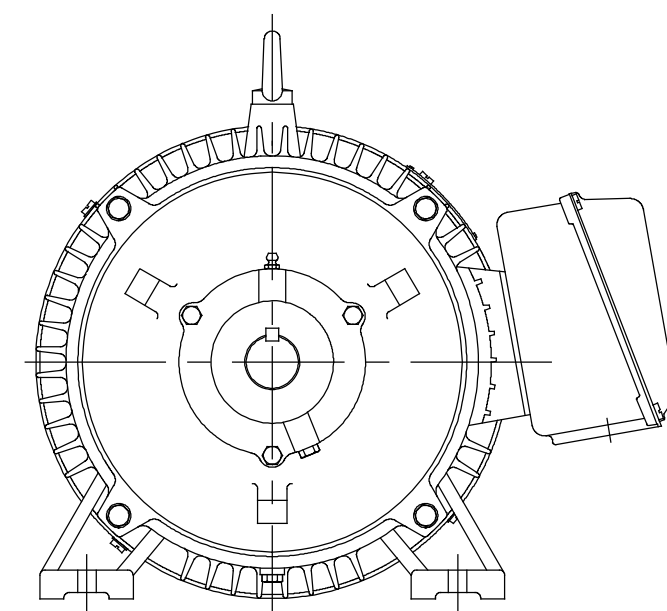
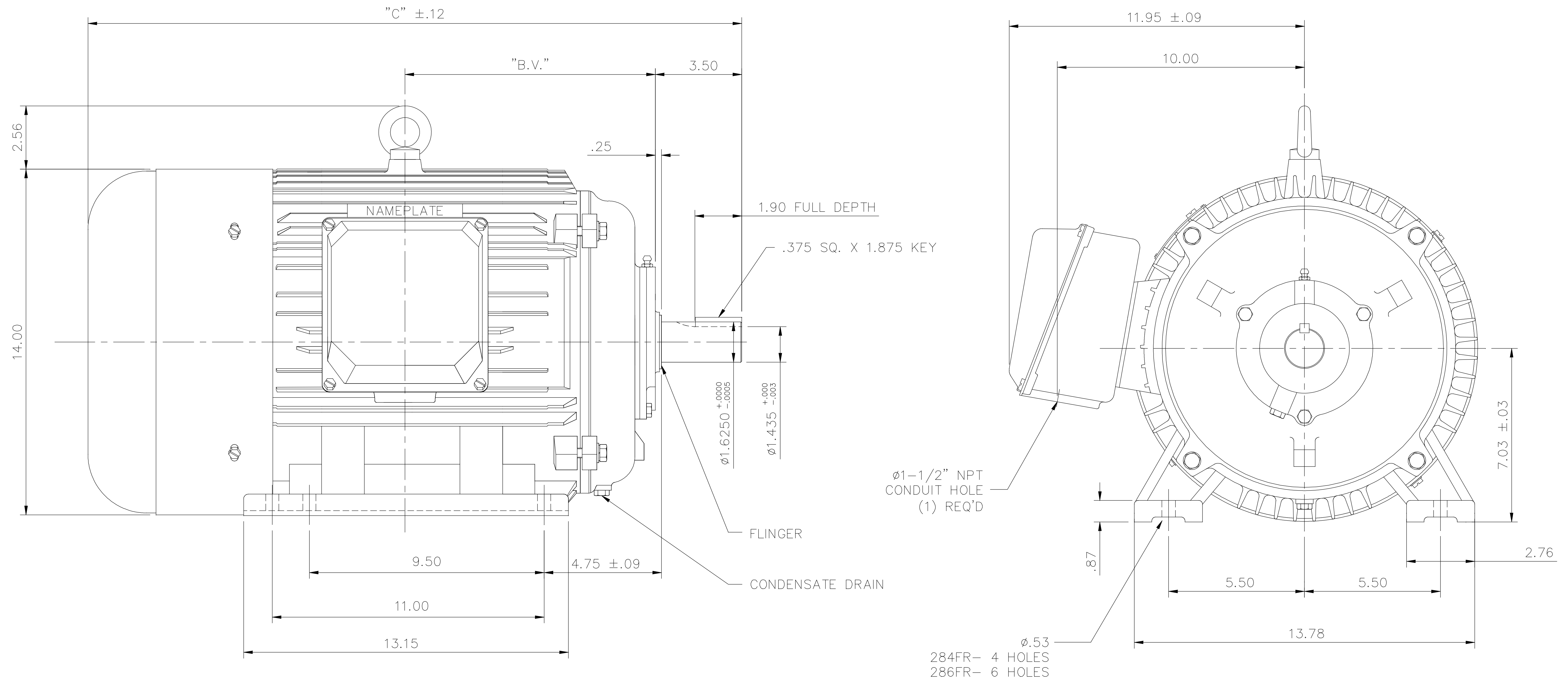


Nameplate Specifications


Output HP	25 Hp	Output KW	18.7 kW
Frequency	60 Hz	Voltage	575 V
Current	22.6 A	Speed	3550 rpm
Service Factor	1.15	Phase	3
Efficiency	92.4 %	Power Factor	89.5
Duty	Continuous	Insulation Class	F
Design Code	B	KVA Code	G
Frame	284TS	Enclosure	Totally Enclosed Fan Cooled
Thermal Protection	No Protection	Ambient Temperature	40 °C
Drive End Bearing Size	6311	Opp Drive End Bearing Size	6309
UL	Recognized	CSA	Y
CE	Y	IP Code	43
Number of Speeds	1		

Technical Specifications

Electrical Type	Squirrel Cage Inverter Rated	Starting Method	Wye Start Delta Run Or Inverter
Poles	2	Rotation	Reversible
Resistance Main	0 Ohms	Mounting	Rigid Base
Motor Orientation	Horizontal	Drive End Bearing	Ball
Opp Drive End Bearing	Ball	Frame Material	Cast Iron
Shaft Type	TS	Overall Length	24.88 in
Shaft Diameter	1.625 in	Shaft Extension	3.25 in
Assembly/Box Mounting	F1 ONLY	Inverter Load	CONSTANT 10:1
Connection Drawing	005190.01	Outline Drawing	16954060-284TS

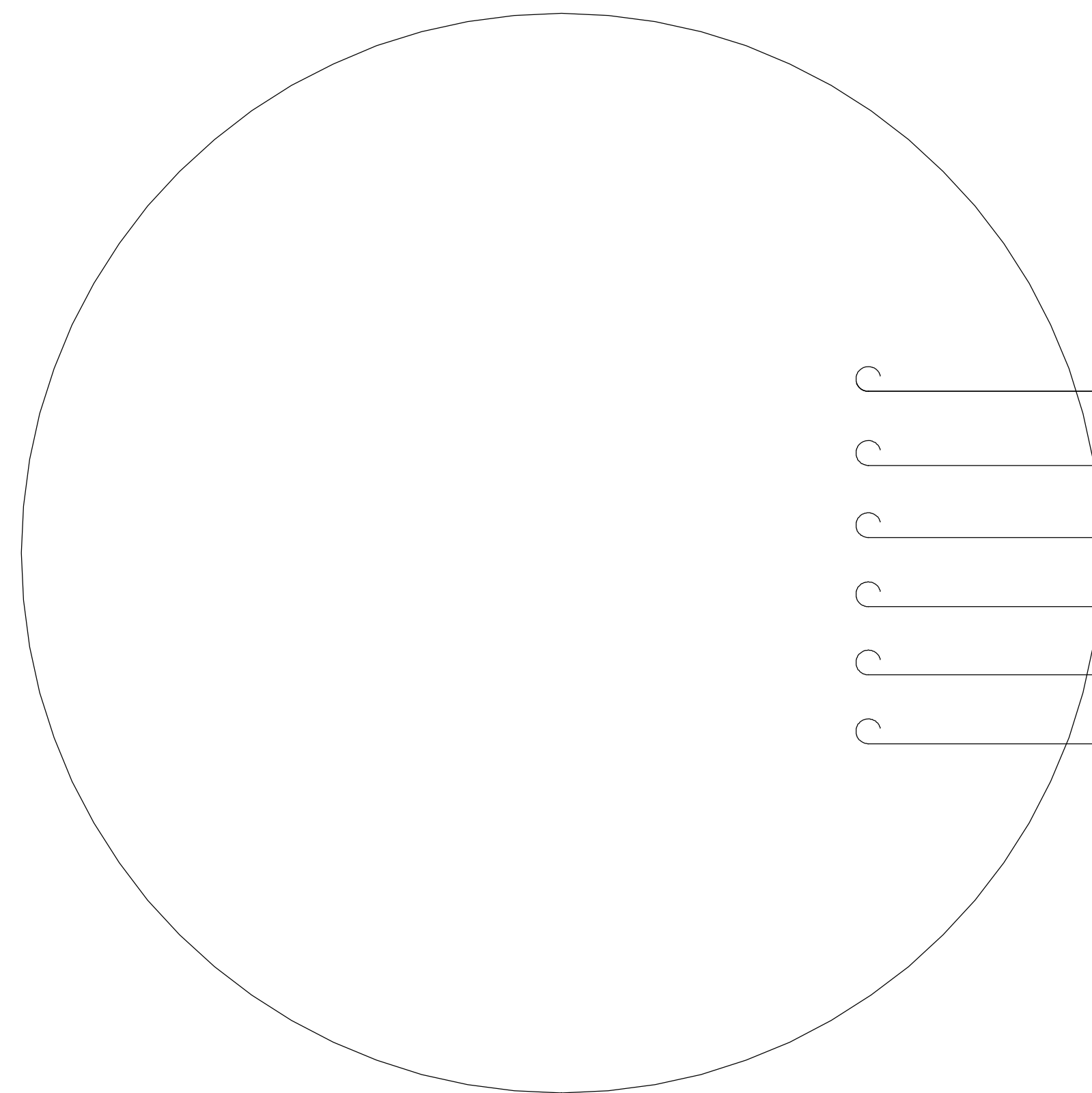


FRAME DESIGN	"C"	"BV"
284TS	24.88	4.72
286TS	26.46	3.97

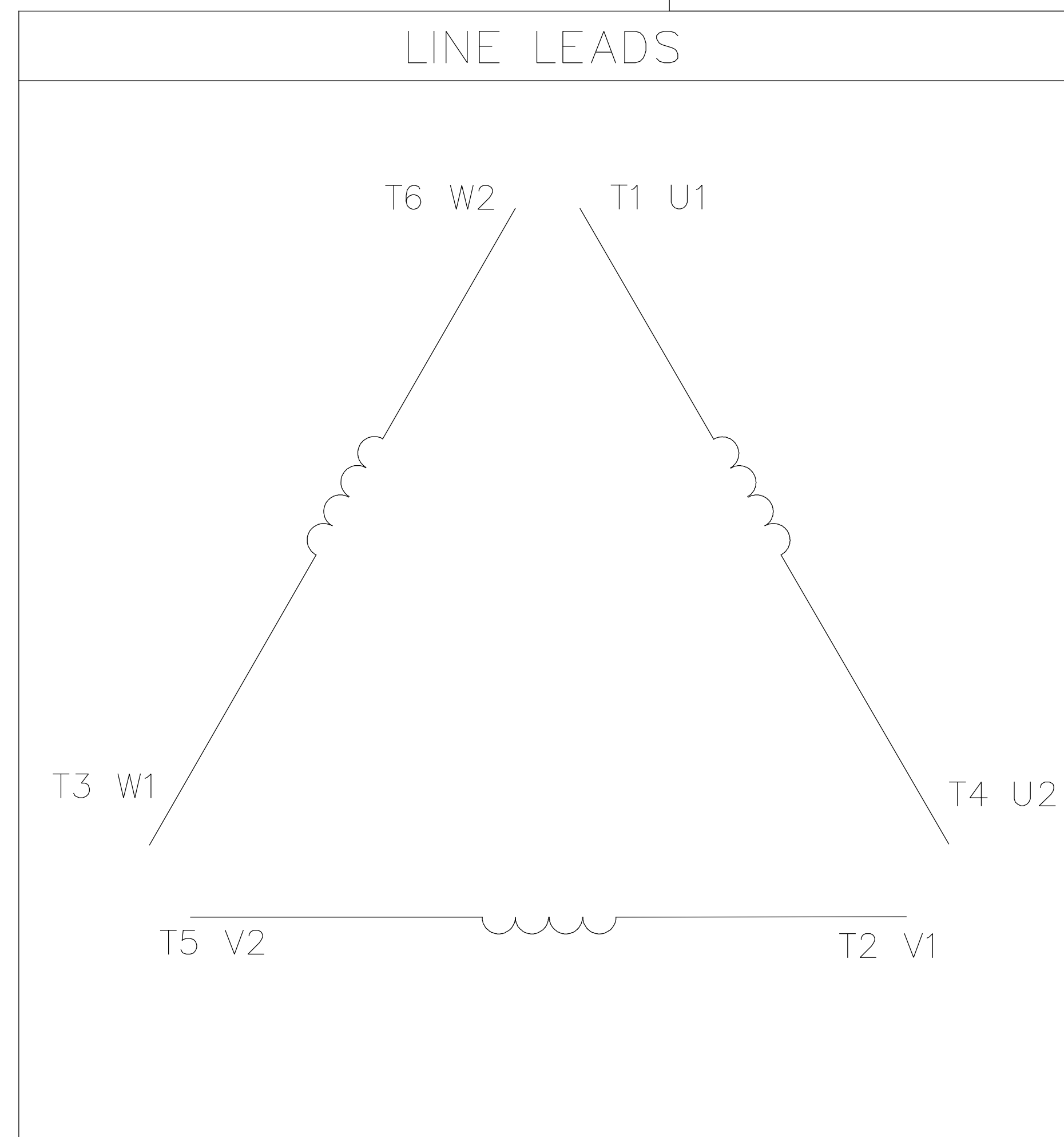
NO.	REVISION	BY & DATE	CHK	TOLERANCES UNLESS SPECIFIED		REGAL-BELOIT CORPORATION	DRAWN JJK 03/29/99		
				DEC.	INCHES				
H	ADDED F2 VIEW ECO-0134445	WGJ 11/10/2017	EMH	.X	±.1	 REGAL-BELOIT CORPORATION TITLE OUTLINE-280TS FRAME, TEFC-RIGID NEW CONDUIT BOX MAT'L. CAST IRON FINISH	CHK		
03	REMOVED REFERENCE TO 250 FRAME	MOL 08/15/2012		.XX	±.03		APPD PG 03/31/99		
02	REDRAWN TO CURRENT CAD STANDARDS	CJK 11/1/01		.XXX	±.005		SCALE 1=4		
01	ADDED HOLES 286TS BASE	JJK 07/13/99		.XXXX	±.0005		REF		
				ANG	±7'30"		FMF		
THIS DRAWING IN DESIGN AND DETAIL IS OUR PROPERTY AND MUST NOT BE USED EXCEPT IN CONNECTION WITH OUR WORK ALL RIGHTS OF DESIGN AND INVENTION ARE RESERVED THIS IS AN ELECTRONICALLY GENERATED DOCUMENT - DO NOT SCALE THIS PRINT				RFP	CAD FILE 16954060	SIZE B	DRAWING NO. 169540-60	PAGE OF	REV. H
				DIST					

005190-01

LINE LEADS



- T1 U1
- T2 V1
- T3 W1
- T4 U2
- T5 V2
- T6 W2



	L1	L2	L3	JOIN
START (WYE)	T1 U1	T2 V1	T3 U2	(T4,T5,T6) (U2,V2,W2)
RUN (DELTA)	(T1,T6) (U1,W2)	(T2,T4) (V1,U2)	(T3,T5) (W1,V2)	

				TOLERANCES UNLESS OTHERWISE SPECIFIED		LEESON ELECTRIC CORPORATION			
				DECIMALS					
04	ADDED MAT'L (CWLE) PER ECO-0168542	DS	6/10/2019			DRAWN PG 05/07/82	TITLE EXT. WIRING DIAGRAM STAR START - DELTA RUN		
03	ADDED IEC DESIGNATIONS	MOL	4/27/2012	.00	± .01	CH'K'D. TEM			
02	REMOVED OBSOLETE STATUS	KJH	6/28/99	.000	± .005	APPR. 05/07/82	MAT'L. Y-CONNECTED START (CWLE) DELTA CONNECTED RUN - SINGLE VOLTAGE		
01	REDRAWN ON CAD	DBT	05/30/97	.0000	± .0005	SCALE 1=1			
NO.	REVISION	BY	DATE	FRACTIONS	± 1/64	REF. T2E	FINISH	SIZE A	DRAWING NO. 005190-01
THIS DRAWING IN DESIGN AND DETAIL IS OUR PROPERTY AND MUST NOT BE USED EXCEPT IN CONNECTION WITH OUR WORK ALL RIGHTS OF DESIGN AND INVENTION ARE RESERVED				ANGLES	± 1/2'	FMF ELECTRO POWER			
				INCH/MM					

Data Sheet

Date: 1/30/2018

170224.60



Data @ 575 V

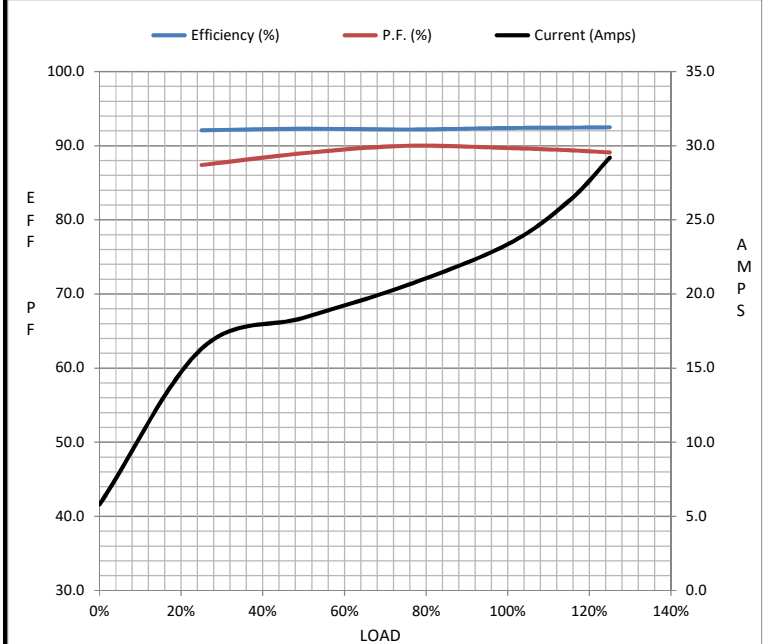
Motor Load Data

Load	0%	25%	50%	75%	100%	115%	125%	LR
Current (Amps)	5.8	16.3	18.4	20.6	23.4	26.3	29.2	146
Torque (ft-lb)	0.00	25.8	29.7	33.6	38.2	42.9	47.6	68.0
RPM	3600	3569	3564	3558	3553	3,547	3538	0
Efficiency (%)		92.1	92.3	92.2	92.4	92.5	92.5	
P.F. (%)	12.0	87.4	89.0	90.0	89.7	89.4	89.1	0.0

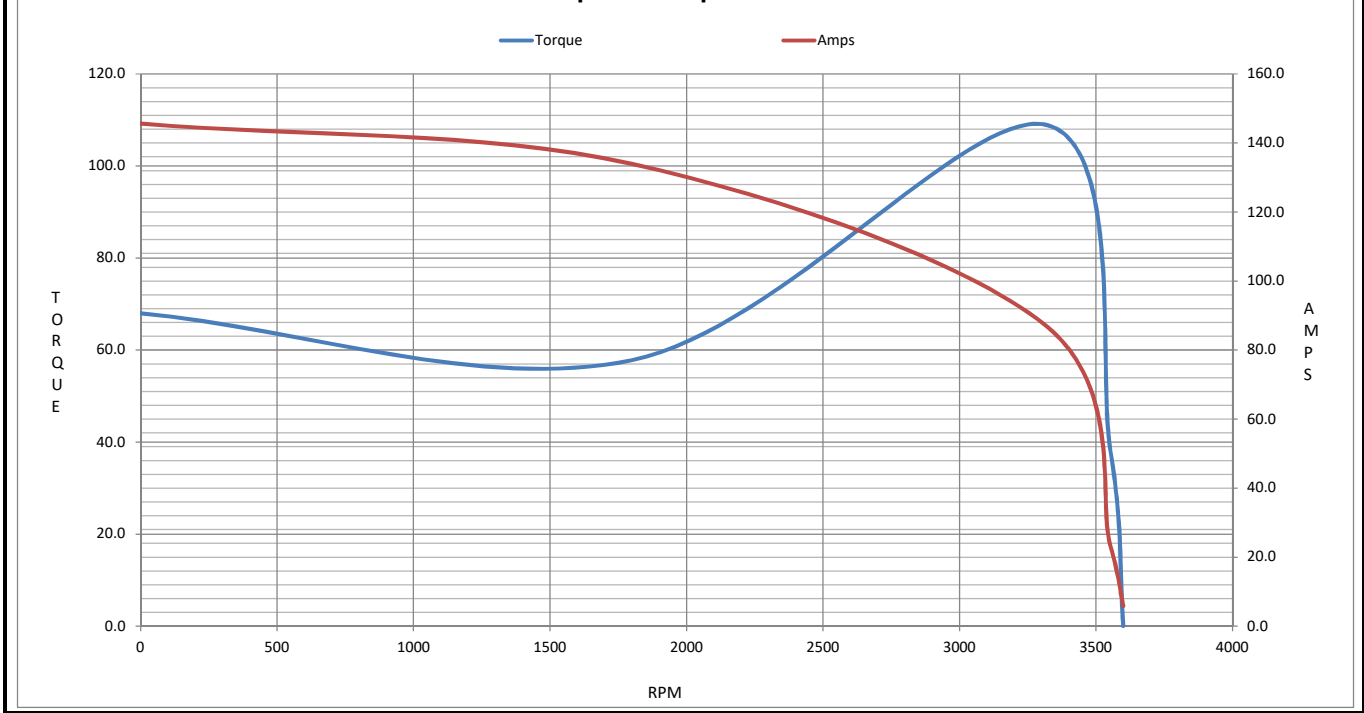
Motor Speed Data

	LR	Pull-Up	BD	Rated	Idle
Speed (RPM)	0	1800	3312	3553	3600
Current (Amps)	146	134	87.4	23.4	5.8
Torque (ft-lb)	68.0	57.8	109	38.2	0.00

Information Block				
HP	25.0			
Sync. RPM	3600			
Frame	284			
Enclosure	TEFC			
Construction	TFC			
Voltage	575 V			
Frequency	60 Hz			
Design	A			
LR Code letter	G			
Service Factor	1.15			
Temp Rise @ FL	46 °C			
Duty	CONT			
Ambient	40 °C			
Elevation	1,000 feet			
Rotor/Shaft wk ²	1.83 Lb-Ft ²			
Ref Wdg	T14502005 FR			
Sound Pressure @ 1M	999 dBA			
VFD Rating	CONSTANT 10:1			
Outline Dwg	16954060			
Conn. Diag	005190.01			
Additional Specifications:				
0				
0				
EQUIV CKT (OHMS / PHASE)				
R1	R2	X1	X2	Xm
0.0000	0.0000	0.0000	0.0000	0.0000



Speed - Torque Curve



EC Declaration of Conformity

The undersigned representing
the manufacturer:

Regal Beloit America
100 East Randolph St.
Wausau, WI 54401

and the authorized representative
established within the Community:

Marathon Electric UK
6F Thistleton Road Ind. Estate
Market Overton
Oakham, Rutland LE15 7PP UK

are committed to providing customers with products that comply with applicable regulations and international protocols to which they are subject, including the requirements of the European Parliament Directive on the Harmonization of the laws relating to electrical equipment designed for use within certain voltage limits (2014/35/EU).

Regal Beloit America declares that the following product(s), to which this declaration relates, are in conformity with the relevant sections of the EC standards listed below.

This statement supersedes any statements previously issued pertaining to the product(s) listed below and is subject to change without notice.

Model No : 170224.60

(Model No. may contain prefix and/or suffix characters)

Catalog No : 170224.60

Rework No : N/A

Directives :

Low Voltage Directive 2014/35/EU

Harmonized Standards Used :

EN 60034-1: 2010 (IEC 60034-1: 2010)

EN 60034-5: 2001/A1:2007 (IEC 60034-5: 2000/A1:2006)

Authorized Representative:



Michael A. Logsdon
Vice President, Technology

Authorized Representative in the Community:



Julian Clark
Marketing Engineer

Created on 09/01/2022

CE 22