

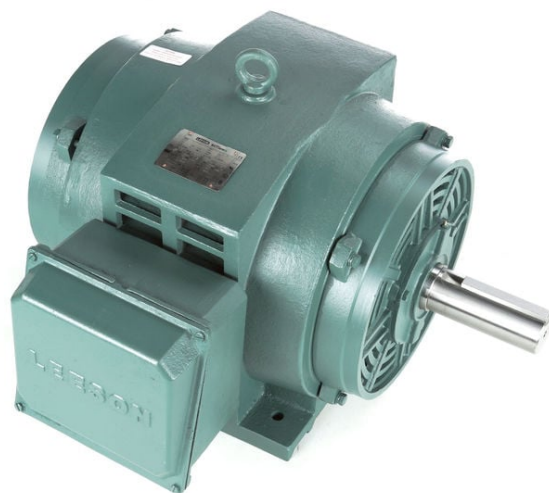
PRODUCT INFORMATION PACKET



Model No: 170150.60

Catalog No: 170150.60

WATTSaver® General Purpose Motor, 75 & 60 HP, 3 Ph, 60 & 50 Hz, 208-230/460 & 190/380 V,
1200 & 1000 RPM, 405T Frame, DP



Regal and Leeson are trademarks of Regal Rexnord Corporation or one of its affiliated companies.

©2023 Regal Rexnord Corporation, All Rights Reserved. MC017097E



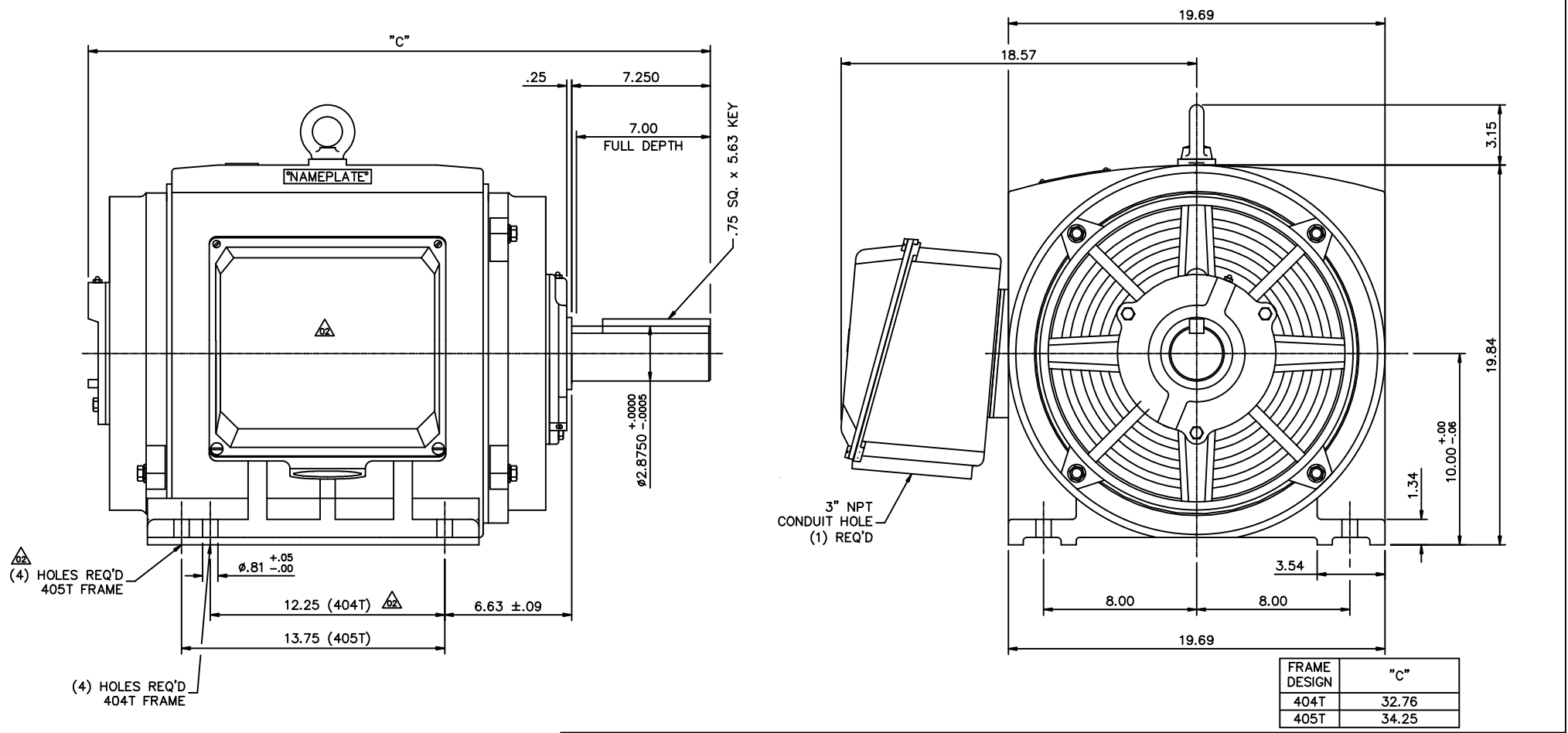


Nameplate Specifications

Phase	3	Output HP	75 & 60 Hp
Output KW	56.0 & 45.0 kW	Voltage	208-230/460 & 190/380 V
Speed	1190 & 990 rpm	Service Factor	1.15 & 1.15
Frame	405T	Enclosure	Drip Proof
Thermal Protection	No Protection	Efficiency	94.5 & 94.1 %
Ambient Temperature	40 °C	Frequency	60 & 50 Hz
Current	210-199/99.5 & 192/96 A	Power Factor	75
Duty	Continuous	Insulation Class	F
Design Code	B	KVA Code	F
Drive End Bearing Size	6316	Opp Drive End Bearing Size	6314
UL	No	CSA	N
CE	Y	IP Code	12
Number of Speeds	1		

Technical Specifications

Electrical Type	Squirrel Cage Inverter Rated	Starting Method	Wye Start Delta Run Or Inverter
Poles	6	Rotation	Reversible
Resistance Main	.0669 Ohms	Mounting	Rigid Base
Motor Orientation	Horizontal	Drive End Bearing	Ball
Opp Drive End Bearing	Ball	Frame Material	Cast Iron
Shaft Type	T	Overall Length	34.25 in
Shaft Diameter	2.875 in	Shaft Extension	7.25 in
Assembly/Box Mounting	F1/F2 CAPABLE		
Outline Drawing	16955860	Connection Drawing	004172.01



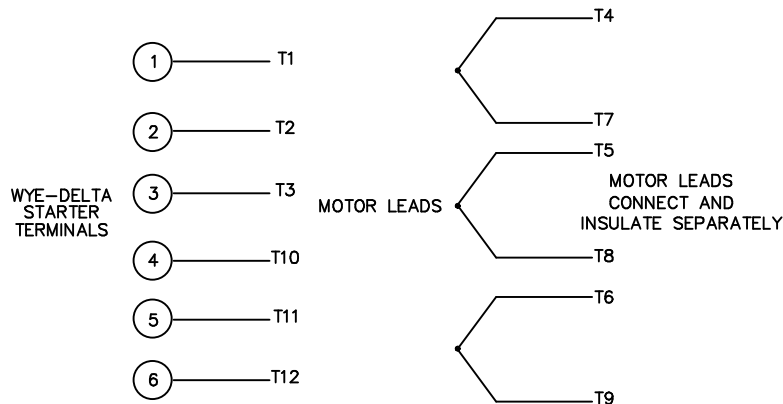
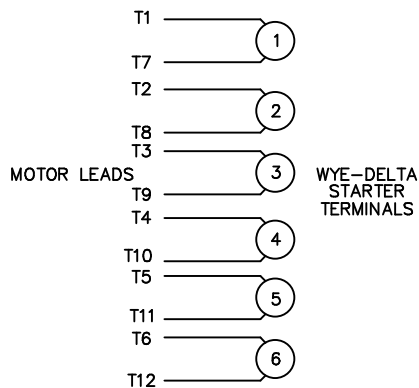
FRAME DESIGN	"C"
404T	32.76
405T	34.25

		TOLERANCES UNLESS SPECIFIED		LEESON	ELECTRIC MOTORS GEARMOTORS AND DRIVES	DRAWN	JJK	04/05/99	
		DEC.	INCHES			CHK	JK	04/06/99	
3	CORRECTED 405T MOUNTING	JS 04/21/2005	ML .XX ±.01	TITLE		APPD	PG	04/07/99	
02	405T FRAME WAS 6 HOLES & REMOVE LEESON LOGO	LST 10/2/02	.XXX ±.005	OUTLINE- 400 T FRAME DRIP PROOF- RIGID		SCALE	1=1		
01	ADDED HOLES FOR 405T BASE	JJK 07/16/99	.XXXX ±.0005	MAT'L		REF	169520		
NO. REVISION		BY & DATE	CHK ANG ±1/2'	FINISH		FMF	PREV		
THIS DRAWING IN DESIGN AND DETAIL IS OUR PROPERTY AND MUST NOT BE USED EXCEPT IN CONNECTION WITH OUR WORK ALL RIGHTS OF DESIGN AND INVENTION ARE RESERVED THIS IS AN ELECTRONICALLY GENERATED DOCUMENT - DO NOT SCALE THIS PRINT				RFP	CAD FILE	16955860	SIZE	DRAWING NO.	
				DIST			B	169558-60	
								REV.	3

WYE - DELTA STARTING USEABLE ON 2,4 AND 6 POLE MOTORS.

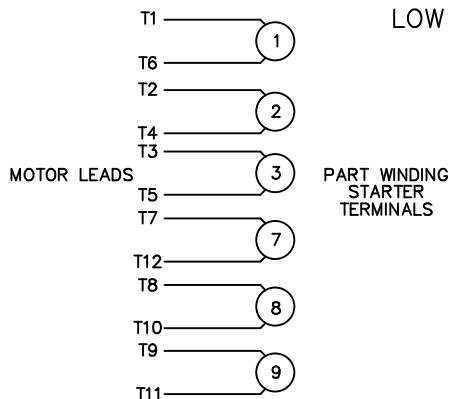
LOW VOLTAGE CONNECTION

HIGH VOLTAGE CONNECTION



REFER TO THE WYE-DELTA STARTER CONNECTION INSTRUCTIONS FOR PROPER CONNECTION OF POWER LINES TO STARTER.

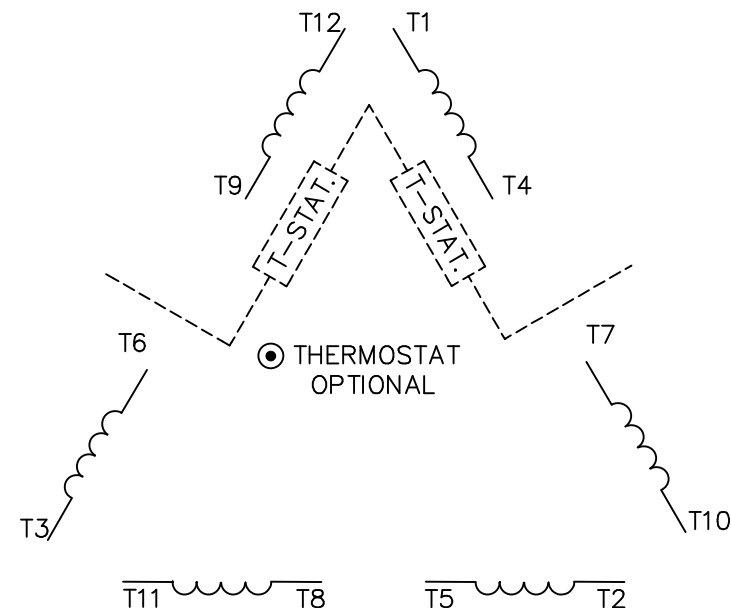
PART WINDING START USABLE ON 4 & 6 POLE MOTORS
LOW VOLTAGE CONNECTION ONLY



REFER TO THE PART WINDING STARTER INSTRUCTIONS FOR PROPER CONNECTION OF POWER LINES TO STARTER.

REFER TO THE CUTLER - HAMMER OR EQUIV. FOR PROPER SELECTION OF OVERLOAD HEATER COILS.

LINE LEADS



ROTATION CAN BE REVERSED BY INTERCHANGING ANY TWO LINE LEADS
● RED LEADS OR P1, P2, FOR N/C THERMOSTAT

ACROSS THE LINE START & RUN

	LINE 1	LINE 2	LINE 3	JOIN & INSULATE SEPARATELY
HIGH VOLT	T1, T12	T2, T10	T3, T11	(T4, T7) (T5, T8) (T6, T9)
LOW VOLT	T1, T6 T7, T12	T2, T4 T8, T10	T3, T5 T9, T11	

TOLERANCES UNLESS SPECIFIED
DEC. INCHES



ELECTRIC MOTORS
GEARMOTORS
AND DRIVES

DRAWN WLW 09/08/77
CHK RPB 09/12/77
APPD JCW 09/12/77

NO.	REVISION	BY & DATE	CHK	ANG	±1/2'
03	REV'D LOW VOLTAGE CONN. LEADS PER ELEC.	BJB 06/07/00	.XX	±.01	
02	ADDED T-STAT. NOTES PER ELECTRICAL	KMM 06/02/98	.XXX	±.005	
01	REDRAWN TO CAD	DBT 06/02/97	.XXXX	±.0005	

TITLE	DELTA - WYE CONNECTION DIAGRAM
MAT'L.	
FINISH	

SCALE	1=1
REF	
FMF	
PREV	

THIS DRAWING IN DESIGN AND DETAIL IS OUR PROPERTY AND MUST NOT BE USED EXCEPT IN CONNECTION WITH OUR WORK ALL RIGHTS OF DESIGN AND INVENTION ARE RESERVED THIS IS AN ELECTRONICALLY GENERATED DOCUMENT - DO NOT SCALE THIS PRINT

RFP	CAD FILE	00417201	SIZE	DRAWING NO.	REV.
DIST			A	004172-01	03

Data Sheet

Date: 1/31/2018

170150.60



Data @ 460 V

Motor Load Data

Load	0%	25%	50%	75%	100%	115%	125%	LR
Current (Amps)	43.0	50.5	63.0	80.0	99.5	113	122	485
Torque (ft-lb)	0.00	82.5	165	248	332	381	415	516
RPM	1200	1197	1195	1193	1190	1,189	1187	0
Efficiency (%)		89.5	93.0	94.1	94.5	94.1	94.1	
P.F. (%)	4.0	39.0	59.5	70.0	75.0	76.0	76.5	31.5

Motor Speed Data

	LR	Pull-Up	BD	Rated	Idle
Speed (RPM)	0	600	1150	1190	1200
Current (Amps)	485	460	355	99.5	43.0
Torque (ft-lb)	516	380	960	332	0.00

Information Block				
HP	75.0			
Sync. RPM	1200			
Frame	405			
Enclosure	DP			
Construction	TDC			
Voltage	208-230/460#190/380 V			
Frequency	60 Hz			
Design	B			
LR Code letter	F			
Service Factor	1.15			
Temp Rise @ FL	51 °C			
Duty	CONT			
Ambient	40 °C			
Elevation	1,000 feet			
Rotor/Shaft wk ²	32.0 Lb-Ft ²			
Ref Wdg	T19606020 NONE			
Sound Pressure @ 1M	55 dBA			
VFD Rating	CONSTANT 10:1			
Outline Dwg	16955860			
Conn. Diag	004172.01			
Additional Specifications:				
0				
0				
EQUIV CKT (OHMS / PHASE)				
R1	R2	X1	X2	Xm
0.0000	0.0000	0.0000	0.0000	0.0000

