

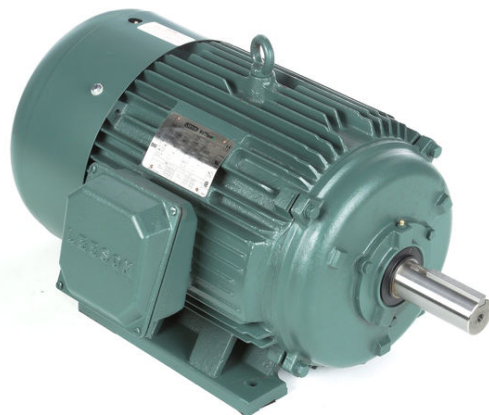
PRODUCT INFORMATION PACKET



Model No: 170068.00

Catalog No: 170068.00

General Purpose Motor, 15 & 10 HP, 3 Ph, 60 & 50 Hz, 208-230/460 & 190/380 V, 1200 & 1000 RPM,
284T Frame, TEFC



Regal and Leeson are trademarks of Regal Rexnord Corporation or one of its affiliated companies.

©2023 Regal Rexnord Corporation, All Rights Reserved. MC017097E





Nameplate Specifications

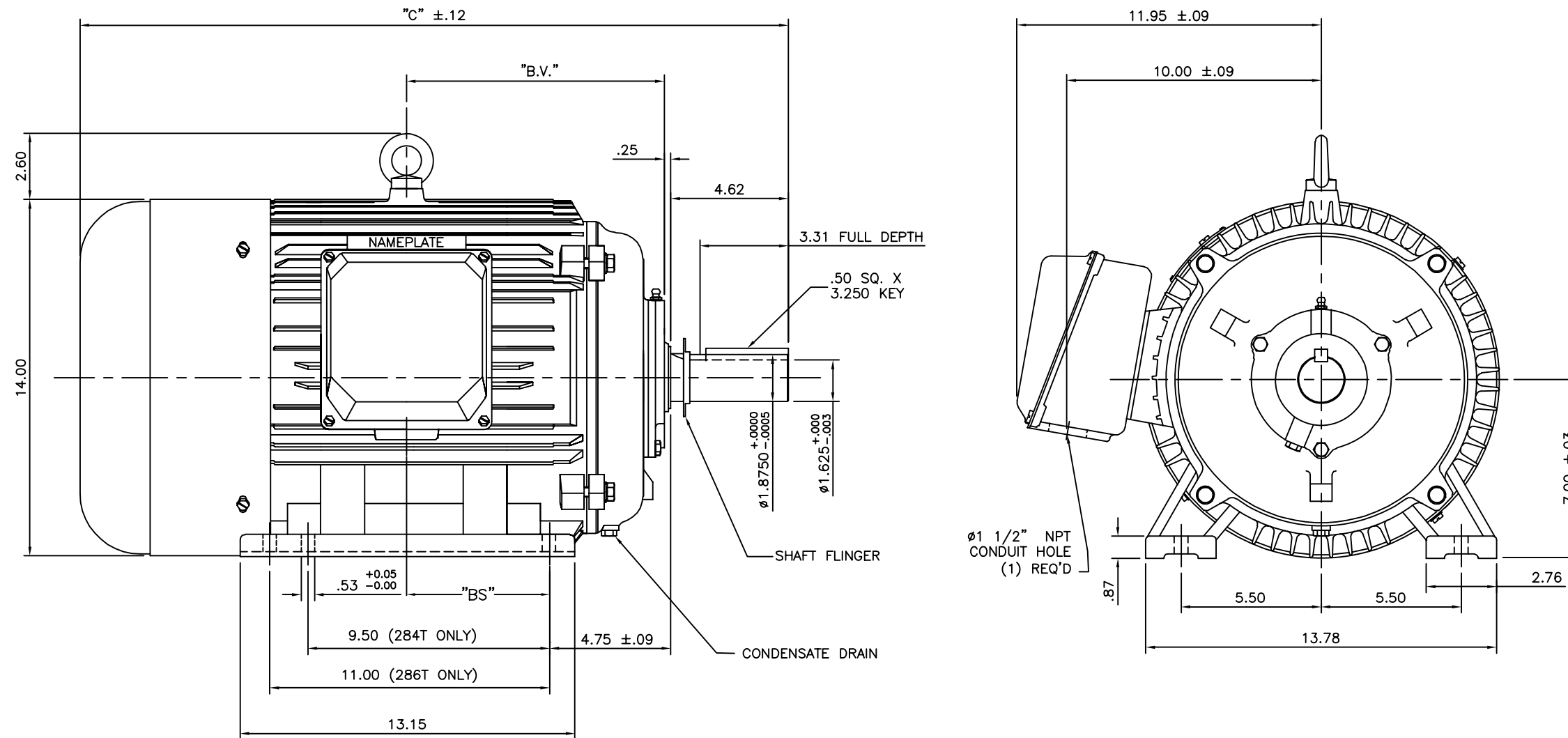
Phase	3	Output HP	15 & 10 Hp
Output KW	11.2 & 7.5 kW	Voltage	208-230/460 & 190/380 V
Speed	1186 & 985 rpm	Service Factor	1.15 & 1.15
Frame	284T	Enclosure	Totally Enclosed Fan Cooled
Thermal Protection	No Protection	Efficiency	92.4 & 91.7 %
Ambient Temperature	40 °C	Frequency	60 & 50 Hz
Current	43-40.5/20.3 & 33/16.6 A	Power Factor	74.6
Duty	Continuous	Insulation Class	F
Design Code	B	KVA Code	H
Drive End Bearing Size	6311	Opp Drive End Bearing Size	6309
UL	Recognized	CSA	Y
CE	Y	IP Code	43
Number of Speeds	1		

Technical Specifications

Electrical Type	Squirrel Cage Induction Run	Starting Method	Across The Line
Poles	6	Rotation	Reversible
Mounting	Rigid Base	Motor Orientation	Horizontal
Drive End Bearing	Ball	Opp Drive End Bearing	Ball
Frame Material	Cast Iron	Shaft Type	T
Overall Length	26.26 in	Shaft Diameter	1.875 in
Shaft Extension	4.62 in	Assembly/Box Mounting	F1/F2 CAPABLE
Connection Drawing	004172.03	Outline Drawing	16953960-284T

This is an uncontrolled document once printed or downloaded and is subject to change without notice. Date Created:06/22/2023

169539-60



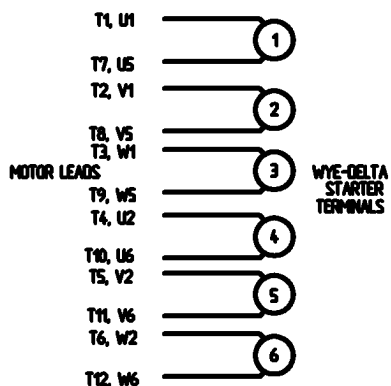
NOTE: 286T HAS 6 MTG. HOLES, USING 284T AND 286T LOCATIONS

FRAME DESIGN	"C"	"BV"	"BS"
284T	26.26	9.65	
286T	27.83	10.43	5.51

		TOLERANCES UNLESS SPECIFIED		REGAL REGAL-BELOIT CORPORATION		DRAWN CJK 07/16/01	
		DEC.	INCHES			CHK	
03	ECO-0048910, REVISED 'BA' DIM.	RFH	04/04/14	EH	.XX	±.03	APPD
02	REDRAWN TO CURRENT CAD STANDARDS	CJK	07/13/99		.XXX	±.005	SCALE N/A
01	ADDED HOLE FOR 286T BASE	JJK	11/01/01		.XXX	±.0005	REF
NO.	REVISION	BY & DATE	CHK	ANG	±1/2'	FINISH	FMF
THIS DRAWING IN DESIGN AND DETAIL IS OUR PROPERTY AND MUST NOT BE USED EXCEPT IN CONNECTION WITH OUR WORK ALL RIGHTS OF DESIGN AND INVENTION ARE RESERVED THIS IS AN ELECTRONICALLY GENERATED DOCUMENT - DO NOT SCALE THIS PRINT				RFP	CAD FILE	SIZE	DRAWING NO. PAGE OF REV.
				DIST		A	169539-60 03

WYE - DELTA STARTING USEABLE ON 2,4 AND 6 POLE MOTORS.

LOW VOLTAGE CONNECTION

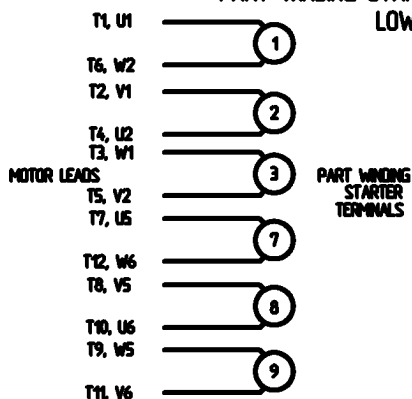


HIGH VOLTAGE CONNECTION



REFER TO THE WYE-DELTA STARTER CONNECTION INSTRUCTIONS FOR PROPER CONNECTION OF POWER LINES TO STARTER.

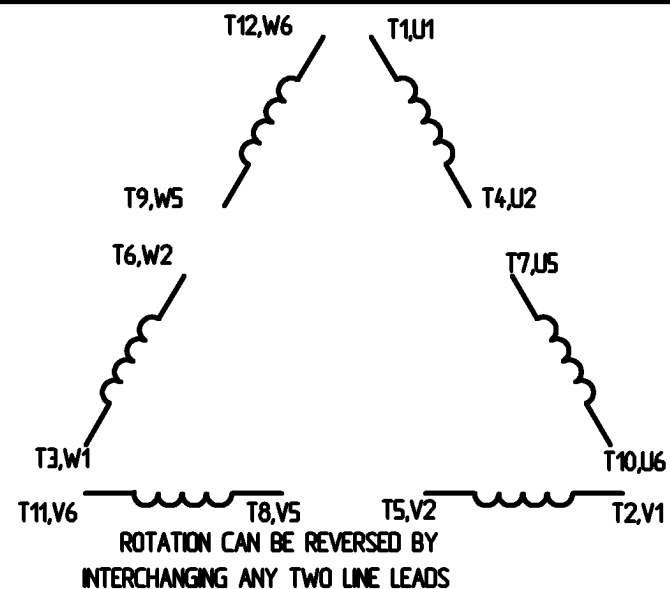
PART WINDING START USABLE ON 4 & 6 POLE MOTORS
LOW VOLTAGE CONNECTION ONLY



REFER TO THE PART WINDING STARTER INSTRUCTIONS FOR PROPER CONNECTION OF POWER LINES TO STARTER.

REFER TO THE CUTLER - HAMMER OR EQUIV. FOR PROPER SELECTION OF OVERLOAD HEATER COILS.

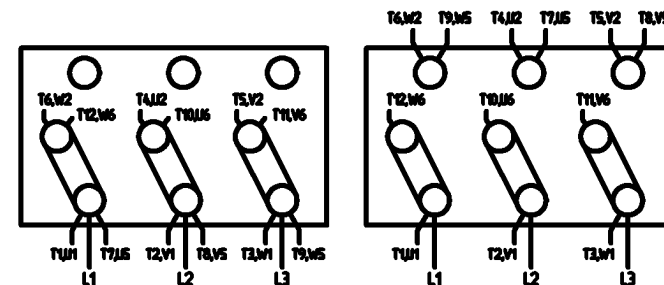
LINE LEADS



12 LEAD DELTA CONNECTION ACROSS THE LINE START
(FOR Y START DELTA RUN, REMOVE THE JUMPERS)

LOW VOLTAGE
MUST BE REWIRED
AS SHOWN

HIGH VOLTAGE
FACTORY WIRED FOR HIGH
VOLTAGE AS SHOWN



				TOLERANCES UNLESS SPECIFIED		ELECTRIC MOTORS GEARMOTORS AND DRIVES	DRAWN CW 08/28/02 CHK APPD SCALE 1:1 REF FMF PREV
				DEC.	INCHES		TITLE DELTA - WYE CONNECTION DIAGRAM IEC CAST IRON MOTORS
				X	+ .1	NO. REVISION BY & DATE CHK ANG + 1/2° FINISH	
				XX	+ .01		RFP CAD FILE 00417203 SIZE A DRAWING NO. 004172-03 REV.
				XXX	+ .005	THIS DRAWING IN DESIGN AND DETAIL IS OUR PROPERTY AND MUST NOT BE USED EXCEPT IN CONNECTION WITH OUR WORK ALL RIGHTS OF DESIGN AND INVENTION ARE RESERVED THIS IS AN ELECTRONICALLY GENERATED DOCUMENT - DO NOT SCALE THIS PRINT	
				XXXX	+ .0005		RFP CAD FILE 00417203 SIZE A DRAWING NO. 004172-03 REV.
				ANG	+ 1/2°	THIS IS AN ELECTRONICALLY GENERATED DOCUMENT - DO NOT SCALE THIS PRINT	
							RFP CAD FILE 00417203 SIZE A DRAWING NO. 004172-03 REV.

ERROR: syntaxerror
OFFENDING COMMAND: --nostringval--

STACK:

/CB
-dictionary-
/Pscript_WinNT_Compat
-dictionary-