

PRODUCT INFORMATION PACKET



Model No: 170045.60

Catalog No: 170045.60

WATTSaver® General Purpose Motor, 75 & 60 HP, 3 Ph, 60 & 50 Hz, 208-230/460 & 190/380 V,
3600 & 3000 RPM, 365TS Frame, TEFC



Regal and Leeson are trademarks of Regal Rexnord Corporation or one of its affiliated companies.

©2023 Regal Rexnord Corporation, All Rights Reserved. MC017097E





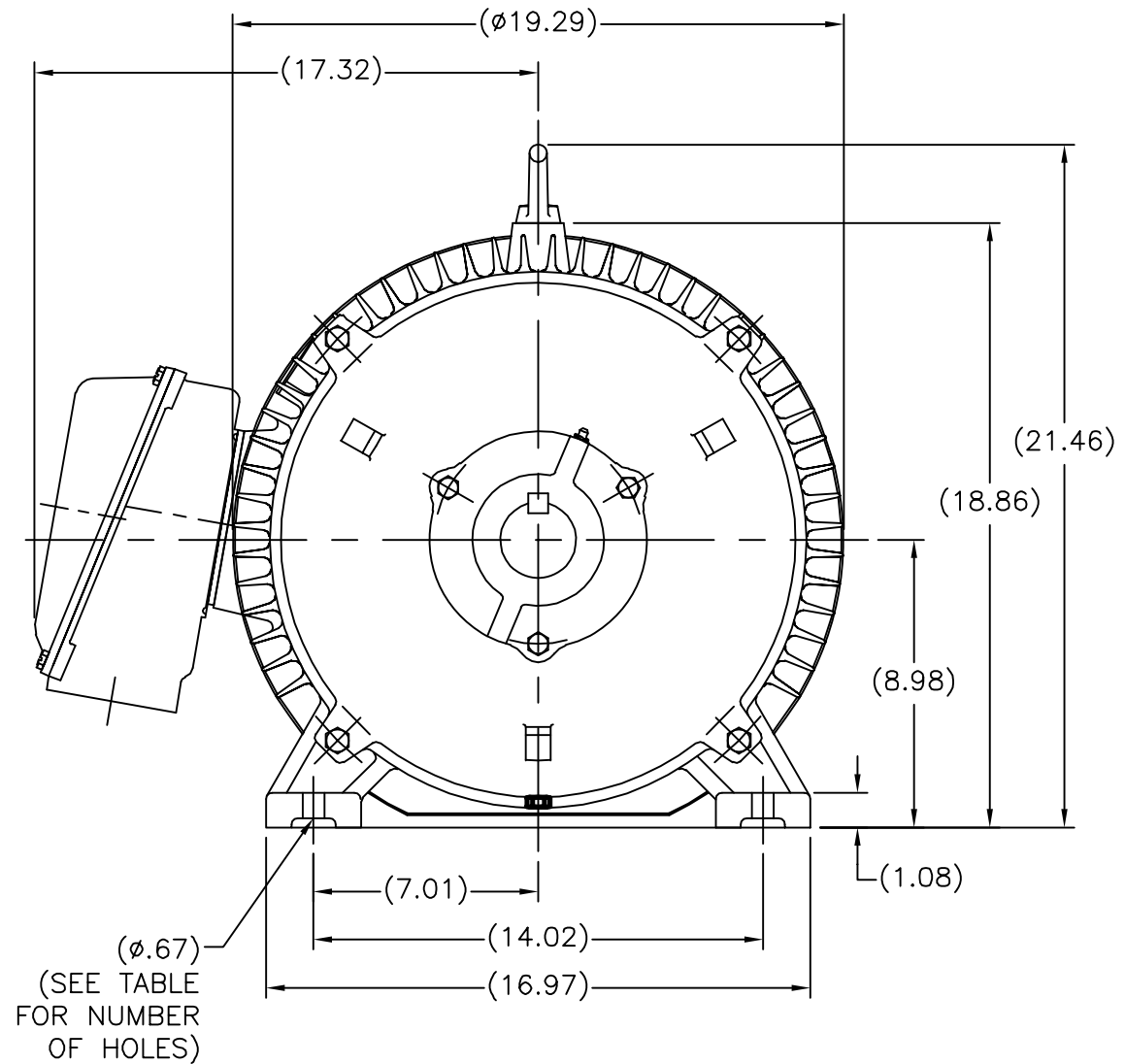
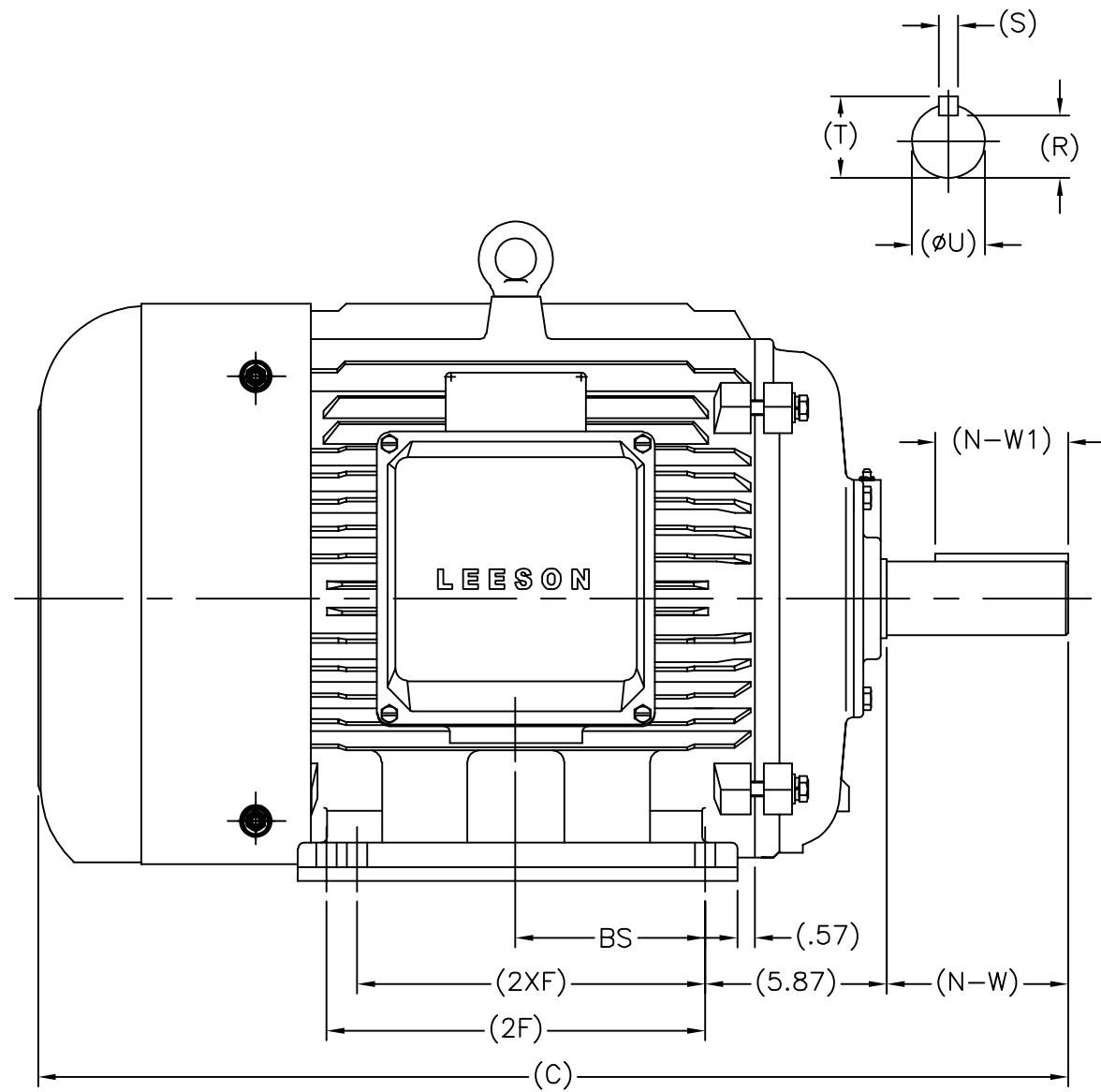
Nameplate Specifications

Phase	3	Output HP	75 & 60 Hp
Output KW	56.0 & 45.0 kW	Voltage	208-230/460 & 190/380 V
Speed	3575 & 2970 rpm	Service Factor	1.15 & 1.15
Frame	365TS	Enclosure	Totally Enclosed Fan Cooled
Thermal Protection	Thermostat	Efficiency	94.5 & 94.5 %
Ambient Temperature	40 °C	Frequency	60 & 50 Hz
Current	190-169/84.5 & 157/78.5 A	Power Factor	89
Duty	Continuous	Insulation Class	F
Design Code	B	KVA Code	G
Drive End Bearing Size	6313	Opp Drive End Bearing Size	6313
UL	Recognized	CSA	Y
CE	N	IP Code	43
Number of Speeds	1		

Technical Specifications

Electrical Type	Squirrel Cage Inverter Rated	Starting Method	Wye Start Delta Run Or Inverter
Poles	2	Rotation	Reversible
Resistance Main	.0612 Ohms	Mounting	Rigid Base
Motor Orientation	Horizontal	Drive End Bearing	Ball
Opp Drive End Bearing	Ball	Frame Material	Cast Iron
Shaft Type	TS	Overall Length	31.18 in
Shaft Diameter	1.875 in	Shaft Extension	3.75 in
Assembly/Box Mounting	F1 ONLY	Inverter Load	CONSTANT 10:1
Connection Drawing	004172.01	Outline Drawing	SS622180LE

SS622180LE

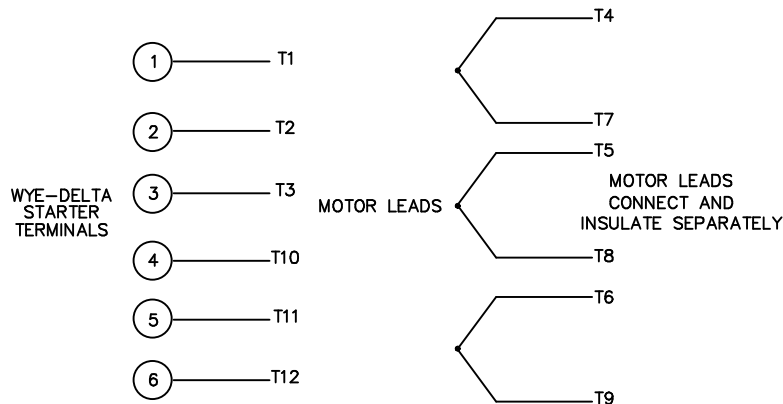
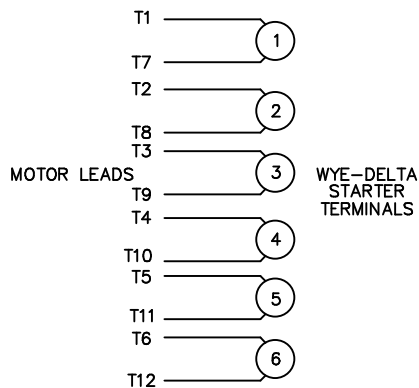


												TOLERANCES UNLESS SPECIFIED		REGAL REGAL-BELOIT CORPORATION		DRAWN MSG 02/13/2007			
												DEC.	INCHES			CHK	ML 02/16/2007		
												.X	±.1			APPD	SB 02/23/2007		
												.XX	±.03	TITLE OUTLINE		SCALE N/A			
												.XXX	±.005	360 FR. - TEFC - (REDESIGNED)		REF			
												.XXXX	±.0005	MAT'L.		FMF HEBEI			
												ANG	±7'30"	FINISH		PREV			
FRAME	C	2F	2XF	HOLES	N-W	N-W1	øU	R	S	T	BS	NO.	REVISION	BY & DATE	CHK	ANG	FINISH	PREV	
NT364TS-2	30.20	11.26	---	4	3.74	2.05	1.87	1.59	0.50	2.09	---	1	ADDED BS DIM. UPDATED TITLE BLOCK, ECO-0048910	RFH 04/07/2014	EH	.XXXX	±.0005		
NT365TS-2	31.18	12.24	11.26	6	3.74	2.05	1.87	1.59	0.50	2.09	---								
NT364T-4, 6	32.32	11.26	---	4	5.87	4.29	2.37	2.01	0.63	2.64	5.60								
NT365T-4, 6	33.31	12.24	11.26	6	5.87	4.29	2.37	2.01	0.63	2.64	6.10								
THIS DRAWING IN DESIGN AND DETAIL IS OUR PROPERTY AND MUST NOT BE USED EXCEPT IN CONNECTION WITH OUR WORK ALL RIGHTS OF DESIGN AND INVENTION ARE RESERVED THIS IS AN ELECTRONICALLY GENERATED DOCUMENT - DO NOT SCALE THIS PRINT												RFP		CAD FILE SS622180LE		SIZE	DRAWING NO.	PAGE 1 OF 1	REV.
												DIST				A	SS622180LE		1

WYE - DELTA STARTING USEABLE ON 2,4 AND 6 POLE MOTORS.

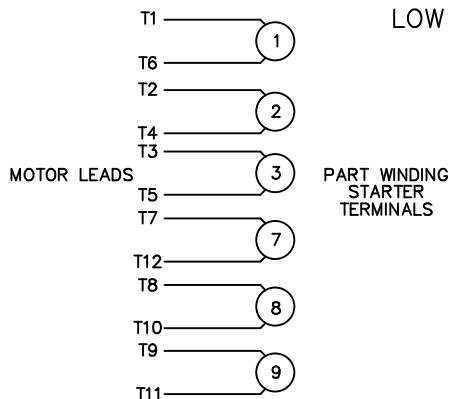
LOW VOLTAGE CONNECTION

HIGH VOLTAGE CONNECTION



REFER TO THE WYE-DELTA STARTER CONNECTION INSTRUCTIONS FOR PROPER CONNECTION OF POWER LINES TO STARTER.

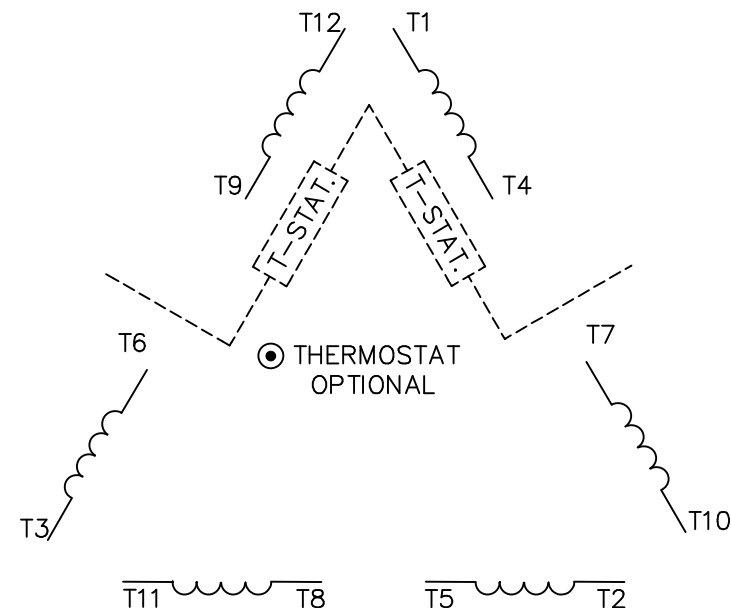
PART WINDING START USABLE ON 4 & 6 POLE MOTORS
LOW VOLTAGE CONNECTION ONLY



REFER TO THE PART WINDING STARTER INSTRUCTIONS FOR PROPER CONNECTION OF POWER LINES TO STARTER.

REFER TO THE CUTLER - HAMMER OR EQUIV. FOR PROPER SELECTION OF OVERLOAD HEATER COILS.

LINE LEADS



ROTATION CAN BE REVERSED BY INTERCHANGING ANY TWO LINE LEADS
● RED LEADS OR P1, P2, FOR N/C THERMOSTAT

ACROSS THE LINE START & RUN

	LINE 1	LINE 2	LINE 3	JOIN & INSULATE SEPARATELY
HIGH VOLT	T1, T12	T2, T10	T3, T11	(T4, T7) (T5, T8) (T6, T9)
LOW VOLT	T1, T6 T7, T12	T2, T4 T8, T10	T3, T5 T9, T11	

TOLERANCES UNLESS SPECIFIED
DEC. INCHES



ELECTRIC MOTORS
GEARMOTORS
AND DRIVES

DRAWN WLW 09/08/77
CHK RPB 09/12/77
APPD JCW 09/12/77

NO.	REVISION	BY & DATE	CHK	ANG	±1/2'
03	REV'D LOW VOLTAGE CONN. LEADS PER ELEC.	BJB 06/07/00	.XX	±.01	
02	ADDED T-STAT. NOTES PER ELECTRICAL	KMM 06/02/98	.XXX	±.005	
01	REDRAWN TO CAD	DBT 06/02/97	.XXXX	±.0005	

TITLE	DELTA - WYE CONNECTION DIAGRAM
MAT'L.	
FINISH	

SCALE	1=1
REF	
FMF	
PREV	

THIS DRAWING IN DESIGN AND DETAIL IS OUR PROPERTY AND MUST NOT BE USED EXCEPT IN CONNECTION WITH OUR WORK ALL RIGHTS OF DESIGN AND INVENTION ARE RESERVED THIS IS AN ELECTRONICALLY GENERATED DOCUMENT - DO NOT SCALE THIS PRINT

RFP	CAD FILE	00417201	SIZE	DRAWING NO.	REV.
DIST			A	004172-01	03

Data Sheet

Date: 1/29/2018

170045.60



Data @ **460 V**

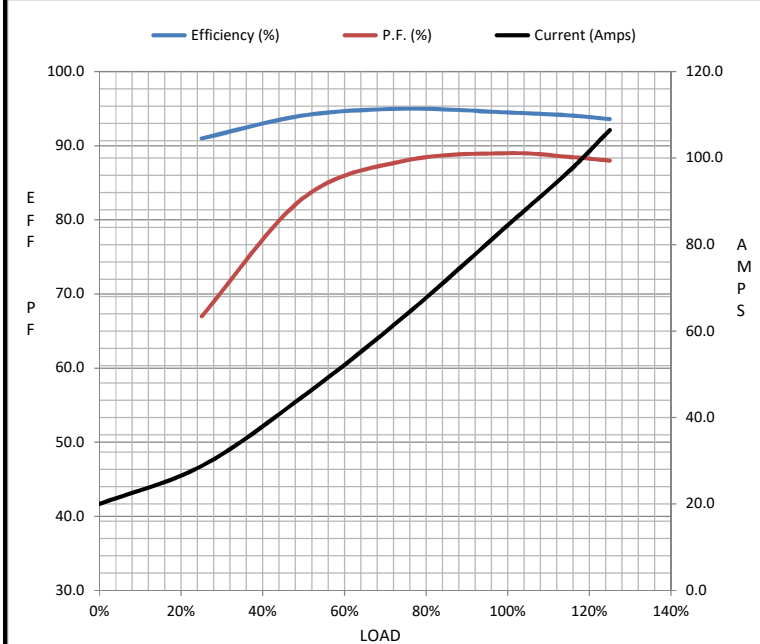
Motor Load Data

Load	0%	25%	50%	75%	100%	115%	125%	LR
Current (Amps)	20.0	28.8	45.0	63.7	84.5	97.0	107	542
Torque (ft-lb)	0.00	28.0	55.6	83.5	111	128	139	217
RPM	3600	3590	3585	3580	3575	3,568	3560	0
Efficiency (%)		91.0	94.1	95.0	94.5	94.1	93.6	
P.F. (%)	11.5	67.0	83.0	88.0	89.0	88.5	88.0	0.0

Motor Speed Data

	LR	Pull-Up	BD	Rated	Idle
Speed (RPM)	0	1200	3330	3575	3600
Current (Amps)	542	525	391	84.5	20.0
Torque (ft-lb)	217	185	288	111	0.00

Information Block				
HP	75.0			
Sync. RPM	3600			
Frame	365			
Enclosure	TEFC			
Construction	TFC			
Voltage	208-230/460#190/380 V			
Frequency	60 Hz			
Design	A			
LR Code letter	G			
Service Factor	1.15			
Temp Rise @ FL	60 °C			
Duty	CONT			
Ambient	40 °C			
Elevation	1,000 feet			
Rotor/Shaft wk ²	8.1 Lb-Ft ²			
Ref Wdg	T18302017 FR			
Sound Pressure @ 1M	999 dBA			
VFD Rating	CONSTANT 10:1			
Outline Dwg	SS622180LE			
Conn. Diag	004172.01			
Additional Specifications:				
0				
0				
EQUIV CKT (OHMS / PHASE)				
R1	R2	X1	X2	Xm
0.0000	0.0000	0.0000	0.0000	0.0000



Speed - Torque Curve

