

# PRODUCT INFORMATION PACKET



Model No: 170027.00

Catalog No: 170027.00

General Purpose Motor, 60 & 50 HP, 3 Ph, 60 & 50 Hz, 208-230/460 & 190/380 V, 1800 & 1500 RPM,  
364T Frame, TEFC



Regal and Leeson are trademarks of Regal Rexnord Corporation or one of its affiliated companies.

©2023 Regal Rexnord Corporation, All Rights Reserved. MC017097E





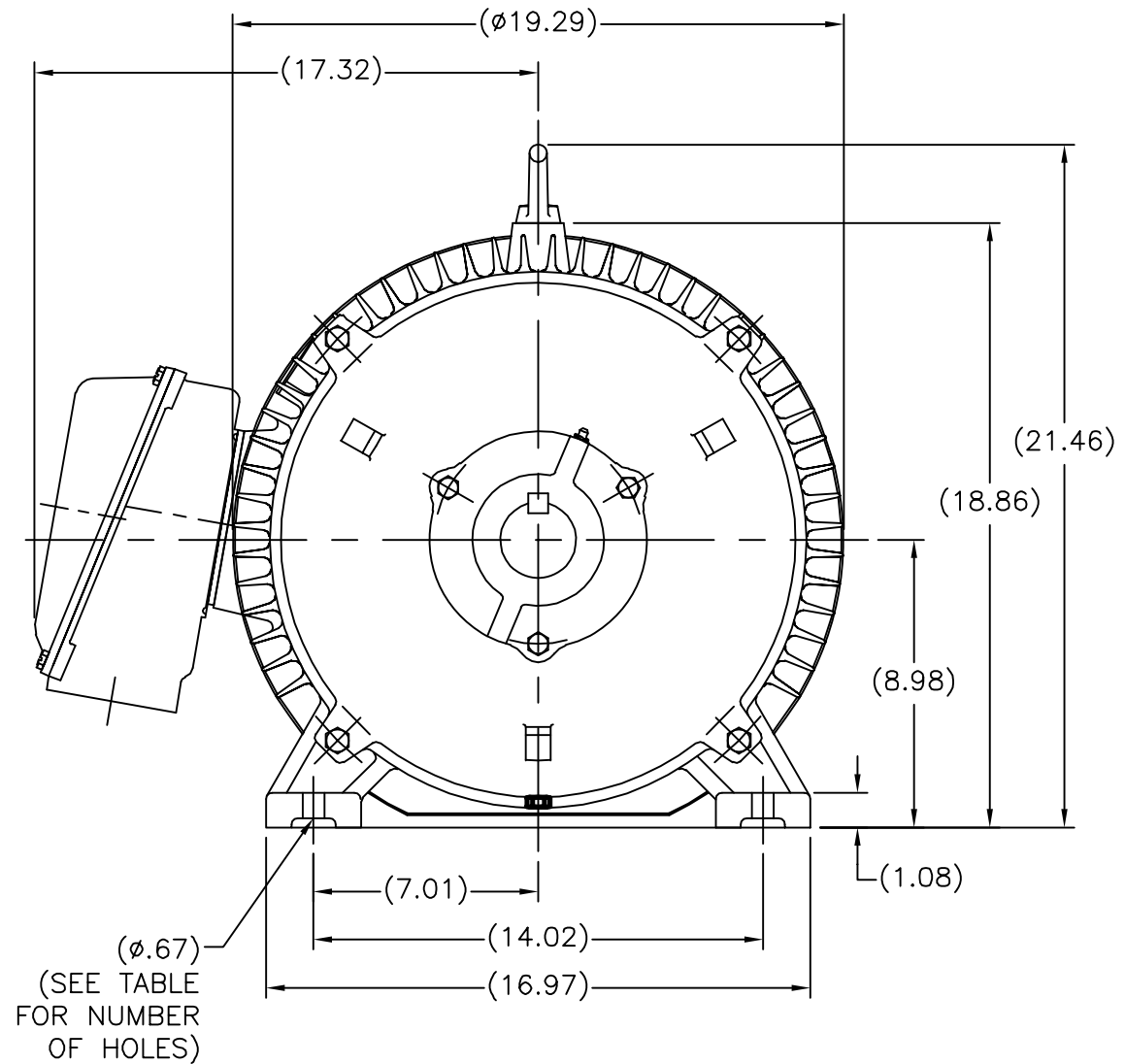
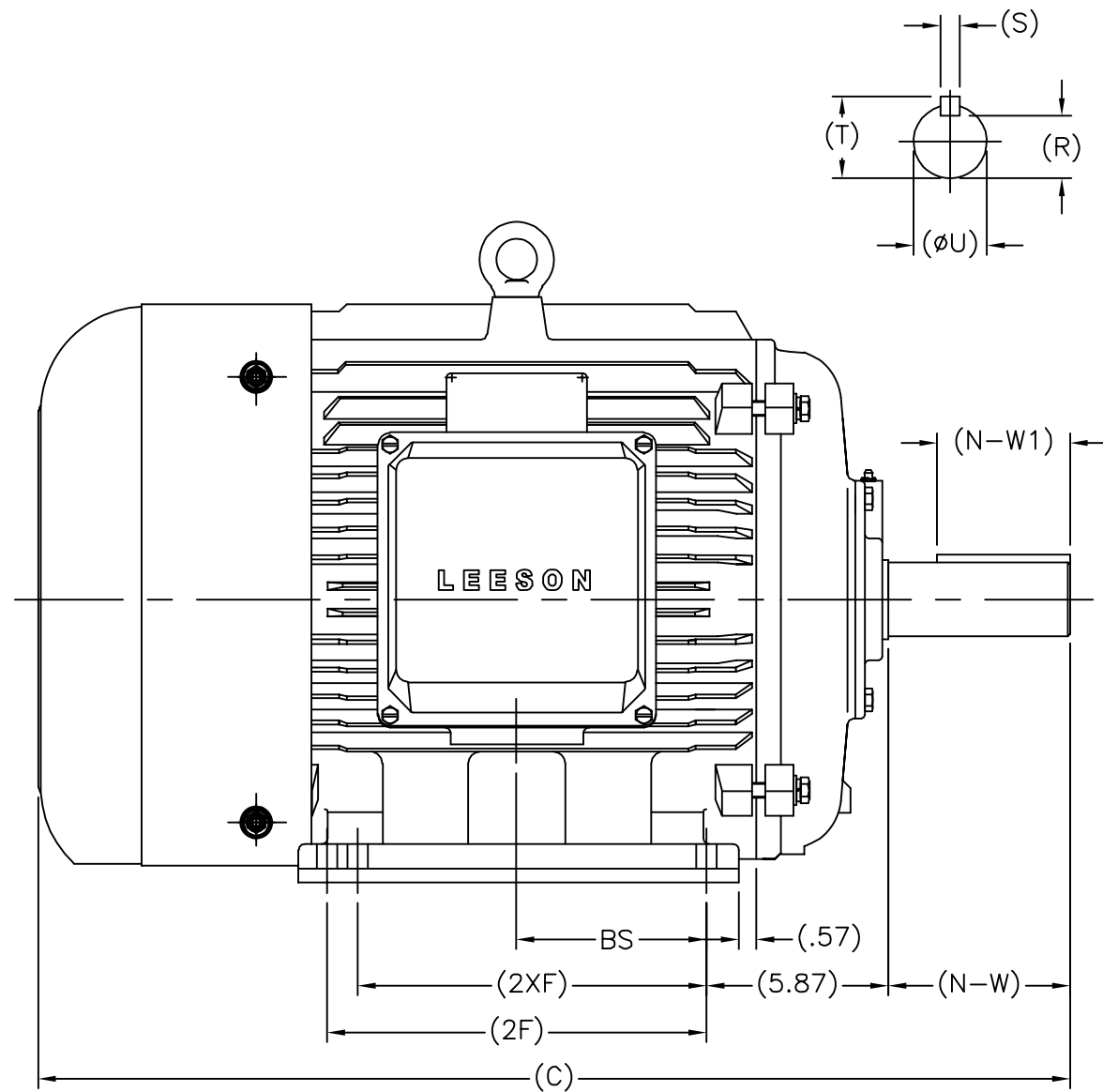
### Nameplate Specifications

Phase	<b>3</b>	Output HP	<b>60 &amp; 50 Hp</b>
Output KW	<b>45.0 &amp; 37.0 kW</b>	Voltage	<b>208-230/460 &amp; 190/380 V</b>
Speed	<b>1790 &amp; 1490 rpm</b>	Service Factor	<b>1.15 &amp; 1.15</b>
Frame	<b>364T</b>	Enclosure	<b>Totally Enclosed Fan Cooled</b>
Thermal Protection	<b>No Protection</b>	Efficiency	<b>95.4 &amp; 95 %</b>
Ambient Temperature	<b>40 °C</b>	Frequency	<b>60 &amp; 50 Hz</b>
Current	<b>147-139/69.5 &amp; 137/68.5 A</b>	Power Factor	<b>84.5</b>
Duty	<b>Continuous</b>	Insulation Class	<b>F</b>
Design Code	<b>B</b>	KVA Code	<b>G</b>
Drive End Bearing Size	<b>6313</b>	Opp Drive End Bearing Size	<b>6313</b>
UL	<b>Recognized</b>	CSA	<b>Y</b>
CE	<b>Y</b>	IP Code	<b>43</b>
Number of Speeds	<b>1</b>		

### Technical Specifications

Electrical Type	<b>Squirrel Cage Induction Run</b>	Starting Method	<b>Wye Start Delta Run</b>
Poles	<b>4</b>	Rotation	<b>Reversible</b>
Resistance Main	<b>.06 Ohms</b>	Mounting	<b>Rigid Base</b>
Motor Orientation	<b>Horizontal</b>	Drive End Bearing	<b>Ball</b>
Opp Drive End Bearing	<b>Ball</b>	Frame Material	<b>Cast Iron</b>
Shaft Type	<b>T</b>	Overall Length	<b>32.32 in</b>
Shaft Diameter	<b>2.375 in</b>	Shaft Extension	<b>5.87 in</b>
Assembly/Box Mounting	<b>F1/F2 CAPABLE</b>		
Connection Drawing	<b>004172.03</b>	Outline Drawing	<b>SS622180LE</b>

SS622180LE

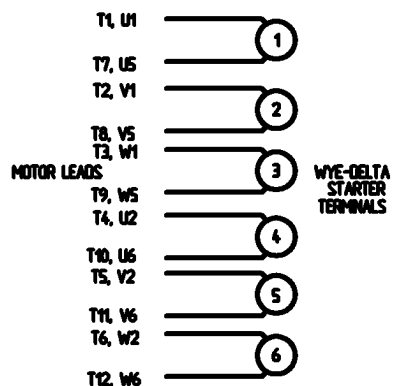


												TOLERANCES UNLESS SPECIFIED		REGAL REGAL-BELOIT CORPORATION		DRAWN MSG 02/13/2007					
												DEC.	INCHES			CHK	ML 02/16/2007				
												.X	±.1			APPD	SB 02/23/2007				
												.XX	±.03	TITLE OUTLINE		SCALE N/A					
												.XXX	±.005	360 FR. - TEFC - (REDESIGNED)		REF					
												.XXXX	±.0005	MAT'L.		FMF HEBEI					
												ANG	±7'30"	FINISH		PREV					
												RFP		CAD FILE SS622180LE		SIZE	DRAWING NO. PAGE 1 OF 1 REV.				
												DIST				A	SS622180LE 1				
NT364TS-2	30.20	11.26	---	4									1	ADDED BS DIM. UPDATED TITLE BLOCK, ECO-0048910	RFH 04/07/2014	EH	.XXXX	±.0005			
NT365TS-2	31.18	12.24	11.26	6	3.74	2.05	1.87	1.59	0.50	2.09	---										
NT364T-4, 6	32.32	11.26	---	4								5.60									
NT365T-4, 6	33.31	12.24	11.26	6	5.87	4.29	2.37	2.01	0.63	2.64	6.10										

THIS DRAWING IN DESIGN AND DETAIL IS OUR PROPERTY AND MUST NOT BE USED EXCEPT IN CONNECTION WITH OUR WORK ALL RIGHTS OF DESIGN AND INVENTION ARE RESERVED THIS IS AN ELECTRONICALLY GENERATED DOCUMENT - DO NOT SCALE THIS PRINT

WYE - DELTA STARTING USEABLE ON 2,4 AND 6 POLE MOTORS.

LOW VOLTAGE CONNECTION

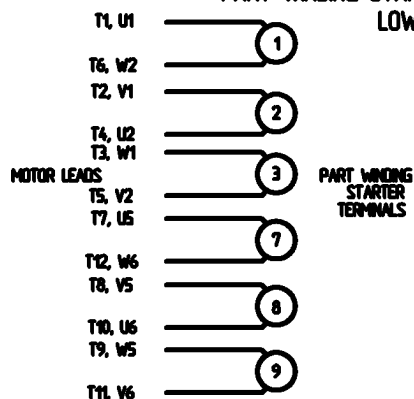


HIGH VOLTAGE CONNECTION



REFER TO THE WYE-DELTA STARTER CONNECTION INSTRUCTIONS FOR PROPER CONNECTION OF POWER LINES TO STARTER.

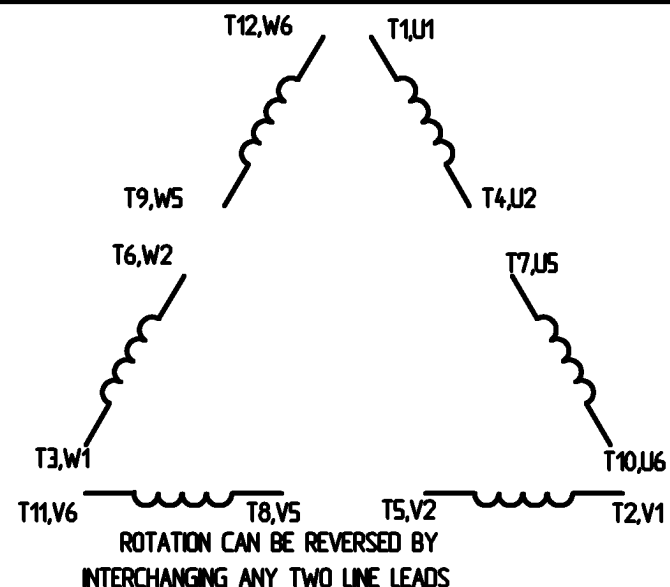
PART WINDING START USABLE ON 4 & 6 POLE MOTORS  
LOW VOLTAGE CONNECTION ONLY



REFER TO THE PART WINDING STARTER INSTRUCTIONS FOR PROPER CONNECTION OF POWER LINES TO STARTER.

REFER TO THE CUTLER - HAMMER OR EQUIV. FOR PROPER SELECTION OF OVERLOAD HEATER COILS.

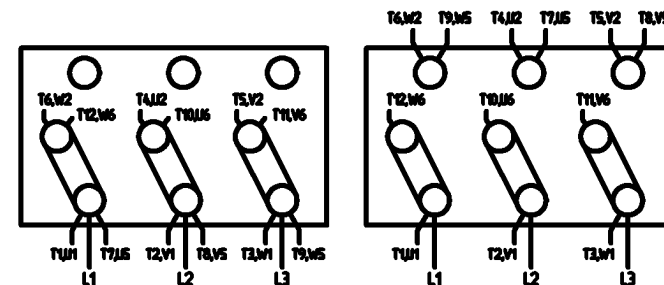
LINE LEADS



12 LEAD DELTA CONNECTION ACROSS THE LINE START  
(FOR Y START DELTA RUN, REMOVE THE JUMPERS)

LOW VOLTAGE  
MUST BE REWIRED  
AS SHOWN

HIGH VOLTAGE  
FACTORY WIRED FOR HIGH  
VOLTAGE AS SHOWN



				TOLERANCES UNLESS SPECIFIED		<b>LEESON</b> ELECTRIC MOTORS GEARMOTORS AND DRIVES	DRAWN	CJW 08/28/02	
				DEC.	INCHES		CHK		
				X	+ .1	TITLE	SCALE	1:1	
				XX	+ .01	DELTA - WYE CONNECTION DIAGRAM IEC CAST IRON MOTORS	REF		
				XXX	+ .005		PMF		
				XXXX	+ .0005	MAT'L	PREV		
NO.	REVISION	BY & DATE	CHK	ANG	+ 1/2°	FINISH			
THIS DRAWING IN DESIGN AND DETAIL IS OUR PROPERTY AND MUST NOT BE USED EXCEPT IN CONNECTION WITH OUR WORK. ALL RIGHTS OF DESIGN AND INVENTION ARE RESERVED. THIS IS AN ELECTRONICALLY GENERATED DOCUMENT - DO NOT SCALE THIS PRINT.				RFP	CAD FILE	00417203	SIZE	DRAWING NO.	REV.
				DST			A	004172-03	

ERROR: syntaxerror  
OFFENDING COMMAND: --nostringval--

STACK:

/CB  
-dictionary-  
/Pscript\_WinNT\_Compat  
-dictionary-