

# PRODUCT INFORMATION PACKET



Model No: 151685.60

Catalog No: 151685.60

DISCONTINUED - REPLACED BY G151685.60 - 25HP.18.7&15kW.3540/2945RPM.256.DP.208-230/460V.3PH.60/50HZ.COM  
T.NOT.40C.1.15/1.15SF.ROUND.GENERAL PURPOSE.C256T34DC2A

Regal and Leeson are trademarks of Regal Rexnord Corporation or one of its affiliated companies.

©2023 Regal Rexnord Corporation, All Rights Reserved. MC017097E





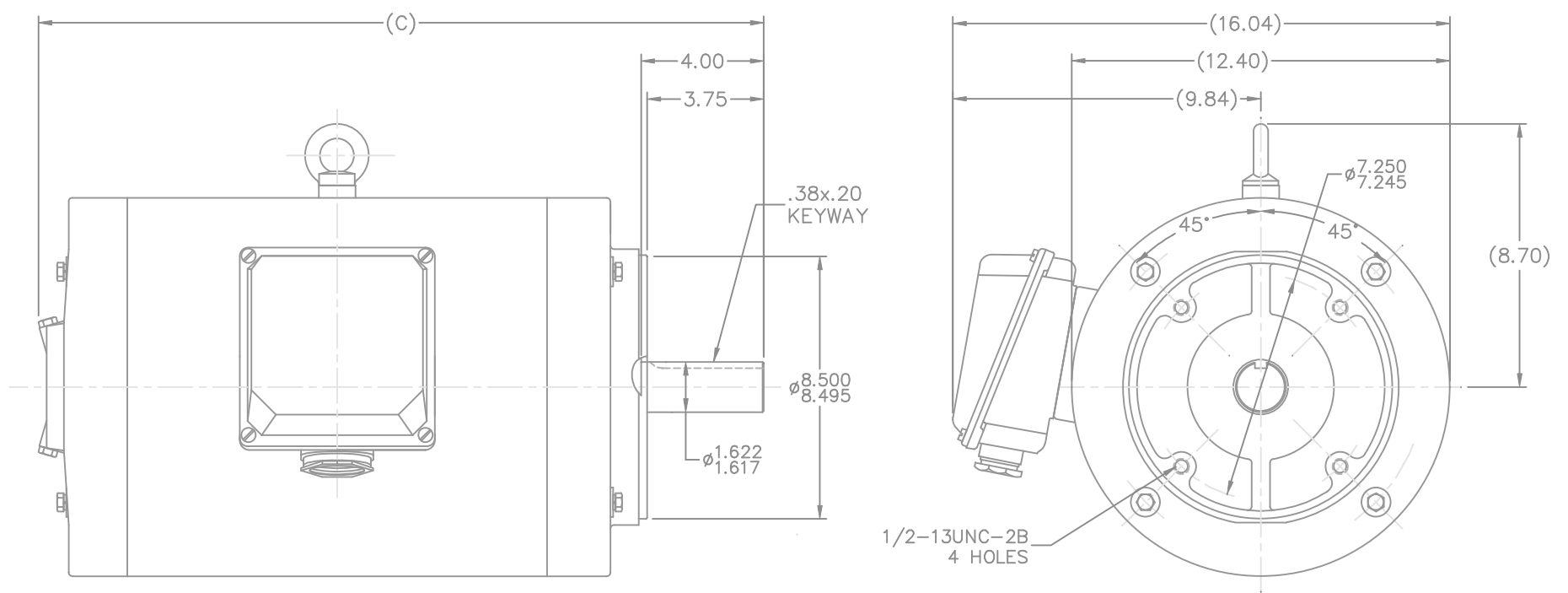
### Nameplate Specifications

Phase	3	Output HP	25 & 20 Hp
Output KW	18.7 & 14.9 kW	Voltage	208-230/460 & 190/380 V
Speed	3540 & 2945 rpm	Service Factor	1.25 & 1.25
Frame	256TC	Enclosure	Drip Proof
Thermal Protection	No Protection	Efficiency	91 & 91 %
Ambient Temperature	40 °C	Frequency	60 & 50 Hz
Current	63-57/28.5 & 54.4/27.2 A	Power Factor	90
Duty	Continuous	Insulation Class	F
Design Code	B	KVA Code	G
Drive End Bearing Size	6309	Opp Drive End Bearing Size	6208
UL	Recognized	CSA	N
CE	N	IP Code	22
Number of Speeds	1		

### Technical Specifications

Electrical Type	Squirrel Cage Induction Run	Starting Method	Across The Line
Poles	2	Rotation	Reversible
Resistance Main	.0941 Ohms	Mounting	Round
Motor Orientation	Horizontal	Drive End Bearing	Ball
Opp Drive End Bearing	Ball	Frame Material	Cast Iron
Shaft Type	T	Assembly/Box Mounting	F1/F2 CAPABLE
Outline Drawing	SS622037LE	Connection Drawing	04172.01

This is an uncontrolled document once printed or downloaded and is subject to change without notice. Date Created:06/22/2023



(DRAWING IS NOT TO SCALE)

FRAME	C
N254TC-2	21.38
N254TC-4	21.38
N256TC-2	23.03
N256TC-4	23.03

		TOLERANCES UNLESS SPECIFIED		LEESON	ELECTRIC MOTORS GEARMOTORS AND DRIVES	DRAWN								
		DEC.	INCHES			RWR	07-29-2005							
		.X	±.1			CHK								
		.XX	±.03			ML								
		.XXX	±.005			08-16-2005								
		.XXXX	±.0005			APPD								
		CHK	ANG	±1/2"		SCALE								
						5=18								
						REF								
						FNF								
						HE BEI ELEC. MOTR								
						PREV								
						N250TCG(ODP)/B								
NO.		REVISION	BY & DATE	CHK	ANG	±1/2"	FINISH	RFP	CAD FILE	SS622037LE	SIZE	DRAWING NO.	PAGE 1 OF 1	REV.
THIS DRAWING IN DESIGN AND DETAIL IS OUR PROPERTY AND MUST NOT BE USED EXCEPT IN CONNECTION WITH OUR WORK. ALL RIGHTS OF DESIGN AND INVENTION ARE RESERVED. THIS IS AN ELECTRONICALLY GENERATED DOCUMENT - DO NOT SCALE THIS PRINT											B	SS622037LE		