

PRODUCT INFORMATION PACKET



Model No: 150224.60

Catalog No: 150224.60

REPLACED BY 170224.60 - 25HP..3500RPM.284.TEFC./575V.3PH.60HZ.CONT.NOT.40C.1.15SF.RIGID.575 VOLT.C:

Miscellaneous

Regal and Leeson are trademarks of Regal Rexnord Corporation or one of its affiliated companies.

©2021 Regal Rexnord Corporation, All Rights Reserved. MC017097E





Nameplate Specifications

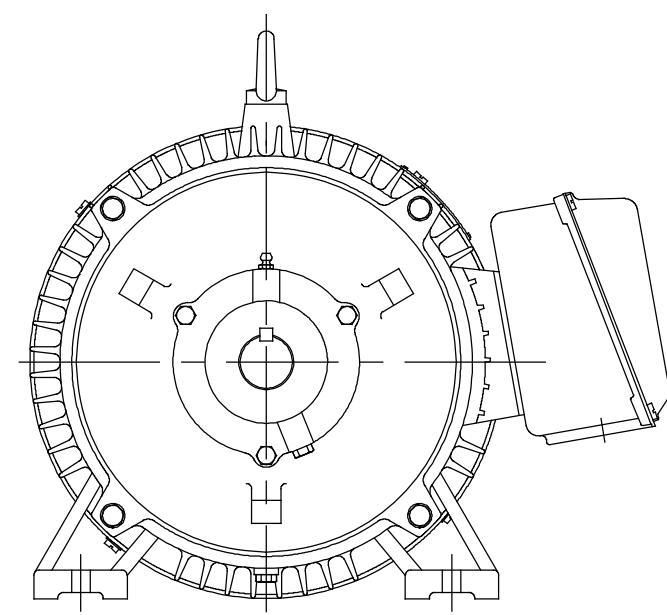
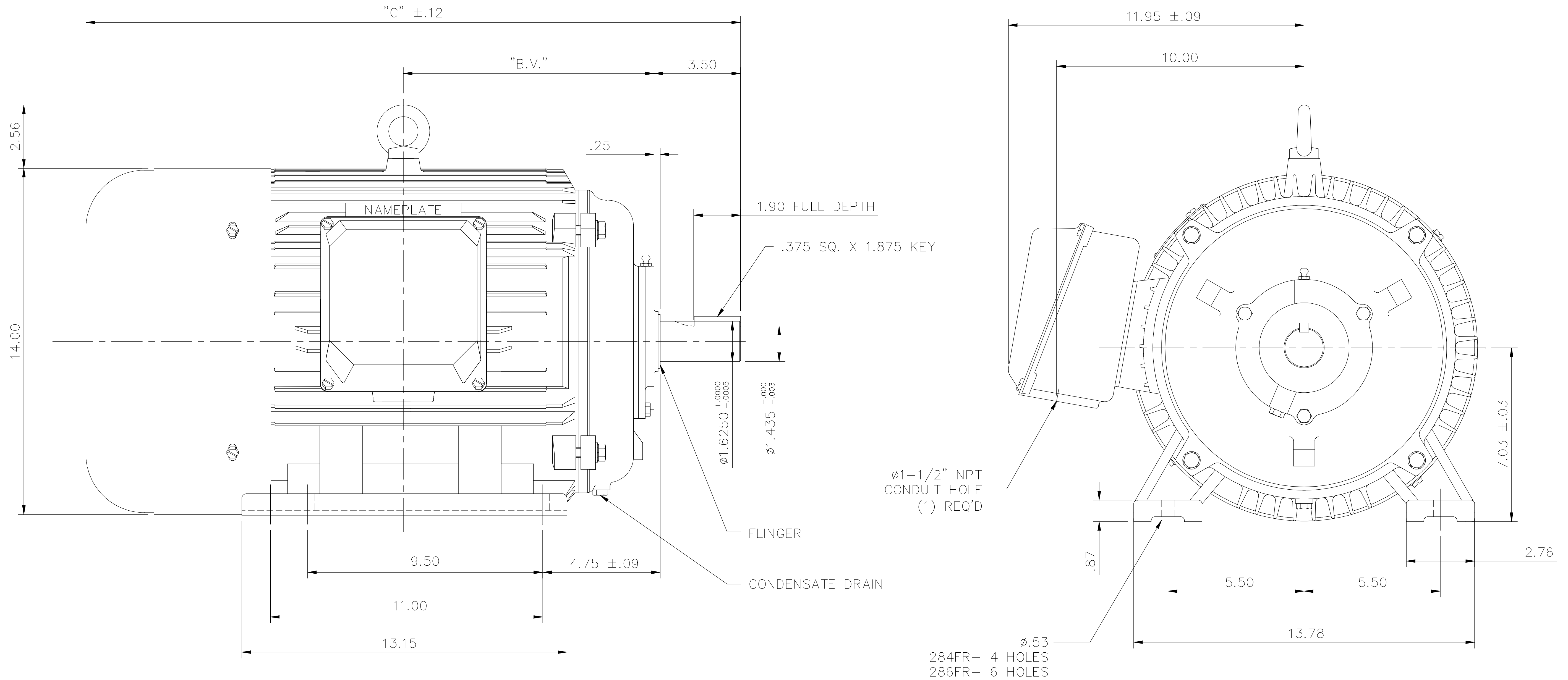
Output HP	25 Hp	Output KW	18.7 kW
Frequency	60 Hz	Voltage	575 V
Current	24.0 A	Speed	3500 rpm
Service Factor	1.15	Phase	3
Efficiency	90.2 %	Power Factor	87.3
Duty	Continuous	Insulation Class	F
Design Code	B	KVA Code	G
Frame	284TS	Enclosure	Totally Enclosed Fan Cooled
Thermal Protection	No	Ambient Temperature	40 °C
Drive End Bearing Size	6311	Opp Drive End Bearing Size	6309
UL	Recognized	CSA	Y
CE	N	IP Code	43
Number of Speeds	1		

Technical Specifications


Electrical Type	Squirrel Cage Induction Run	Starting Method	Across The Line
Poles	2	Rotation	Reversible
Resistance Main	0 Ohms	Mounting	Rigid Base
Motor Orientation	Nan	Drive End Bearing	Ball
Opp Drive End Bearing	Ball	Frame Material	Cast Iron
Shaft Type	TS	Assembly/Box Mounting	NAN
Connection Drawing	005190.01	Outline Drawing	16954060

This is an uncontrolled document once printed or downloaded and is subject to change without notice. Date Created:10/27/2021

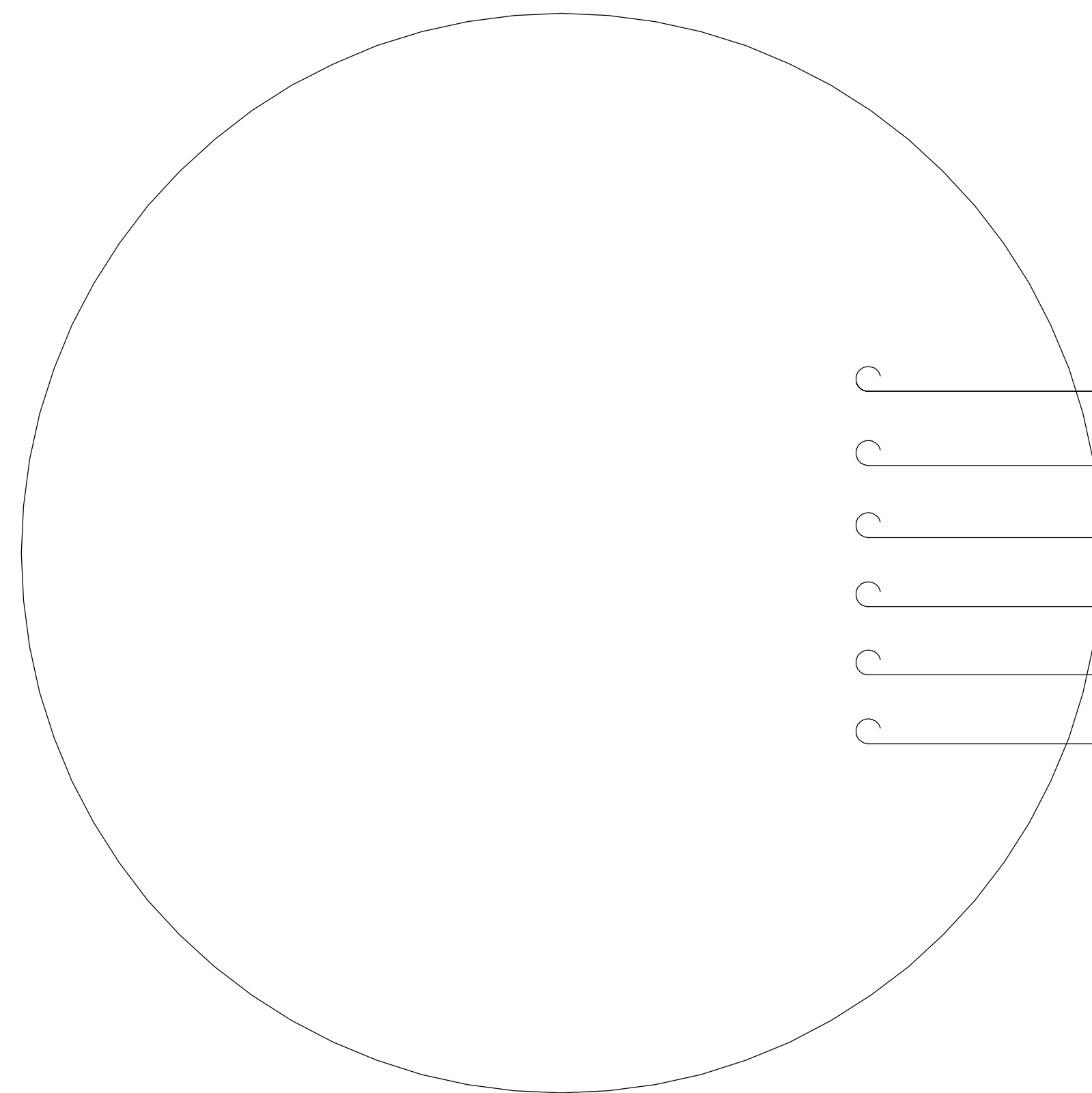
169540-60



F2 VIEW

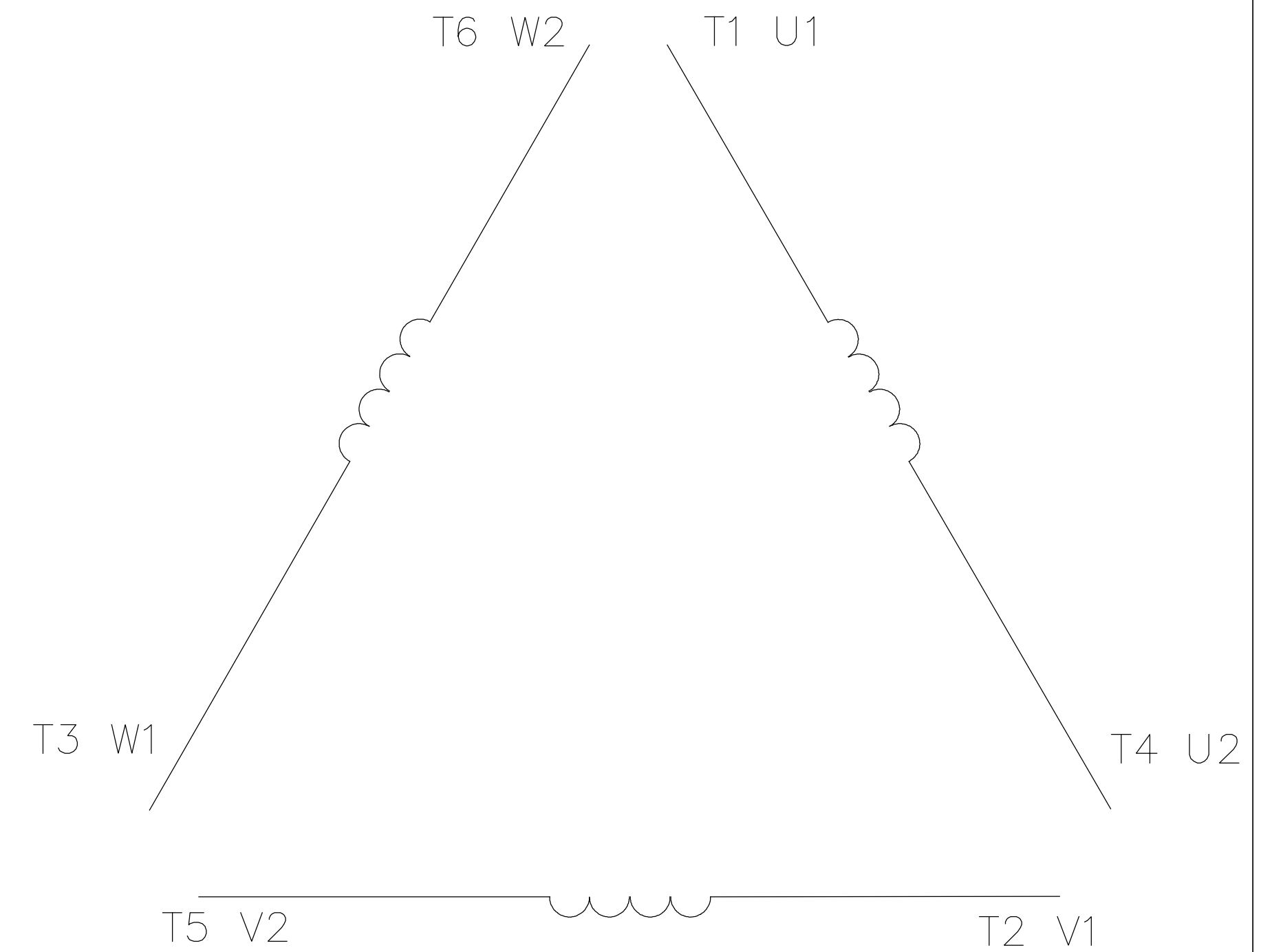
NO.	REVISION	BY & DATE	CHK	TOLERANCES UNLESS SPECIFIED		REGAL-BELOIT CORPORATION	DRAWN JJK 03/29/99		
				DEC.	INCHES				
H	ADDED F2 VIEW ECO-0134445	WGJ 11/10/2017	EMH	.X	±.1	 REGAL-BELOIT CORPORATION TITLE OUTLINE-280TS FRAME, TEFC-RIGID NEW CONDUIT BOX MAT'L. CAST IRON FINISH	CHK		
03	REMOVED REFERENCE TO 250 FRAME	MOL 08/15/2012		.XX	±.03		APPD PG 03/31/99		
02	REDRAWN TO CURRENT CAD STANDARDS	CJK 11/1/01		.XXX	±.005		SCALE 1=4		
01	ADDED HOLES 286TS BASE	JJK 07/13/99		.XXXX	±.0005		REF		
				ANG	±7'30"		FMF		
THIS DRAWING IN DESIGN AND DETAIL IS OUR PROPERTY AND MUST NOT BE USED EXCEPT IN CONNECTION WITH OUR WORK ALL RIGHTS OF DESIGN AND INVENTION ARE RESERVED THIS IS AN ELECTRONICALLY GENERATED DOCUMENT - DO NOT SCALE THIS PRINT				RFP	CAD FILE 16954060	SIZE B	DRAWING NO. 169540-60	PAGE OF	REV. H
				DIST					

005190-01



- T1 U1
- T2 V1
- T3 W1
- T4 U2
- T5 V2
- T6 W2

LINE LEADS



	L1	L2	L3	JOIN
START (WYE)	T1 U1	T2 V1	T3 U2	(T4,T5,T6) (U2,V2,W2)
RUN (DELTA)	(T1,T6) (U1,W2)	(T2,T4) (V1,U2)	(T3,T5) (W1,V2)	

				TOLERANCES UNLESS OTHERWISE SPECIFIED		LEESON ELECTRIC CORPORATION			
				DECIMALS					
04	ADDED MAT'L (CWLE) PER ECO-0168542	DS	6/10/2019			DRAWN PG 05/07/82	EXT. WIRING DIAGRAM STAR START - DELTA RUN		
03	ADDED IEC DESIGNATIONS	MOL	4/27/2012	.00	± .01	CH'K'D. TEM			
02	REMOVED OBSOLETE STATUS	KJH	6/28/99	.000	± .005	APPR. 05/07/82	MAT'L. Y-CONNECTED START (CWLE) DELTA CONNECTED RUN - SINGLE VOLTAGE		
01	REDRAWN ON CAD	DBT	05/30/97	.0000	± .0005	SCALE 1=1			
NO.	REVISION	BY	DATE	FRACTIONS	± 1/64	REF. T2E	FINISH	SIZE	DRAWING NO.
THIS DRAWING IN DESIGN AND DETAIL IS OUR PROPERTY AND MUST NOT BE USED EXCEPT IN CONNECTION WITH OUR WORK ALL RIGHTS OF DESIGN AND INVENTION ARE RESERVED				ANGLES	± 1/2'	FMF	ELECTRO POWER	A	005190-01
				INCH/MM					