

# PRODUCT INFORMATION PACKET

**marathon**<sup>®</sup>  
Motors

Model No: 801124-07  
Catalog No: 801124-07  
HEX SOC HD CAP 3/8-24 X 1.50 STL

Regal and Marathon are trademarks of Regal Rexnord Corporation or one of its affiliated companies.  
©2025 Regal Rexnord Corporation, All Rights Reserved. MC017097E

The logo for Regal Rexnord, featuring a stylized 'R' icon followed by the text 'RegalRexnord'.

Nameplate Specifications

Technical Specifications

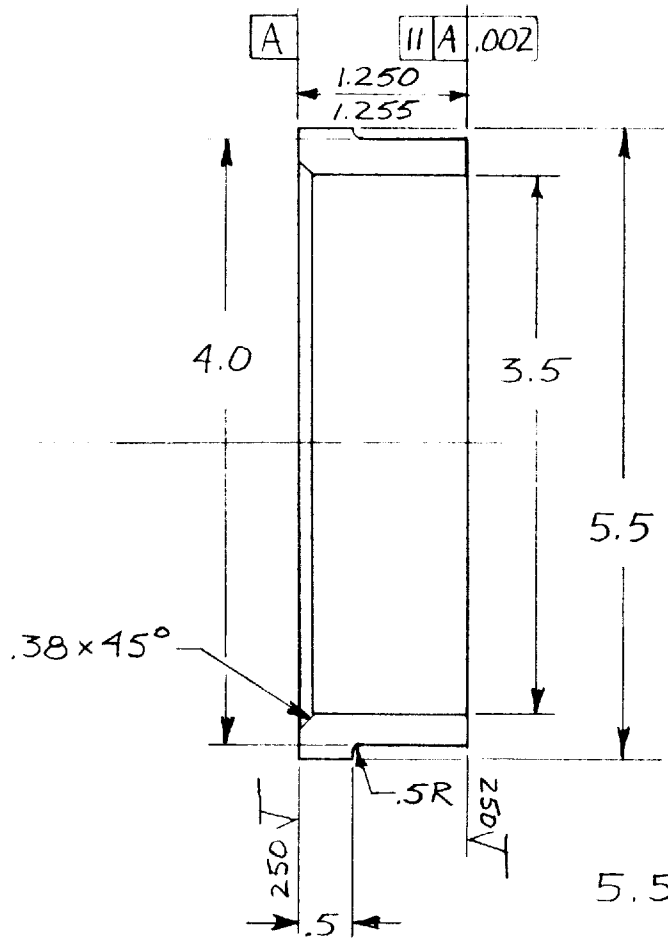
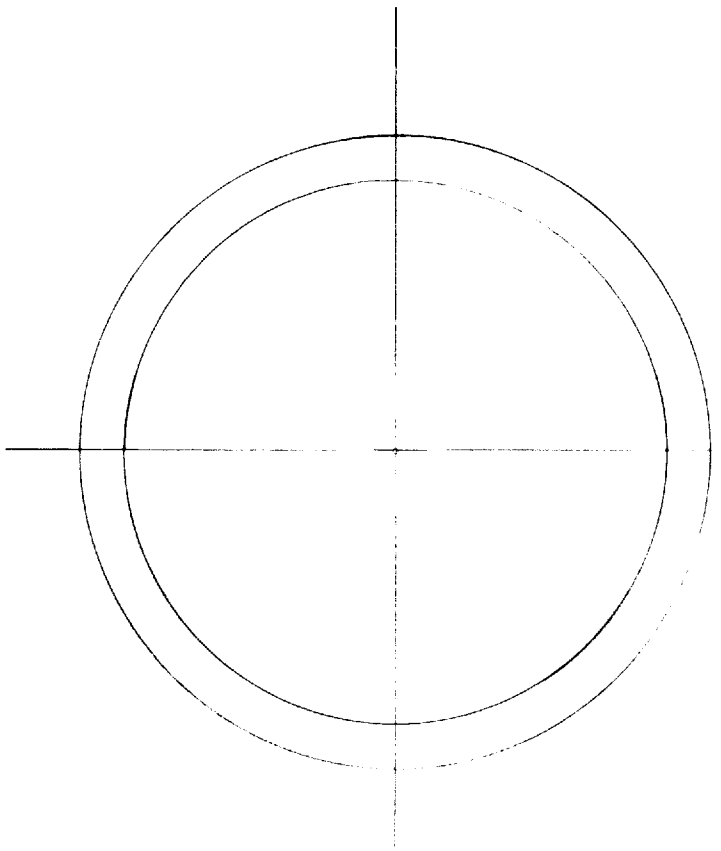
This is an uncontrolled document once printed or downloaded and is subject to change without notice. Date Created:04/05/2025

REVISIONS						
SYM.	NO. CHGS.	DESCRIPTION	E.C. NO.	BY	DATE	CHKD.

LIMITS UNLESS NOTED	
DECIMAL DIMENSIONS	
X.X	± .050
X.XX	± .010
X.XXX	± .005
BREAK ALL SHARP EDGES	.015 MAX.
ANGLES ± 1/4°	

THIS DRAWING CONTAINS CONFIDENTIAL INFORMATION AND IS THE EXCLUSIVE PROPERTY OF DRESSER POWER TRANSMISSION DIVISION, DRESSER INDUSTRIES, INC. NEITHER THE DOCUMENT NOR ITS CONTENTS ARE TO BE USED, REPRODUCED, OR DISCLOSED IN WHOLE OR IN PART, WITHOUT PRIOR, EXPRESS WRITTEN PERMISSION OF DRESSER POWER TRANSMISSION DIVISION, DRESSER INDUSTRIES, INC.

MATERIAL SPECIFICATIONS, MATERIAL PROPERTIES, AND FABRICATION METHODS MAY NOT BE ALTERED EXCEPT WITH FOOTE-JONES WRITTEN APPROVAL.



MAKE FROM  
74S 800282

SCANNED  
"A-SIZE DRAWING"

MAT'L: MILD STEEL TUBING

5.5 O.D. x 3.5 I.D.

SCALE	DATE
DRAWN BY JR	7-21-82
CHECKED BY	
APPROVED BY	

**Foote-Jones** **DRESSER**

FOOTE-JONES OPERATIONS  
POWER TRANSMISSION DIVISION  
DRESSER INDUSTRIES, INC.  
DOWNERS GROVE, ILL. 60515

SPACER  
INT. PINION

DWG. SIZE	1603 HLT	REV.
A	74S 801124	