

PRODUCT INFORMATION PACKET

marathon[®]
Motors

Model No: 143TTDBD16031
Catalog No: GT2001A
1,1800,DP,143JM,3/60/200

Regal and Marathon are trademarks of Regal Rexnord Corporation or one of its affiliated companies.
©2023 Regal Rexnord Corporation, All Rights Reserved. MC017097E

The logo for Regal Rexnord, featuring a stylized 'R' icon followed by the text 'RegalRexnord'.

Nameplate Specifications

Technical Specifications

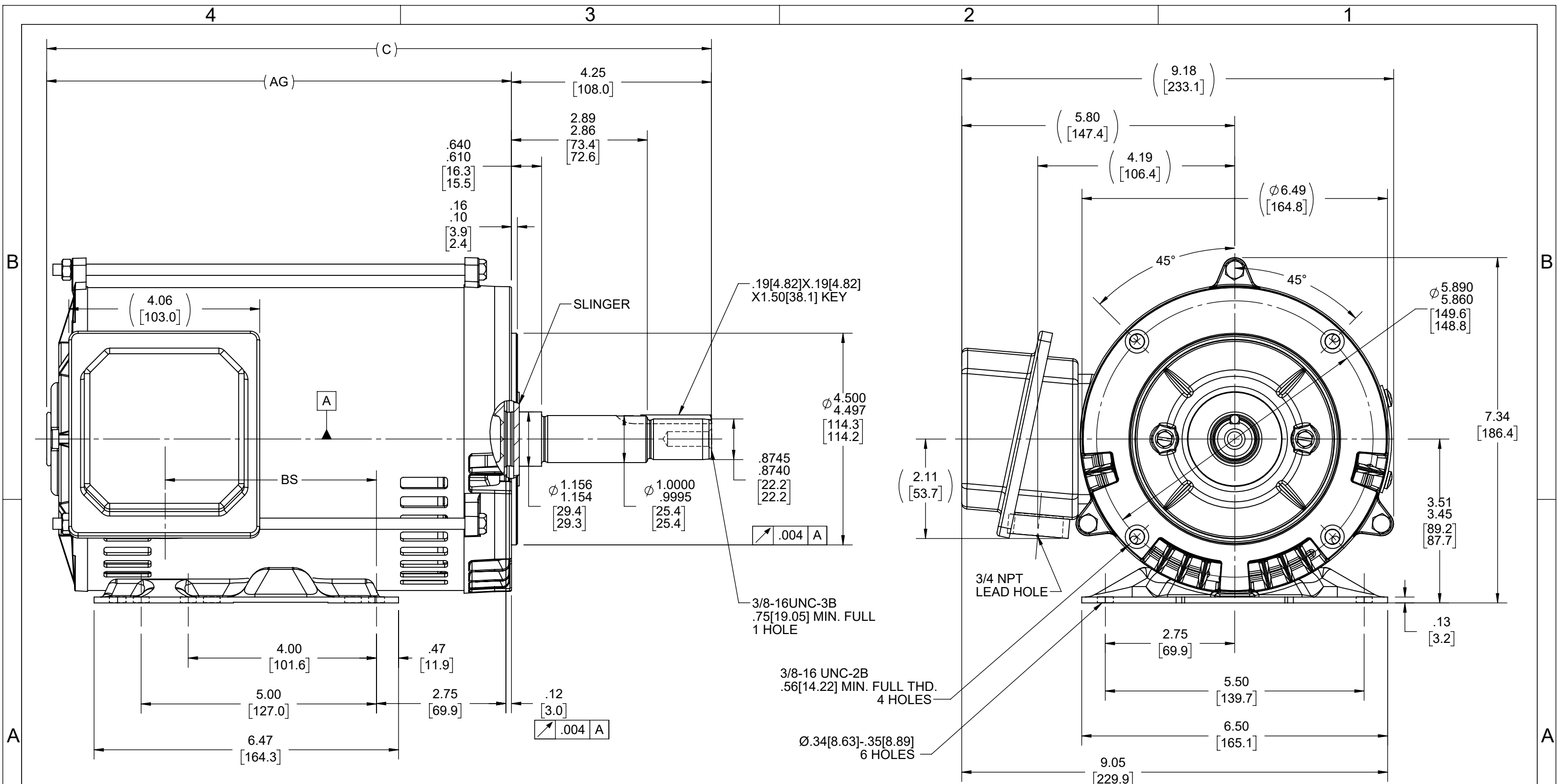
Outline Drawing

SS621035-800

Connection Drawing

EE7300

This is an uncontrolled document once printed or downloaded and is subject to change without notice. Date Created:05/25/2023



DRAWING REVISION E	REVISION BY SAS	REV DATE/© DATE 12/22/2020
ECO CR-0000255	APPROVED BY CD	DATE 12/22/2020

TOLERANCES (EXCEPT AS NOTED):
 DEC. INCH mm ANGLE
 .X ± 0.1 [± 3] $\pm 7' 30''$
 .XX ± 0.03 [± 0.8]
 .XXX ± 0.005 [± 0.13]
 .XXXX ± 0.0005 [± 0.013]
 REMOVE BURRS & BREAK SHARP
 EDGES: .003/.015 [.08/.38] X 45°
 CORNER FILLETS: R.02 [.5]
 MACHINED SURFACES: 200 $\sqrt{.004}$ 5.1
 INCH $\sqrt{.004}$ mm
 mm DIMENSIONS IN [BRACKETS]
 ARE FOR REFERENCE ONLY

DRAWN BY SD	DATE 07/02/2020
APPROVED BY CD	DATE 08/10/2020
REFERENCE	THIRD ANGLE PROJECTION

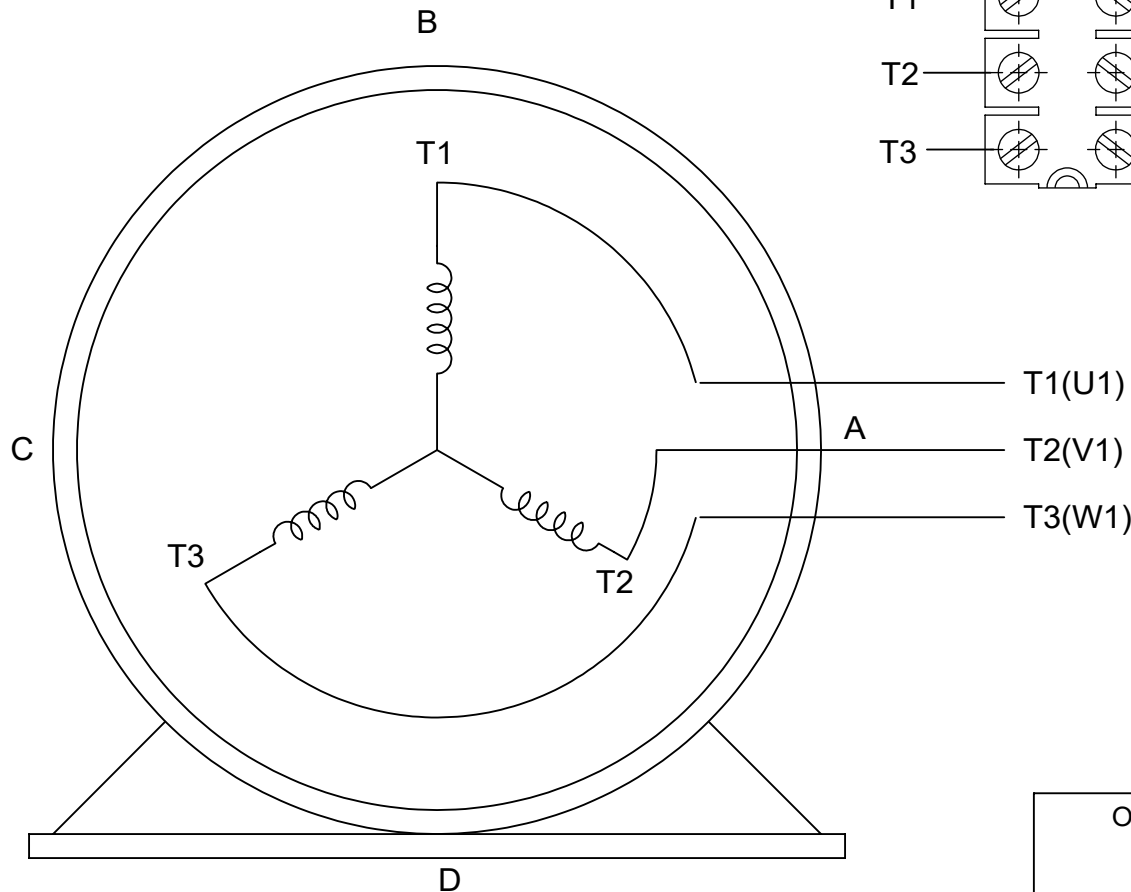
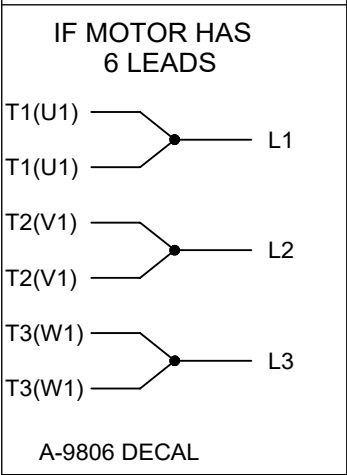
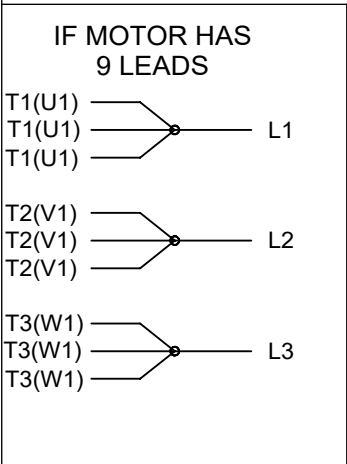
REGAL Regal Beloit America, Inc.	
DESCRIPTION OUTLINE 143/145 JM FR-ODP-RS	
MATERIAL	PROCESS/FINISH
SIZE B	DRAWING NUMBER SS621035
SHEET 1 OF 1	

DASH NO	"C"	"AG"	"BS"
800	14.13	9.88	4.49
850	14.63	10.38	4.99

THREE PHASE - SINGLE VOLTAGE
MOTOR - CONDUIT BOX @ 'A'

TERMINAL BLOCK WHEN SPECIFIED

TO REVERSE ROTATION:
INTERCHANGE ANY TWO LINE
LEAD CONNECTIONS



VIEW OF TERMINAL END

OPTIONAL CORD CONNECTION

L1	WHITE
L2	RED
L3	BLACK

DRAWING REVISION AC	REVISION BY BS	REV DATE/© DATE 26/07/2022
REQUEST NUMBER CR-0010402	APPROVED BY SN	DATE 26/07/2022
REQUEST NUMBER DESCRIPTION DRAWING UPDATED		
<small>COPYRIGHT (PER REVISION DATE) REGAL BELOIT AMERICA, INC. ALL RIGHTS RESERVED. PROPRIETARY AND CONFIDENTIAL INFORMATION - THIS DOCUMENT IS THE PROPERTY OF REGAL BELOIT AMERICA, INC. ("OWNER") AND CONTAINS OWNER'S PROPRIETARY INFORMATION. ANY PERSON, CORPORATION OR OTHER FIRM RECEIVING IT IS DEEMED, BY RECEIVING IT, TO AGREE THAT IT, AND/OR ANY PART OF IT, SHALL NOT BE DISCLOSED TO ANY PERSON, CORPORATION OR OTHER ENTITY, DUPLICATED, AND/OR USED, EXCEPT AS EXPRESSLY APPROVED IN WRITING IN ADVANCE BY OWNER. THIS DOCUMENT SHALL BE RETURNED TO OWNER UPON REQUEST. IT MAY BE SUBJECT TO CERTAIN RESTRICTIONS UNDER APPLICABLE EXPORT CONTROL LAWS AND REGULATIONS.</small>		

PRIMARY DIMENSIONS ARE INCH
mm DIMENSIONS IN [BRACKETS]
ARE FOR REFERENCE ONLY

DRAWN BY DA
DATE 03-26-1993
APPROVED BY TB
DATE 03-26-1993
REFERENCE
THIRD ANGLE PROJECTION

		Regal Beloit America, Inc.	
DESCRIPTION CONNECTION DIAGRAM EXTERNAL - SINGLE VOLTAGE - 3Ø MOTOR			
MATERIAL		PROCESS/FINISH	
SIZE A	DRAWING NUMBER EE7300		SHEET 1 OF 1