

PRODUCT INFORMATION PACKET

Model No: 141437.00

Catalog No: 141437.00

Crop Dryer Motor, 7.50 HP, 1 Ph, 60 Hz, 230 V, 1800 RPM, 215TZ Frame, TEFC

Regal and are trademarks of Regal Rexnord Corporation or one of its affiliated companies.
©2022 Regal Rexnord Corporation, All Rights Reserved. MC017097E



Nameplate Specifications

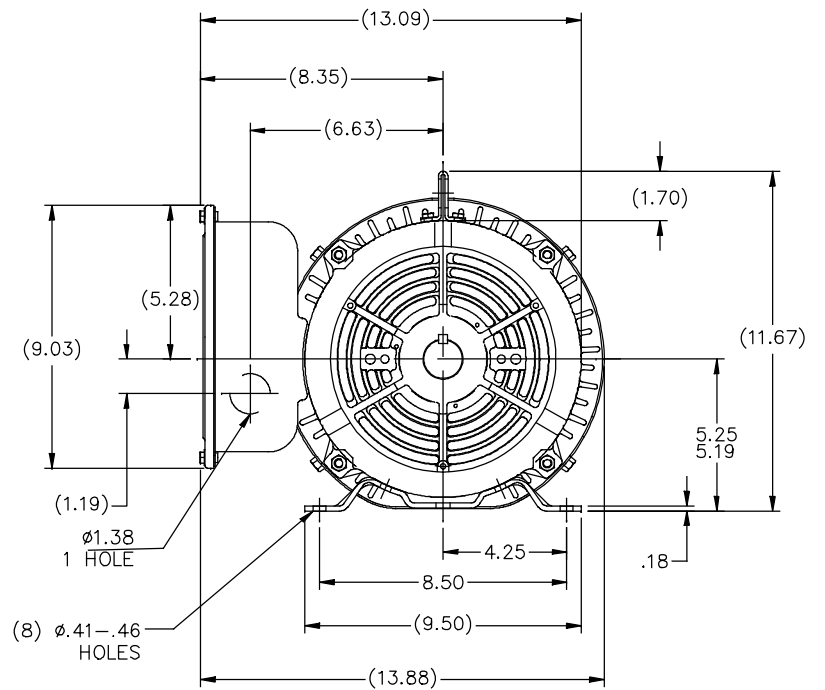
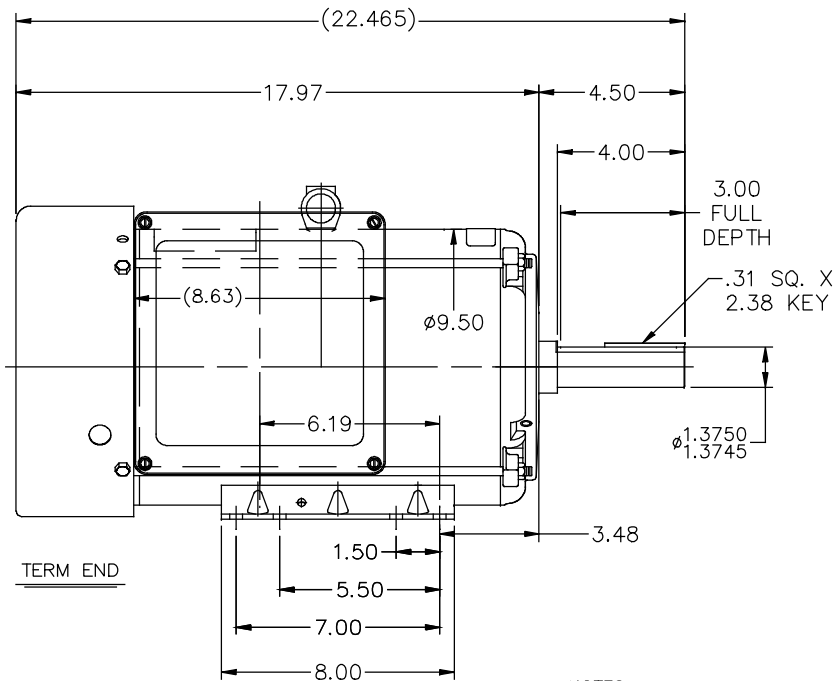
Output HP	7.50 Hp	Output KW	5.6 kW
Frequency	60 Hz	Voltage	230 V
Current	30.5 A	Speed	1750 rpm
Service Factor	1.15	Phase	1
Efficiency	85.5 %	Power Factor	95
Duty	Continuous	Insulation Class	F
Design Code	NO DESIGN CODE	KVA Code	K
Frame	215TZ	Enclosure	Totally Enclosed Fan Cooled
Thermal Protection	No Protection	Ambient Temperature	40 °C
Drive End Bearing Size	6307	Opp Drive End Bearing Size	6206
UL	Recognized	CSA	Y
CE	Y	IP Code	43
Number of Speeds	1		

Technical Specifications

Electrical Type	Capacitor Start Capacitor Run	Starting Method	Across The Line
Poles	4	Rotation	Selective Counterclockwise
Resistance Main	.215 Ohms	Mounting	Rigid Base
Motor Orientation	Horizontal	Drive End Bearing	Ball
Opp Drive End Bearing	Ball	Frame Material	Rolled Steel
Shaft Type	Single Special Extension	Overall Length	22.47 in
Frame Length	12.40 in	Shaft Diameter	1.375 in
Shaft Extension	4.5 in	Assembly/Box Mounting	F1 ONLY
Outline Drawing	OL141437-1240	Connection Drawing	EE9048LX-LE

This is an uncontrolled document once printed or downloaded and is subject to change without notice. Date Created:09/08/2022

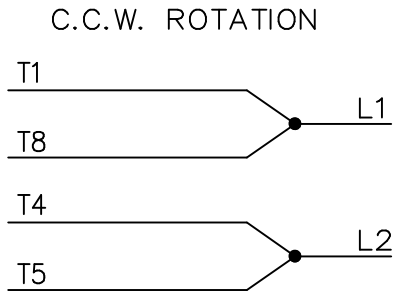
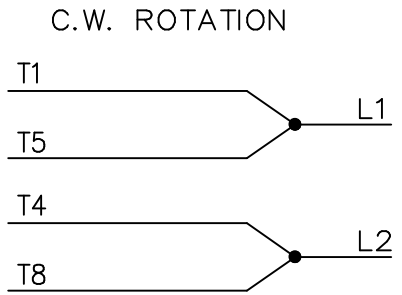
OL141437



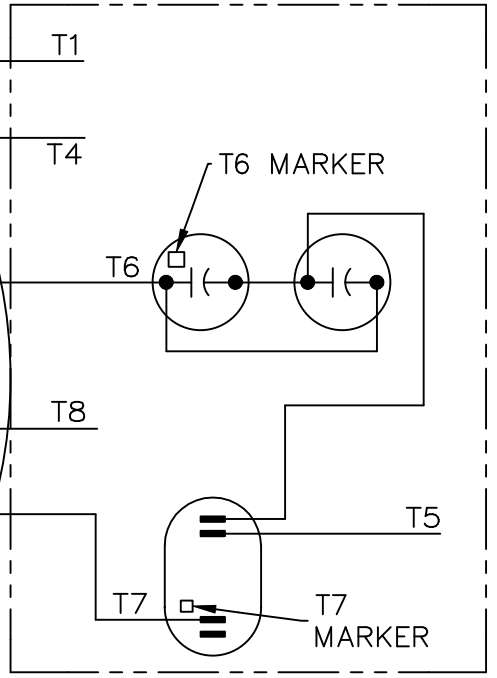
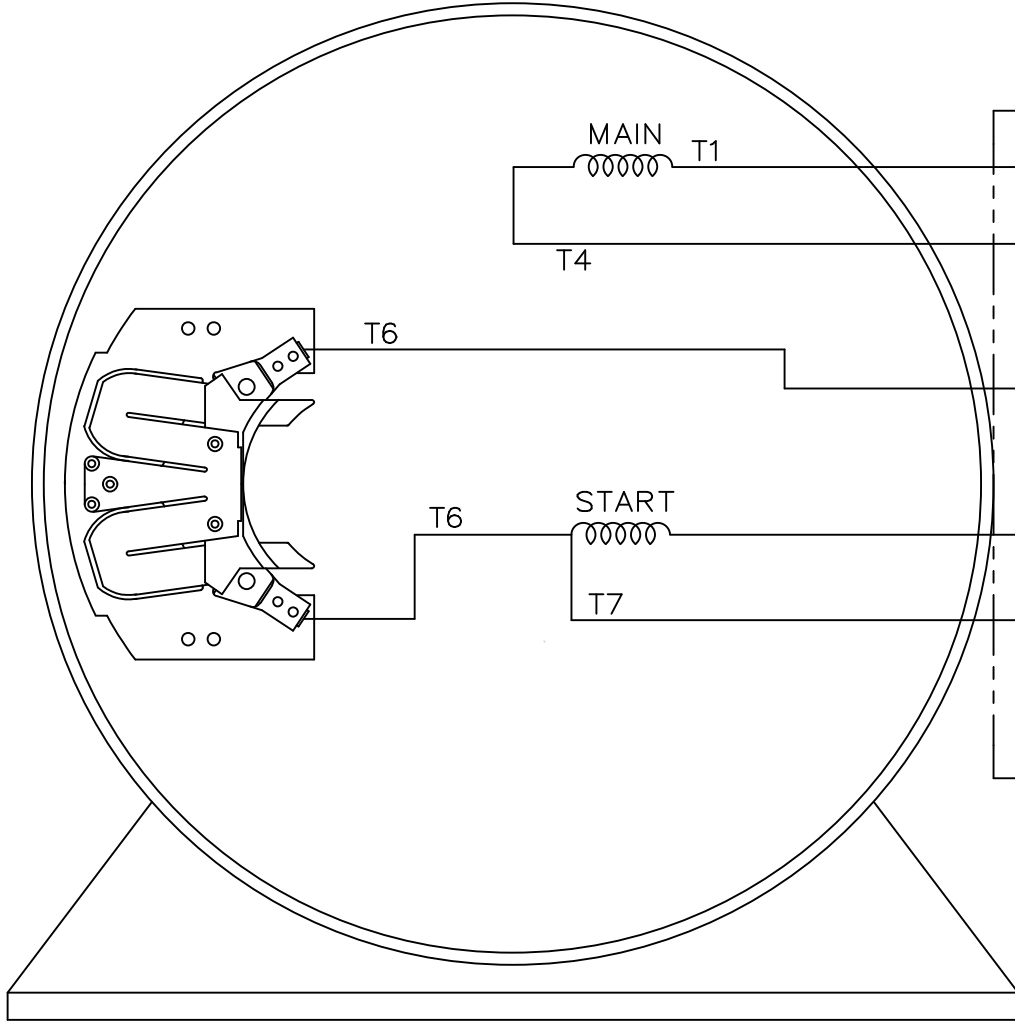
NOTES:
1. NAMEPLATE TO BE READABLE FROM C'BOX SIDE.

		TOLERANCES UNLESS SPECIFIED		REGAL™ Regal Beloit America, Inc.		DRAWN NK 08/21/18	
		DEC.	INCHES			CHK SR 8/21/2018	
		.X	±.1	TITLE		APPD SR 08/21/18	
		.XX	±.03	OUTLINE		SCALE 1=4	
		.XXX	±.005	215 FRAME - TEFC- 1 PHASE		REF OL141348 & SS99918	
01	NEW DRAWING	NK	8/21/2018	SR	.XXXX ±.0005	MAT'L FMF	
	REVISION		BY & DATE	CHK	ANG ±1/2"	FINISH PREV	
THIS DRAWING IN DESIGN AND DETAIL IS OUR PROPERTY AND MUST NOT BE USED EXCEPT IN CONNECTION WITH OUR WORK. ALL RIGHTS OF DESIGN AND INVENTION ARE RESERVED. THIS IS AN ELECTRONICALLY GENERATED DOCUMENT - DO NOT SCALE THIS PRINT				RFP	CAD FILE	OL141437	SIZE B
				DIST	DRAWING NO.		REV. A
						OL141437	

SINGLE VOLTAGE – CAPACITOR START – CAPACITOR RUN
REVERSIBLE



CONNECT:
START CAPACITORS
IN PARALLEL.



VIEW OF TERMINAL END

			TOLERANCES UNLESS SPECIFIED		ELECTRIC MOTORS GEARMOTORS AND DRIVES	DRAWN KVN 10/23/2009
			DEC.	INCHES		CHK
			.X	± -		APPD
			.XX	± -		SCALE
			.XXX	± -		REF EE9048LX
			.XXXX	± -	MAT'L.	FMF
NO.	REVISION	BY & DATE	CHK	ANG	FINISH	PREV
THIS DRAWING IN DESIGN AND DETAIL IS OUR PROPERTY AND MUST NOT BE USED EXCEPT IN CONNECTION WITH OUR WORK ALL RIGHTS OF DESIGN AND INVENTION ARE RESERVED THIS IS AN ELECTRONICALLY GENERATED DOCUMENT - DO NOT SCALE THIS PRINT			RFP	CAD FILE EE9048LX-LE		SIZE A
			DIST			DRAWING NO. EE9048LX-LE
						REV.