

# PRODUCT INFORMATION PACKET



Model No: 141434.00  
Catalog No: 141434.00  
Agricultural Motor, 7.50 HP, 1 Ph, 60 Hz, 230 V, 1800 RPM, 215T Frame, TEFC



Regal and Leeson are trademarks of Regal Rexnord Corporation or one of its affiliated companies.  
©2023 Regal Rexnord Corporation, All Rights Reserved. MC017097E





### Nameplate Specifications

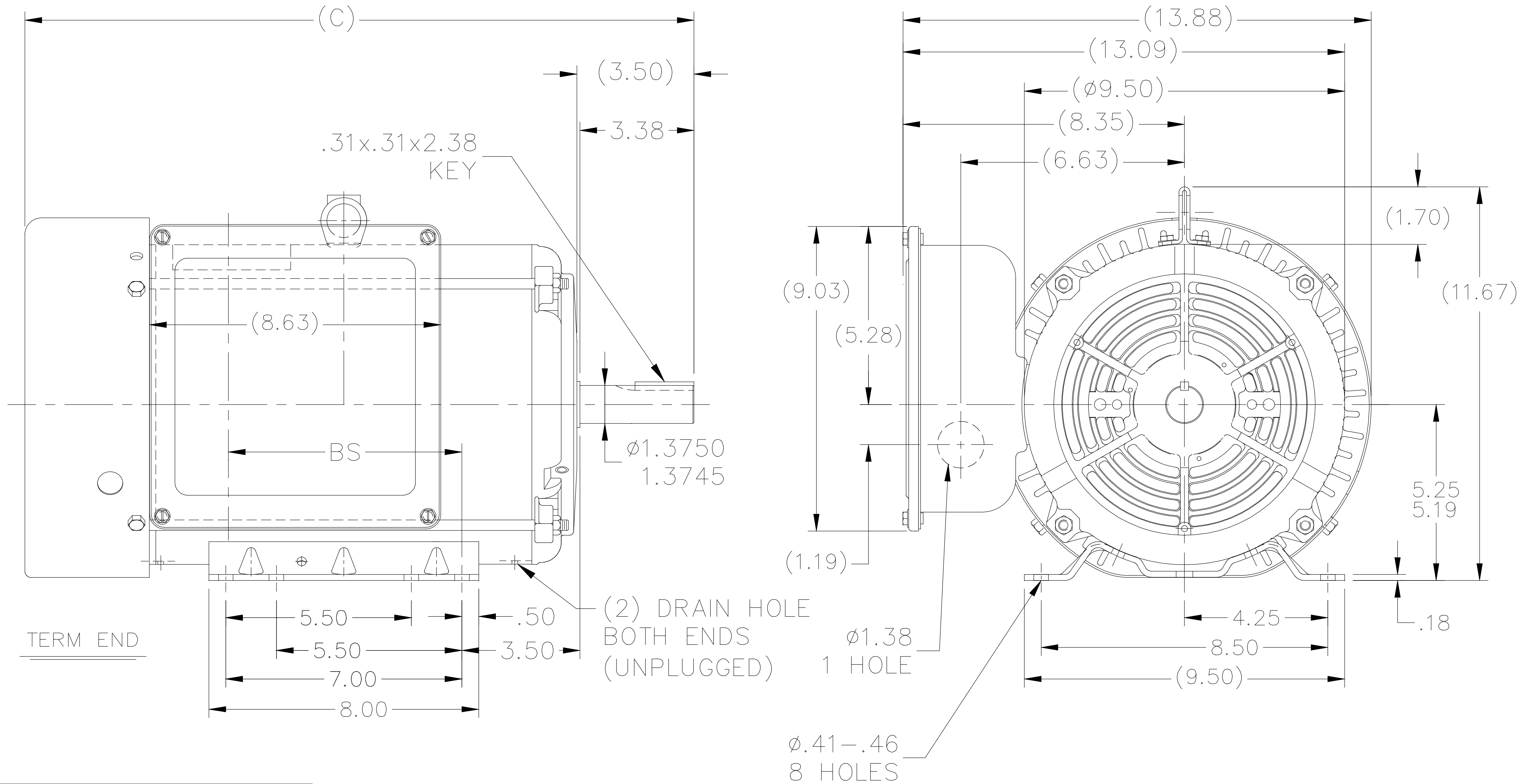
Output HP	<b>7.50 Hp</b>	Output KW	<b>5.6 kW</b>
Frequency	<b>60 Hz</b>	Voltage	<b>230 V</b>
Current	<b>30.5 A</b>	Speed	<b>1750 rpm</b>
Service Factor	<b>1.15</b>	Phase	<b>1</b>
Efficiency	<b>85.5 %</b>	Power Factor	<b>95</b>
Duty	<b>Continuous</b>	Insulation Class	<b>F</b>
Design Code	<b>NO DESIGN CODE</b>	KVA Code	<b>K</b>
Frame	<b>215T</b>	Enclosure	<b>Totally Enclosed Fan Cooled</b>
Thermal Protection	<b>Manual</b>	Ambient Temperature	<b>40 °C</b>
Drive End Bearing Size	<b>6307</b>	Opp Drive End Bearing Size	<b>6206</b>
UL	<b>Recognized ( Not Protector)</b>	CSA	<b>Y</b>
CE	<b>N</b>	IP Code	<b>43</b>
Number of Speeds	<b>1</b>		

### Technical Specifications

Electrical Type	<b>Capacitor Start Capacitor Run</b>	Starting Method	<b>Across The Line</b>
Poles	<b>4</b>	Rotation	<b>Selective Counterclockwise</b>
Resistance Main	<b>.215 Ohms</b>	Mounting	<b>Rigid Base</b>
Motor Orientation	<b>Horizontal</b>	Drive End Bearing	<b>Ball</b>
Opp Drive End Bearing	<b>Ball</b>	Frame Material	<b>Rolled Steel</b>
Shaft Type	<b>T</b>	Shaft Diameter	<b>1.375 in</b>
Assembly/Box Mounting	<b>F1 ONLY</b>		
Outline Drawing	<b>038223-1240</b>	Connection Drawing	<b>EE9048RC-LE</b>

This is an uncontrolled document once printed or downloaded and is subject to change without notice. Date Created:01/13/2023


038223



DASH	FRAME	C	BS
1240	215T	21.09	8.17

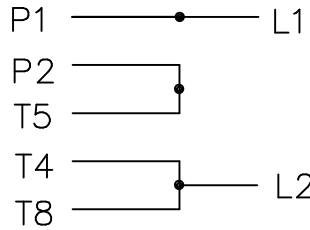
NOTES:

1. NAMEPLATE TO BE READ FROM C'BOX SIDE OF MOTOR.
2. DASH 965 TO BE READ FROM OPPOSITE SHAFT END.

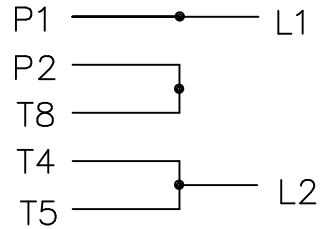
NEW DRAWING		NK 04-20-2018	TOLERANCES UNLESS SPECIFIED		 <b>Regal Beloit America, Inc.</b>	DRAWN NK 04-20-2018
			DEC.	INCHES		CHK SR 04-20-2018
			.X	±.1		APPD SR 04-20-2018
			.XX	±.03		SCALE 7=32
			SR	.XXX ±.005	TITLE OUTLINE - STEEL C' BOX	REF
			SR	.XXXX ±.0005	210 FR. - BB - TS - TEFC 1ø	FMF
NO.	REVISION	BY & DATE	CHK	ANG ±7'30"	MAT'L.	PREV
THIS DRAWING IN DESIGN AND DETAIL IS OUR PROPERTY AND MUST NOT BE USED EXCEPT IN CONNECTION WITH OUR WORK ALL RIGHTS OF DESIGN AND INVENTION ARE RESERVED THIS IS AN ELECTRONICALLY GENERATED DOCUMENT - DO NOT SCALE THIS PRINT			RFP	CAD FILE 038223	SIZE A	DRAWING NO. 038223
			DIST LB			PAGE OF REV. A

CONNECT:  
START CAPACITORS IN PARALLEL

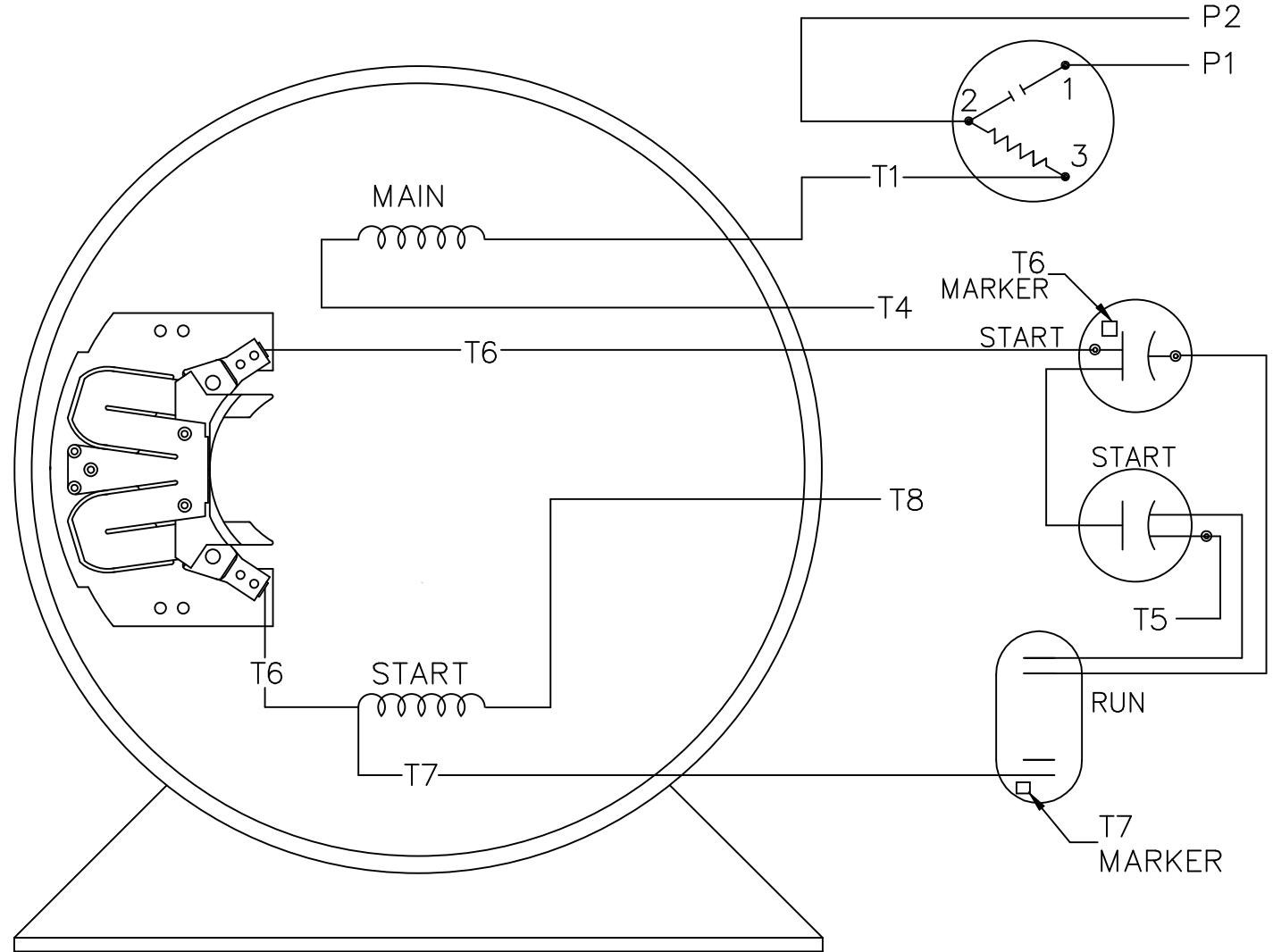
C.W. ROTATION




C.C.W. ROTATION



SINGLE VOLTAGE  
CAPACITOR START  
CAPACITOR RUN  
REVERSIBLE



VIEW OF TERMINAL END

				TOLERANCES UNLESS SPECIFIED		 ELECTRIC MOTORS GEARMOTORS AND DRIVES	DRAWN KVN 11/04/2009	
				DEC.	INCHES		CHK	
				.X	±.1		APPD	
				.XX	±.02		SCALE 1=1	
				.XXX	±.005		REF EE9048RC	
				.XXXX	±.0005	MAT'L. 180-210 SWITCH		
				ANG	±7'30"	FINISH		
				RFP		CAD FILE EE9048RC-LE		
				DIST		SIZE A		
						DRAWING NO. EE9048RC-LE		
						PAGE OF		
						REV.		
						PREV		

THIS DRAWING IN DESIGN AND DETAIL IS OUR PROPERTY AND MUST NOT BE USED EXCEPT IN CONNECTION WITH OUR WORK ALL RIGHTS OF DESIGN AND INVENTION ARE RESERVED THIS IS AN ELECTRONICALLY GENERATED DOCUMENT - DO NOT SCALE THIS PRINT