

# PRODUCT INFORMATION PACKET



Model No: 141433.00  
Catalog No: 141433.00  
Crop Dryer Motor, 5 HP, 1 Ph, 60 Hz, 230 V, 1800 RPM, 215T Frame, TEFC

Regal and Leeson are trademarks of Regal Rexnord Corporation or one of its affiliated companies.  
©2022 Regal Rexnord Corporation, All Rights Reserved. MC017097E





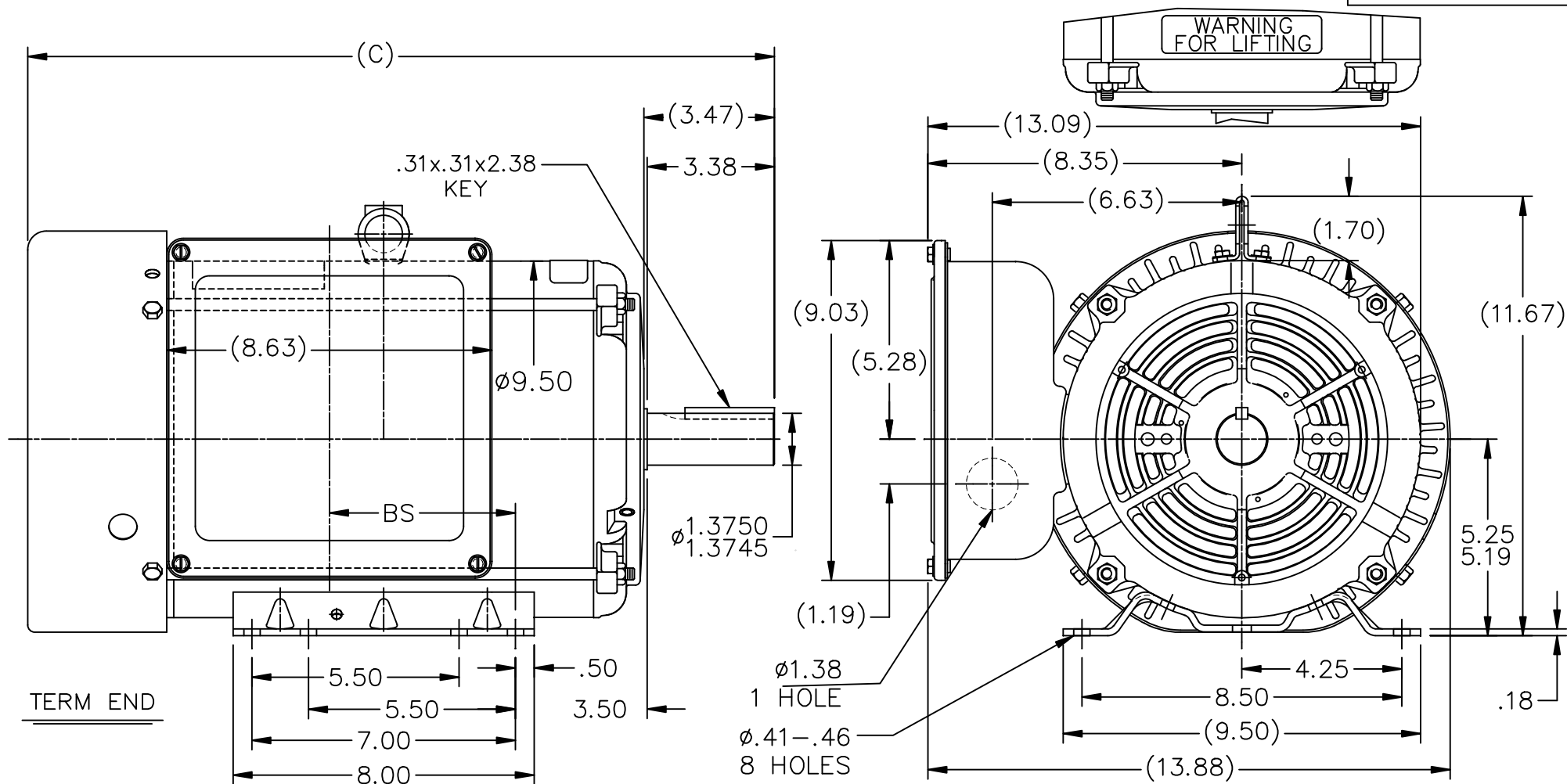
### Nameplate Specifications

Output HP	5 Hp	Output KW	3.7 kW
Frequency	60 Hz	Voltage	230 V
Current	22.6 A	Speed	1740 rpm
Service Factor	1.15	Phase	1
Efficiency	82.5 %	Power Factor	83.5
Duty	Continuous	Insulation Class	F
Design Code	NO DESIGN CODE	KVA Code	K
Frame	215T	Enclosure	Totally Enclosed Fan Cooled
Thermal Protection	Manual	Ambient Temperature	40 °C
Drive End Bearing Size	6307	Opp Drive End Bearing Size	6206
UL	Recognized ( Not Protector)	CSA	Y
CE	Y	IP Code	43
Number of Speeds	1		

### Technical Specifications

Electrical Type	Capacitor Start Capacitor Run	Starting Method	Across The Line
Poles	4	Rotation	Selective Counterclockwise
Resistance Main	.308 Ohms	Mounting	Rigid Base
Motor Orientation	Horizontal	Drive End Bearing	Ball
Opp Drive End Bearing	Ball	Frame Material	Rolled Steel
Shaft Type	T	Overall Length	18.34 in
Frame Length	9.65 in	Shaft Diameter	1.375 in
Shaft Extension	3.47 in	Assembly/Box Mounting	F1 ONLY
Connection Drawing	EE9048LW	Outline Drawing	SS88687LE-965

This is an uncontrolled document once printed or downloaded and is subject to change without notice. Date Created:11/29/2022



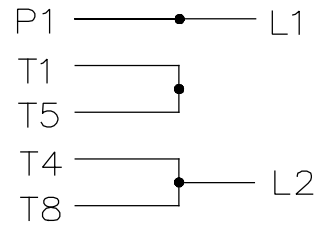
- NOTES:  
 1. NAMEPLATE TO BE READ FROM C'BOX SIDE OF MOTOR.  
 2. DASH 965 TO BE READ FROM OPPOSITE SHAFT END  
 3. GENERIC OUTLINE, FARM DUTY MODELS INCLUDE SHAFT END SLINGER

DASH	FR.	C	BS
965	213T	18.34	3.44
1115	213/15T	19.84	4.94
1240	215T	21.09	6.19

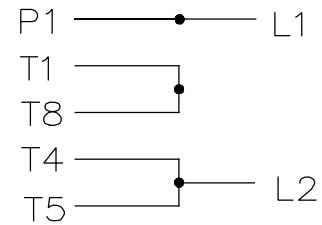
			TOLERANCES UNLESS SPECIFIED			DRAWN RJM 07-26-2002	
			DEC.	INCHES		CHK	ML 08-05-2002
			.X	±.1		APPD	JPL 08-02-2002
3	ADDED NOTE 3	KVN 11/9/2009	.XX	±.03	TITLE OUTLINE	SCALE	1=4
2	ADDED NOTE 2 CN 31881	DRS 10-21-2002	ML	.XXX ±.005	210 FR. - TEFC - 1 PHASE	REF	
1	NEW DRAWING - DES/DEV	RJM 08-02-2002		.XXXX ±.0005	MAT'L.	FMF	
NO.	REVISION	BY & DATE	CHK	ANG	FINISH	PREV	
			RFP		CAD FILE ss88687le		SIZE
			DIST	LB			DRAWING NO.
							SS88687LE
							PAGE
							OF
							REV.
							3

THIS DRAWING IN DESIGN AND DETAIL IS OUR PROPERTY AND MUST NOT BE USED EXCEPT IN CONNECTION WITH OUR WORK ALL RIGHTS OF DESIGN AND INVENTION ARE RESERVED THIS IS AN ELECTRONICALLY GENERATED DOCUMENT - DO NOT SCALE THIS PRINT

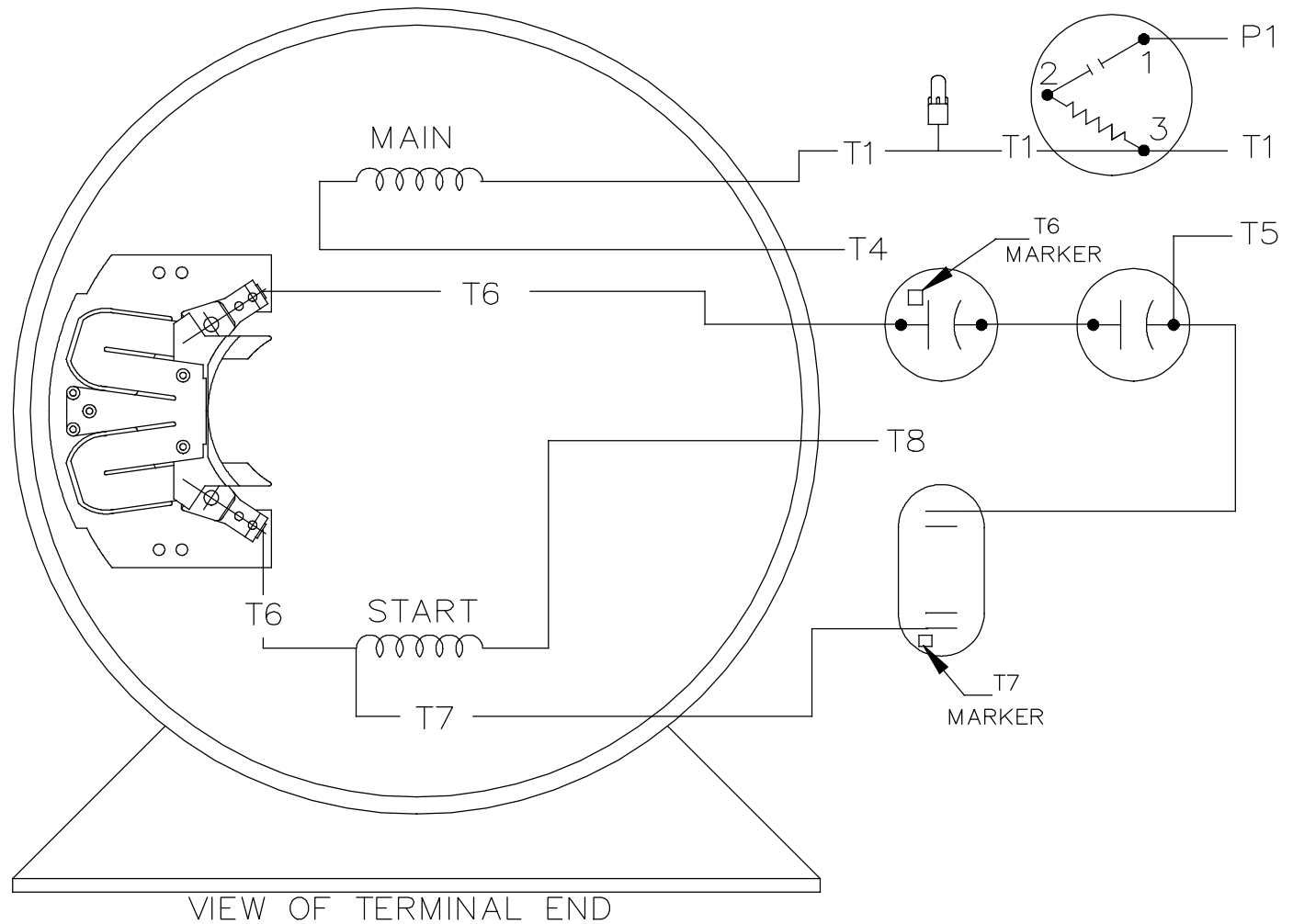
C.W. ROTATION



C.C.W. ROTATION



SINGLE VOLTAGE  
CAPACITOR START  
CAPACITOR RUN  
REVERSIBLE



VIEW OF TERMINAL END

				TOLERANCES UNLESS SPECIFIED		REGAL™ Regal Beloit America, Inc.	DRAWN GK 11-05-1986		
				DEC.	INCHES		CHK ML 11-05-1986		
				.X	±.1	TITLE CONNECTION DIAGRAM	APPD FG 11-06-1986	SCALE 1=1	
2	LOGO CHANGED TO REGAL.	NK 11-29-2018	MSD .XXX	±.005			REF		
1	NEW DRAWING CN7664C	GK 11-06-1986	.XXXX	±.0005	MAT'L.		FMF		
NO.	REVISION	BY & DATE	CHK	ANG	±7'30"	FINISH	PREV		
THIS DRAWING IN DESIGN AND DETAIL IS OUR PROPERTY AND MUST NOT BE USED EXCEPT IN CONNECTION WITH OUR WORK ALL RIGHTS OF DESIGN AND INVENTION ARE RESERVED THIS IS AN ELECTRONICALLY GENERATED DOCUMENT - DO NOT SCALE THIS PRINT			RFP	CAD FILE EE9048LW		SIZE A	DRAWING NO. EE9048LW	PAGE OF 2	REV. 2
			DIST	WA					

## EC Declaration of Conformity

The undersigned representing  
the manufacturer:

Regal Beloit America  
100 East Randolph St.  
Wausau, WI 54401

and the authorized representative  
established within the Community:

Marathon Electric UK  
6F Thistleton Road Ind. Estate  
Market Overton  
Oakham, Rutland LE15 7PP UK

are committed to providing customers with products that comply with applicable regulations and international protocols to which they are subject, including the requirements of the European Parliament Directive on the Harmonization of the laws relating to electrical equipment designed for use within certain voltage limits (2014/35/EU).

Regal Beloit America declares that the following product(s), to which this declaration relates, are in conformity with the relevant sections of the EC standards listed below.

This statement supersedes any statements previously issued pertaining to the product(s) listed below and is subject to change without notice.

Model No : 141433.00

(Model No. may contain prefix and/or suffix characters)

Catalog No : 141433.00

Rework No : N/A

Directives :

Low Voltage Directive 2014/35/EU

Harmonized Standards Used :

EN 60034-1: 2010 (IEC 60034-1: 2010)

EN 60034-5: 2001/A1:2007 (IEC 60034-5: 2000/A1:2006)

Authorized Representative:



Michael A. Logsdon  
Vice President, Technology

Authorized Representative in the Community:



Julian Clark  
Marketing Engineer

Created on 09/01/2022

**CE 22**