

# PRODUCT INFORMATION PACKET



Model No: 141432.00  
Catalog No: 141432.00  
Crop Dryer Motor, 5 HP, 1 Ph, 60 Hz, 230 V, 1800 RPM, 215TZ Frame, TEFC

Regal and Leeson are trademarks of Regal Rexnord Corporation or one of its affiliated companies.  
©2022 Regal Rexnord Corporation, All Rights Reserved. MC017097E





**Nameplate Specifications**

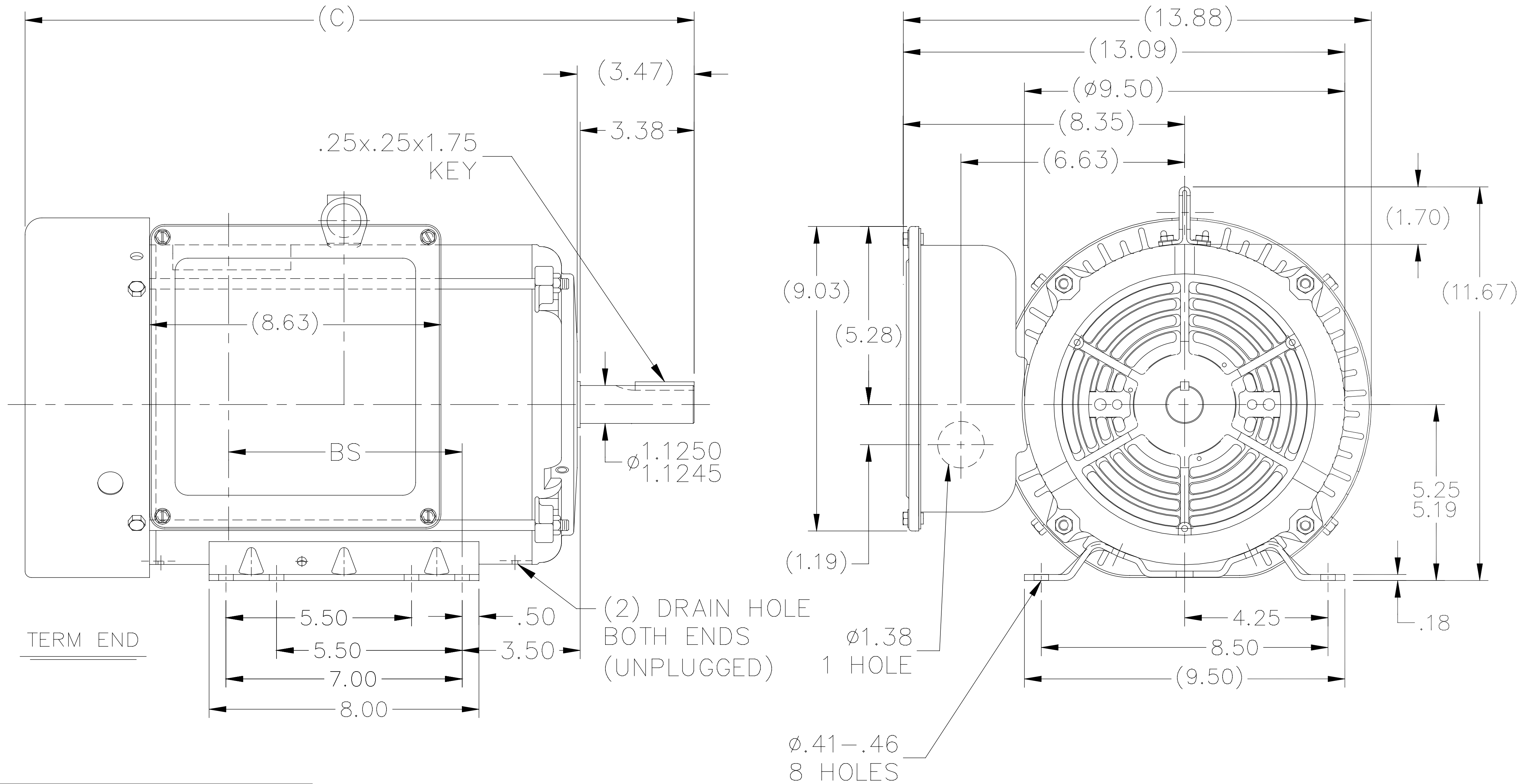
Output HP	5 Hp	Output KW	3.7 kW
Frequency	60 Hz	Voltage	230 V
Current	22.6 A	Speed	1740 rpm
Service Factor	1.15	Phase	1
Efficiency	82.5 %	Power Factor	83.5
Duty	Continuous	Insulation Class	F
Design Code	NO DESIGN CODE	KVA Code	K
Frame	215TZ	Enclosure	Totally Enclosed Fan Cooled
Thermal Protection	Manual	Ambient Temperature	40 °C
Drive End Bearing Size	6307	Opp Drive End Bearing Size	6206
UL	Recognized ( Not Protector)	CSA	Y
CE	Y	IP Code	43
Number of Speeds	1		

**Technical Specifications**

Electrical Type	Capacitor Start Capacitor Run	Starting Method	Across The Line
Poles	4	Rotation	Selective Counterclockwise
Resistance Main	.308 Ohms	Mounting	Rigid Base
Motor Orientation	Horizontal	Drive End Bearing	Ball
Opp Drive End Bearing	Ball	Frame Material	Rolled Steel
Shaft Type	Single Special Extension	Overall Length	18.34 in
Frame Length	9.65 in	Shaft Diameter	1.125 in
Shaft Extension	3.47 in	Assembly/Box Mounting	F1 ONLY
Outline Drawing	SS86671-965	Connection Drawing	A-EE9048LW

This is an uncontrolled document once printed or downloaded and is subject to change without notice. Date Created:11/29/2022


SS86671



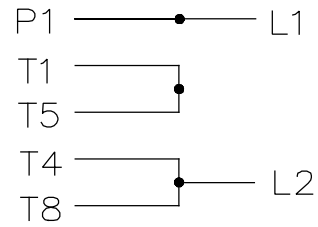
DASH	FRAME	C	BS
965	213T	18.34	5.42
1115	213/15T	19.84	6.92
1240	215T	21.09	8.17

NOTES:

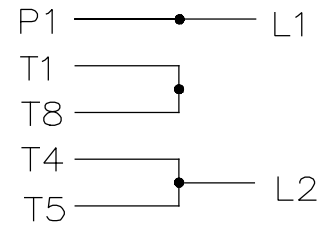
1. NAMEPLATE TO BE READ FROM C'BOX SIDE OF MOTOR.
2. DASH 965 TO BE READ FROM OPPOSITE SHAFT END.

				TOLERANCES UNLESS SPECIFIED		 <b>Regal Beloit America, Inc.</b>	DRAWN MH 04-17-1997		
				DEC.	INCHES		CHK ML 04-18-1997	APPD DN 04-18-1997	SCALE 7=32
				.X	±.1	TITLE OUTLINE - STEEL C' BOX 210 FR. - BB - TS - TEFC 1ø			
				.XX	±.03				
8	DRAIN HOLES ADDED		KIR 02/08/16	SS .XXX	±.005				
7	REVISED 'B' DIMENSION	08-0118	RJW 01-22-2008	ML .XXXX	±.0005		MAT'L.		
NO.	REVISION		BY & DATE	CHK ANG	±7'30"	FINISH			
THIS DRAWING IN DESIGN AND DETAIL IS OUR PROPERTY AND MUST NOT BE USED EXCEPT IN CONNECTION WITH OUR WORK ALL RIGHTS OF DESIGN AND INVENTION ARE RESERVED THIS IS AN ELECTRONICALLY GENERATED DOCUMENT - DO NOT SCALE THIS PRINT				RFP		CAD FILE ss86671	SIZE A	DRAWING NO. SS86671	PAGE OF 8
				DIST LB					REV. 8

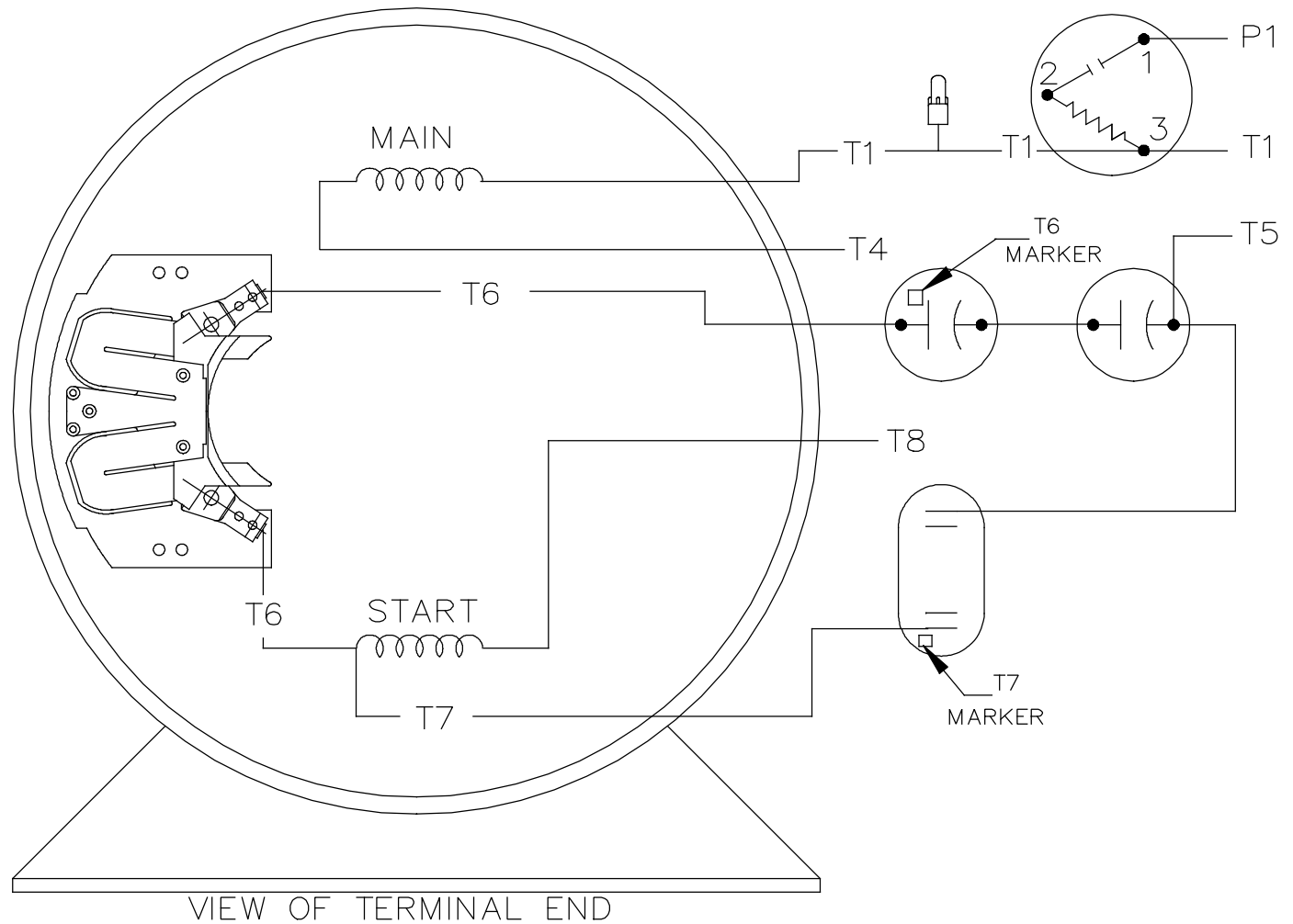
C.W. ROTATION



C.C.W. ROTATION



SINGLE VOLTAGE  
CAPACITOR START  
CAPACITOR RUN  
REVERSIBLE



				TOLERANCES UNLESS SPECIFIED		REGAL™ Regal Beloit America, Inc.	DRAWN GK 11-05-1986		
				DEC.	INCHES		CHK ML 11-05-1986		
				.X	±.1	TITLE CONNECTION DIAGRAM	APPD FG 11-06-1986	SCALE 1=1	
2	LOGO CHANGED TO REGAL.	NK 11-29-2018	MSD .XXX	±.005			REF		
1	NEW DRAWING CN7664C	GK 11-06-1986	.XXXX	±.0005	MAT'L.		FMF		
NO.	REVISION	BY & DATE	CHK	ANG	±7'30"	FINISH	PREV		
THIS DRAWING IN DESIGN AND DETAIL IS OUR PROPERTY AND MUST NOT BE USED EXCEPT IN CONNECTION WITH OUR WORK ALL RIGHTS OF DESIGN AND INVENTION ARE RESERVED THIS IS AN ELECTRONICALLY GENERATED DOCUMENT - DO NOT SCALE THIS PRINT			RFP	CAD FILE EE9048LW		SIZE A	DRAWING NO. EE9048LW	PAGE OF	REV. 2
			DIST	WA					

## EC Declaration of Conformity

The undersigned representing  
the manufacturer:

Regal Beloit America  
100 East Randolph St.  
Wausau, WI 54401

and the authorized representative  
established within the Community:

Marathon Electric UK  
6F Thistleton Road Ind. Estate  
Market Overton  
Oakham, Rutland LE15 7PP UK

are committed to providing customers with products that comply with applicable regulations and international protocols to which they are subject, including the requirements of the European Parliament Directive on the Harmonization of the laws relating to electrical equipment designed for use within certain voltage limits (2014/35/EU).

Regal Beloit America declares that the following product(s), to which this declaration relates, are in conformity with the relevant sections of the EC standards listed below.

This statement supersedes any statements previously issued pertaining to the product(s) listed below and is subject to change without notice.

Model No : 141432.00

(Model No. may contain prefix and/or suffix characters)

Catalog No : 141432.00

Rework No : N/A

Directives :

Low Voltage Directive 2014/35/EU

Harmonized Standards Used :

EN 60034-1: 2010 (IEC 60034-1: 2010)

EN 60034-5: 2001/A1:2007 (IEC 60034-5: 2000/A1:2006)

Authorized Representative:



Michael A. Logsdon  
Vice President, Technology

Authorized Representative in the Community:



Julian Clark  
Marketing Engineer

Created on 09/01/2022

**CE 22**