

# PRODUCT INFORMATION PACKET



Model No: 141430.00  
Catalog No: 141430.00  
Crop Dryer Motor, 10 HP, 1 Ph, 60 Hz, 230 V, 1800 RPM, 215TZ Frame, DP



Regal and Leeson are trademarks of Regal Rexnord Corporation or one of its affiliated companies.  
©2022 Regal Rexnord Corporation, All Rights Reserved. MC017097E





### Nameplate Specifications

Output HP	<b>10 Hp</b>	Output KW	<b>7.5 kW</b>
Frequency	<b>60 Hz</b>	Voltage	<b>230 V</b>
Current	<b>39.0 A</b>	Speed	<b>1745 rpm</b>
Service Factor	<b>1.25</b>	Phase	<b>1</b>
Efficiency	<b>86.5 %</b>	Power Factor	<b>96.4</b>
Duty	<b>Continuous</b>	Insulation Class	<b>F</b>
Design Code	<b>L</b>	KVA Code	<b>G</b>
Frame	<b>215TZ</b>	Enclosure	<b>Drip Proof</b>
Thermal Protection	<b>No Protection</b>	Ambient Temperature	<b>40 °C</b>
Drive End Bearing Size	<b>6307</b>	Opp Drive End Bearing Size	<b>6206</b>
UL	<b>Recognized</b>	CSA	<b>Y</b>
CE	<b>N</b>	IP Code	<b>12</b>
Number of Speeds	<b>1</b>		

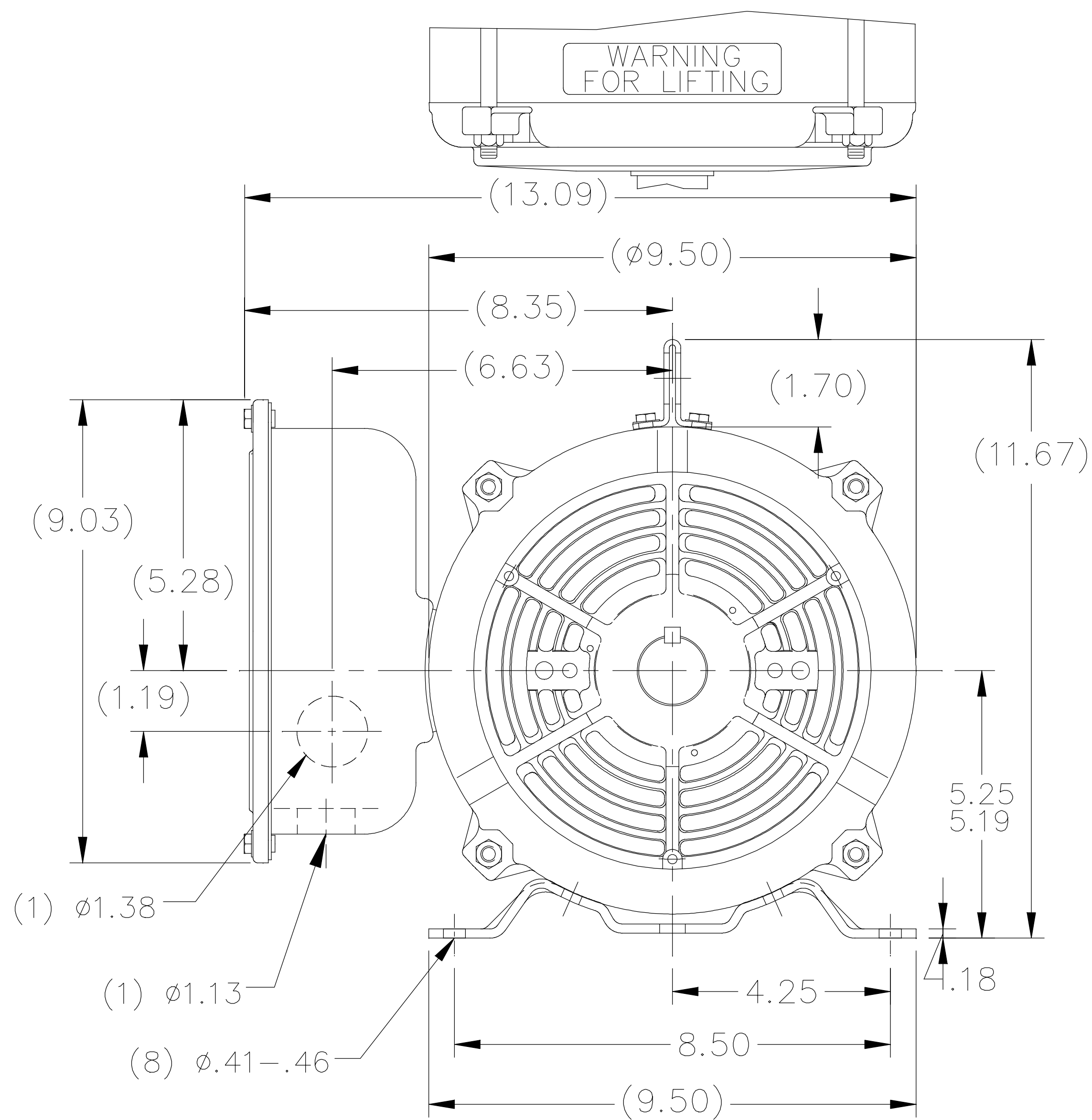
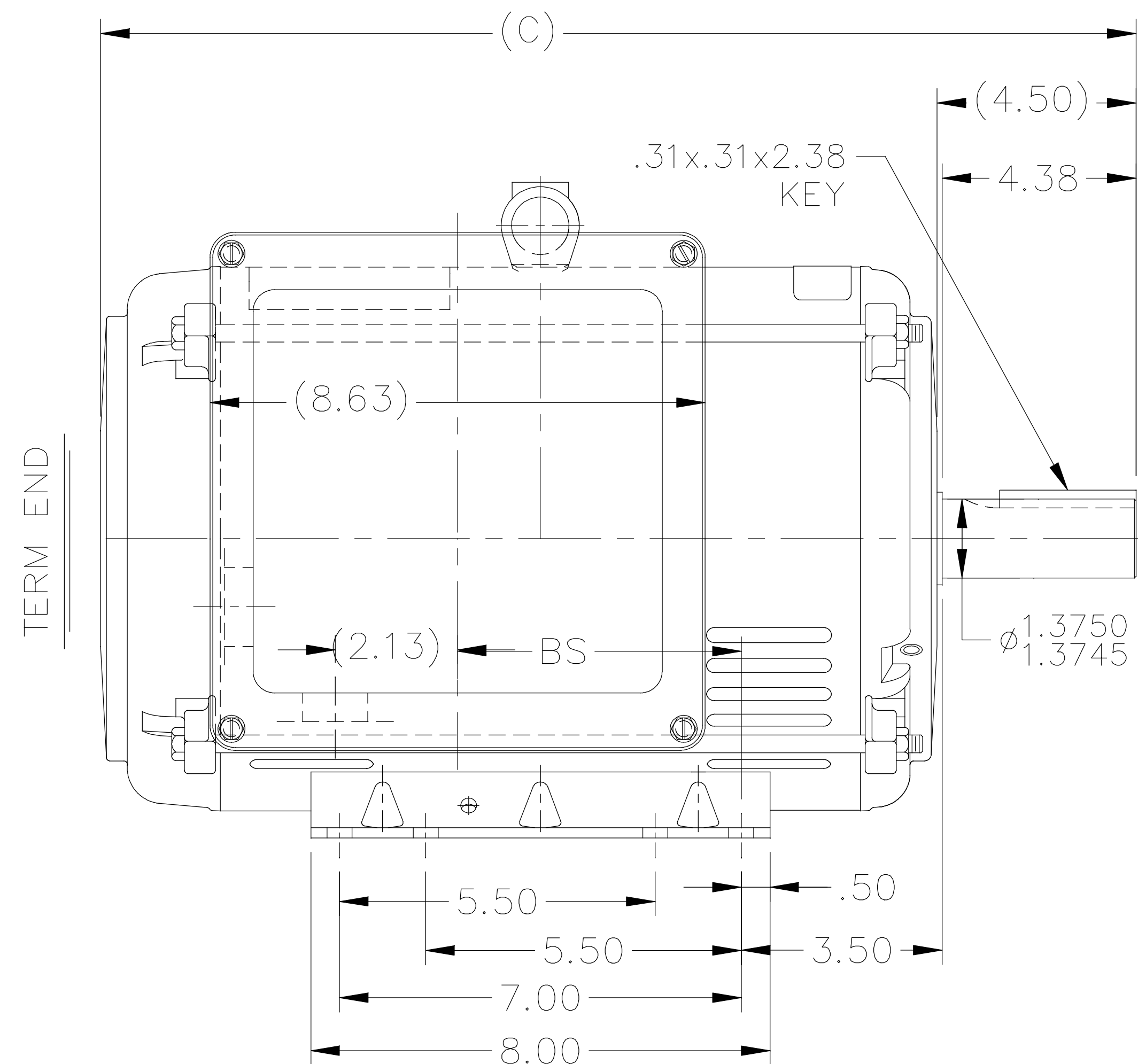
### Technical Specifications

Electrical Type	<b>Capacitor Start Capacitor Run</b>	Starting Method	<b>Across The Line</b>
Poles	<b>4</b>	Rotation	<b>Selective Counterclockwise</b>
Resistance Main	<b>0 Ohms</b>	Mounting	<b>Rigid Base</b>
Motor Orientation	<b>Horizontal</b>	Drive End Bearing	<b>Ball</b>
Opp Drive End Bearing	<b>Ball</b>	Frame Material	<b>Rolled Steel</b>
Shaft Type	<b>Single Special Extension</b>	Overall Length	<b>14.79 in</b>
Frame Length	<b>12.40 in</b>	Shaft Diameter	<b>1.375 in</b>
Shaft Extension	<b>4.5 in</b>	Assembly/Box Mounting	<b>F1 ONLY</b>
Connection Drawing	<b>EE9048LV</b>	Outline Drawing	<b>OL141430-1240</b>

This is an uncontrolled document once printed or downloaded and is subject to change without notice. Date Created:11/29/2022


OL141430

DASH	FR.	C	BS
1240	215T	14.79	1.69

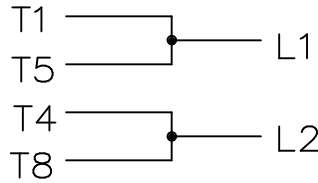


DASH			
1240	215T	21.09	8.17

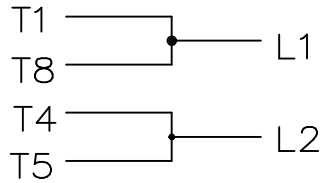
- NOTES:  
 1. NAMEPLATE TO BE READ FROM C'BOX SIDE OF MOTOR.  
 2. DASH 965 TO BE READ FROM OPPOSITE SHAFT END.

NEW DRAWING		NK 04-20-2018	TOLERANCES UNLESS SPECIFIED		 <b>Regal Beloit America, Inc.</b>	DRAWN NK 04-20-2018
			DEC.	INCHES		CHK SR 04-20-2018
			.X	±.1		APPD SR 04-20-2018
			.XX	±.03	TITLE OUTLINE - STEEL C' BOX	SCALE 7=32
			SR .XXX	±.005	210 FR. - BB - TS - TEFC 1ø	REF
			SR .XXXX	±.0005	MAT'L.	FMF
NO.	REVISION	BY & DATE	CHK ANG	±7'30"	FINISH	PREV
THIS DRAWING IN DESIGN AND DETAIL IS OUR PROPERTY AND MUST NOT BE USED EXCEPT IN CONNECTION WITH OUR WORK ALL RIGHTS OF DESIGN AND INVENTION ARE RESERVED THIS IS AN ELECTRONICALLY GENERATED DOCUMENT - DO NOT SCALE THIS PRINT			RFP	CAD FILE OL141430	SIZE A	DRAWING NO. OL141430
			DIST LB			PAGE OF REV. A

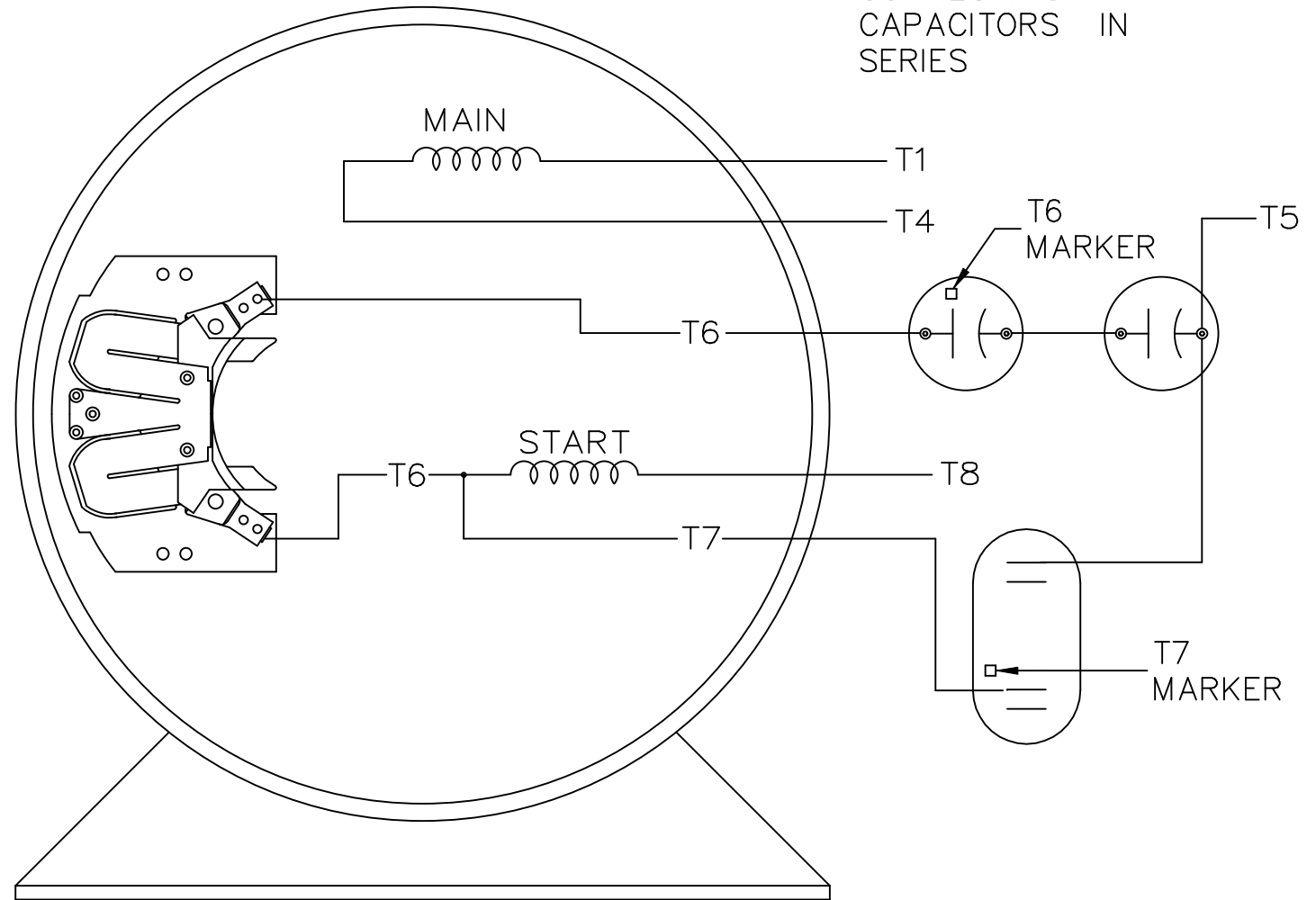
C.W. ROTATION



C.C.W. ROTATION




CONNECT: START  
CAPACITORS IN  
SERIES



SINGLE VOLTAGE  
CAPACITOR START  
CAPACITOR RUN  
REVERSIBLE

VIEW OF TERMINAL END

				TOLERANCES UNLESS SPECIFIED		 <b>REGAL-BELOIT CORPORATION</b>		DRAWN GK 11-04-1986		
				DEC.	INCHES			CHK ML 11-04-1986		
				.X	±.1			APPD FG 11-04-1986		
				.XX	±.02	TITLE CONNECTION DIAGRAM 180-210 SWITCH		SCALE 1=1		
2	REDRAWN IN AUTOCAD	RWR 09-07-2005	ML	.XXX	±.005			REF DRW.		
1	NEW DRAWING CN7664C	GK 11-04-1986		.XXXX	±.0005	MAT'L.		FMF		
NO.	REVISION	BY & DATE	CHK	ANG	±7'30"	FINISH		PREV		
THIS DRAWING IN DESIGN AND DETAIL IS OUR PROPERTY AND MUST NOT BE USED EXCEPT IN CONNECTION WITH OUR WORK ALL RIGHTS OF DESIGN AND INVENTION ARE RESERVED THIS IS AN ELECTRONICALLY GENERATED DOCUMENT - DO NOT SCALE THIS PRINT				RFP	11-04-1986	CAD FILE EE9048LV		SIZE	DRAWING NO. PAGE 1 OF 1	REV.
				DIST	LB			A	EE9048LV	2