

# PRODUCT INFORMATION PACKET



Model No: 141410.00

Catalog No: 141410.00

Extreme Duck® Ultra General Purpose Motor, 7.50 & 5 HP, 3 Ph, 60 & 50 Hz, 230/460 & 190/380 V,  
1800 & 1500 RPM, 213TC Frame, TEFC



Regal and Leeson are trademarks of Regal Rexnord Corporation or one of its affiliated companies.

©2023 Regal Rexnord Corporation, All Rights Reserved. MC017097E





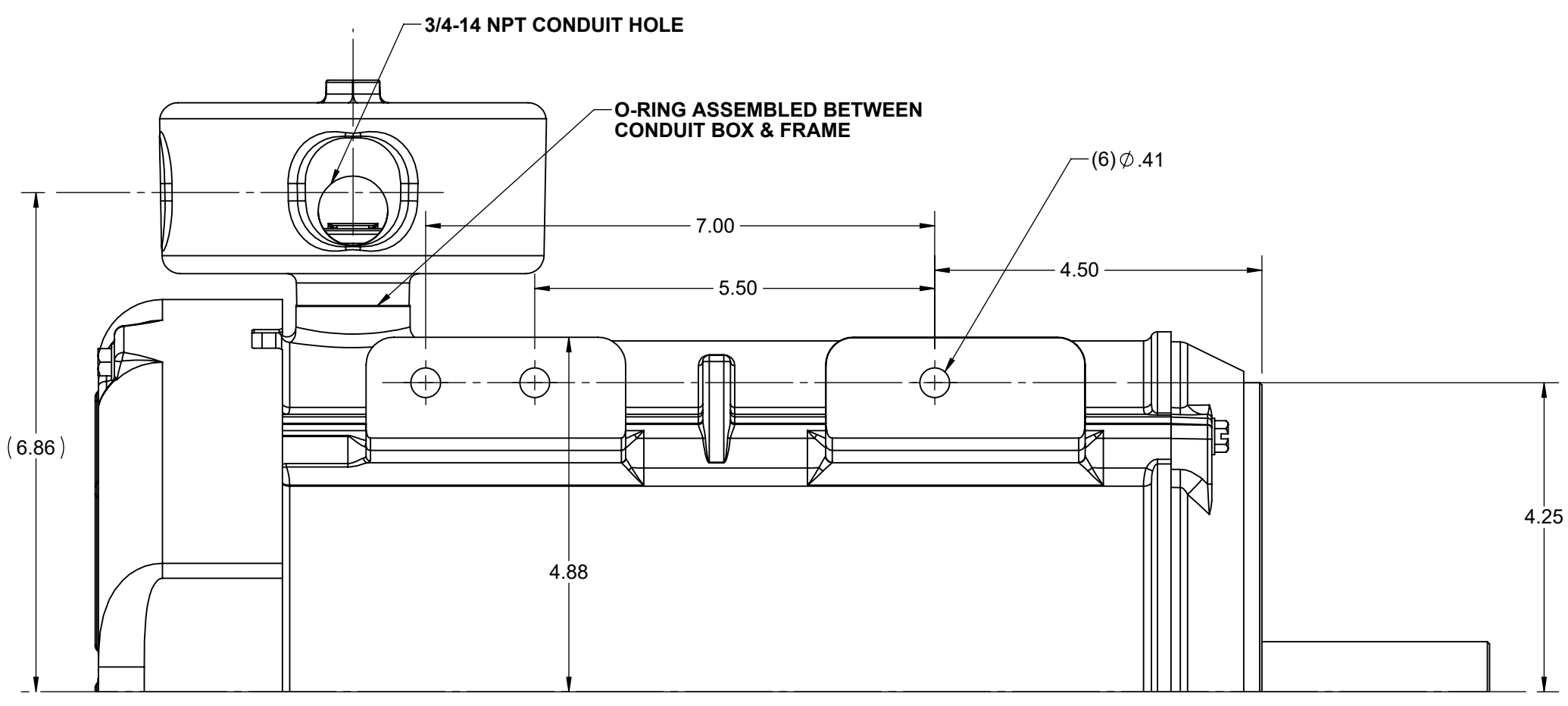
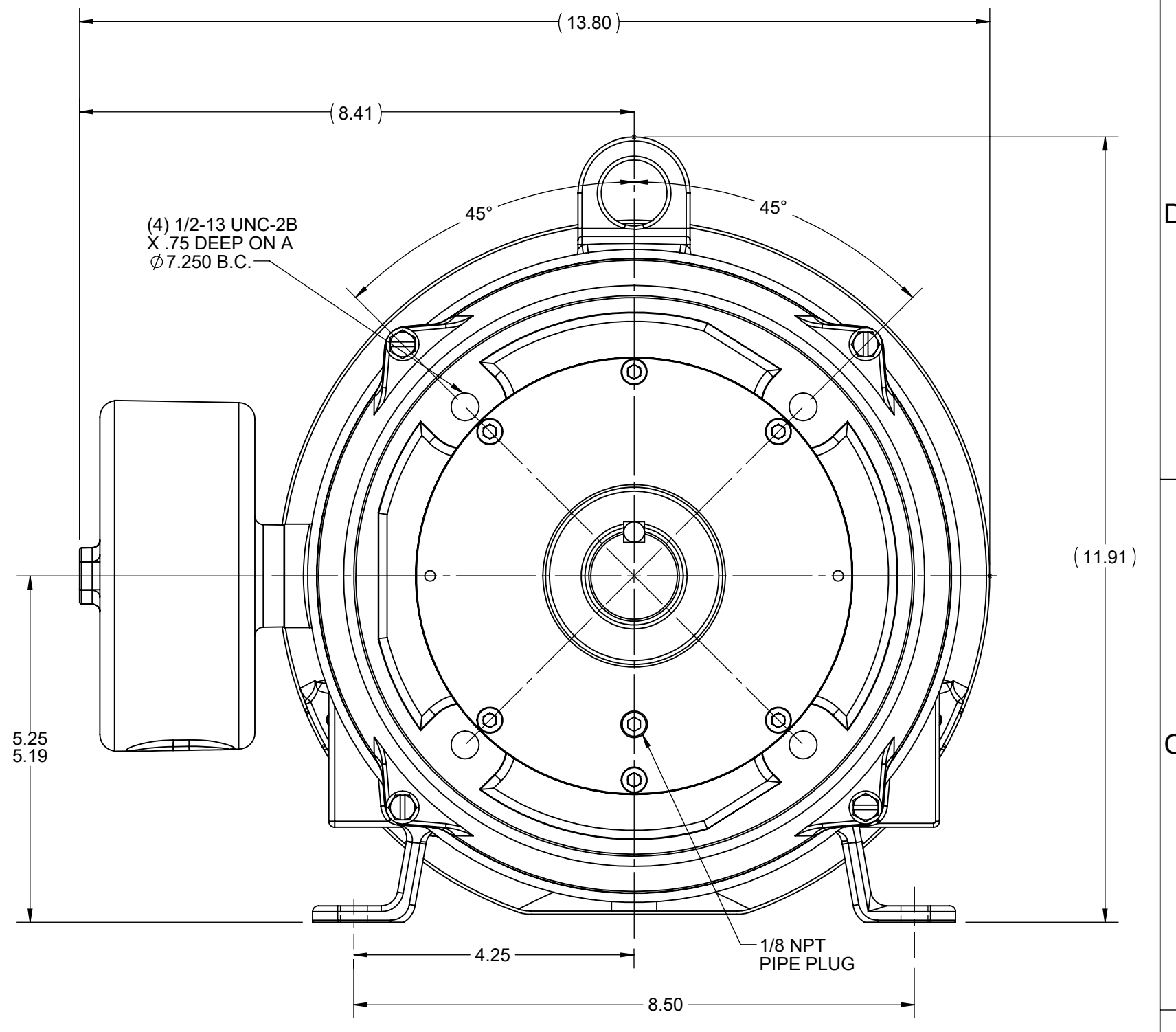
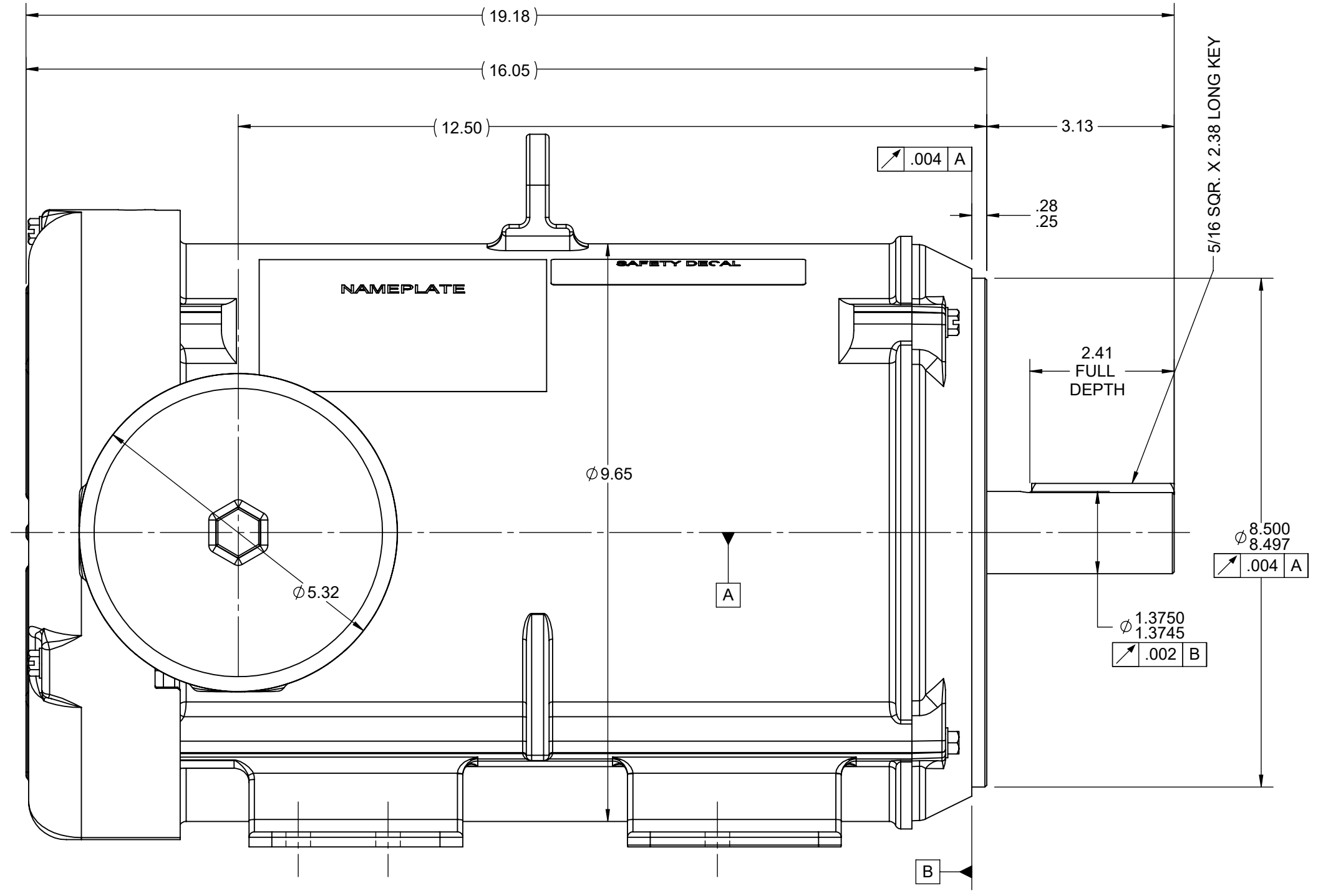
### Nameplate Specifications

Phase	<b>3</b>	Output HP	<b>7.50 &amp; 5 Hp</b>
Output KW	<b>5.6 &amp; 3.7 kW</b>	Voltage	<b>230/460 &amp; 190/380 V</b>
Speed	<b>1765 &amp; 1465 rpm</b>	Service Factor	<b>1.15 &amp; 1.15</b>
Frame	<b>213TC</b>	Enclosure	<b>Totally Enclosed Fan Cooled</b>
Thermal Protection	<b>No Protection</b>	Efficiency	<b>91.7 &amp; 88 %</b>
Ambient Temperature	<b>40 °C</b>	Frequency	<b>60 &amp; 50 Hz</b>
Current	<b>19.2/9.6 &amp; 20/10 A</b>	Power Factor	<b>79.2</b>
Duty	<b>Continuous</b>	Insulation Class	<b>F</b>
Design Code	<b>B</b>	KVA Code	<b>H</b>
Drive End Bearing Size	<b>6209</b>	Opp Drive End Bearing Size	<b>6207</b>
UL	<b>Recognized</b>	CSA	<b>Y</b>
CE	<b>Y</b>	IP Code	<b>69</b>
Number of Speeds	<b>1</b>		

### Technical Specifications

Electrical Type	<b>Squirrel Cage Inverter Rated</b>	Starting Method	<b>Line Or Inverter</b>
Poles	<b>4</b>	Rotation	<b>Reversible</b>
Resistance Main	<b>1.18 Ohms</b>	Mounting	<b>Rigid Base</b>
Motor Orientation	<b>Horizontal</b>	Drive End Bearing	<b>Ball</b>
Opp Drive End Bearing	<b>Ball</b>	Frame Material	<b>Stainless Steel</b>
Shaft Type	<b>T</b>	Shaft Diameter	<b>1.375 in</b>
Assembly/Box Mounting	<b>F1 ONLY</b>	Inverter Load	<b>VARIABLE 10:1</b>
Connection Drawing	<b>005010.52</b>	Outline Drawing	<b>OL141410</b>

This is an uncontrolled document once printed or downloaded and is subject to change without notice. Date Created:11/16/2023

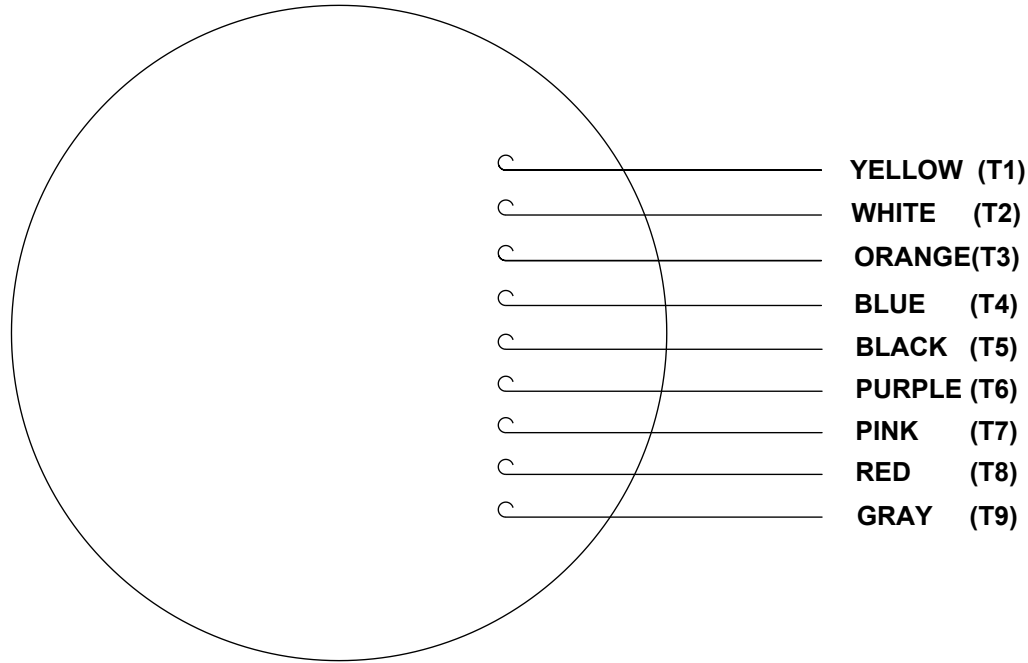


**SPECIAL FEATURES:**

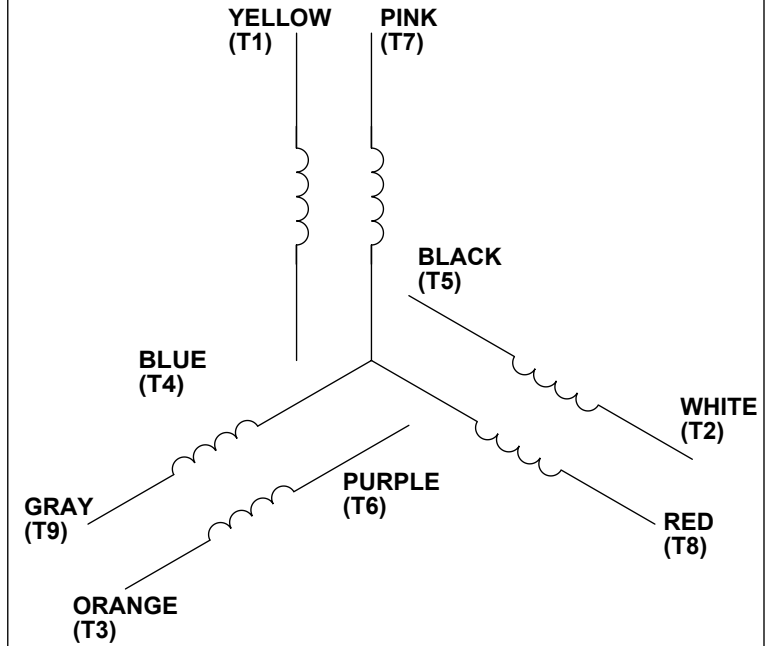
- 1) STAINLESS STEEL CONSTRUCTION
- 2) FULLY ENCAPSULATED MOTOR
- 3) 360° ROTATABLE CONDUIT BOX
- 4) IP69 RATED CONSTRUCTION

DRAWING REVISION K	REVISION BY NR	REV DATE/@ DATE 09/07/2023	TOLERANCES (EXCEPT AS NOTED): DEC. INCH mm ANGLE	DRAWN BY LST	Regal Beloit America, Inc.	
REQUEST NUMBER CR-0016763	APPROVED BY MG	DATE 09/07/2023	.X ±0.1 [±3] ±0.5° .XX ±0.03 [±0.8] .XXX ±0.005 [±0.13] .XXXX ±0.0005 [±0.013]	DATE 6/30/17		
REQUEST NUMBER DESCRIPTION UPDATED DRAWING			REMOVE BURRS & BREAK SHARP EDGES: .003/.015 [.08/.38] X 45° CORNER FILLETS: R.02 [.5] MACHINED SURFACES: .125/ mm 3.2/ mm INCH/mm	APPROVED BY	DESCRIPTION OUTLINE	
<small>COPYRIGHT (PER REVISION DATE) REGAL BELOIT AMERICA, INC. ALL RIGHTS RESERVED. PROPRIETARY AND CONFIDENTIAL INFORMATION - THIS DOCUMENT IS THE PROPERTY OF REGAL BELOIT AMERICA, INC. ("OWNER") AND CONTAINS OWNER'S PROPRIETARY INFORMATION. ANY PERSON, CORPORATION OR OTHER FIRM RECEIVING IT IS DEEMED, BY RECEIVING IT, TO AGREE THAT IT, AND/OR ANY PART OF IT, SHALL NOT BE DISCLOSED TO ANY PERSON, CORPORATION OR OTHER ENTITY, DUPLICATED, AND/OR USED, EXCEPT AS EXPRESSLY APPROVED IN WRITING IN ADVANCE BY OWNER. THIS DOCUMENT SHALL BE RETURNED TO OWNER UPON REQUEST. IT MAY BE SUBJECT TO CERTAIN RESTRICTIONS UNDER APPLICABLE EXPORT CONTROL LAWS AND REGULATIONS.</small>			DATE	MATERIAL	PROCESS/FINISH	
			mm DIMENSIONS IN [BRACKETS] ARE FOR REFERENCE ONLY	REFERENCE	210TC FRAME - TEFC - RIGID "C"	
			THIRD ANGLE PROJECTION	SIZE C	DRAWING NUMBER OL141410	SHEET 1 OF 1

VIEW FROM OUTSIDE OF MOTOR AT SWITCH END.



## LINE LEADS



VOLTAGE	L1	L2	L3	JOIN & INSULATE
HIGH	T1	T2	T3	(T4,T7) (T5,T8) (T6,T9)
LOW	T1,T7	T2,T8	T3,T9	T4,T5,T6

RBC PROPRIETARY AND CONFIDENTIAL INFORMATION  
This document is the property of REGAL BELOIT CORPORATION ("RBC") including its subsidiaries and divisions and contains proprietary information of RBC. This document is loaned on the express condition that neither it nor the information contained therein shall be disclosed to others without the express written consent of RBC, and that the information shall be used by the recipient only as approved expressly by RBC. This document shall be returned to RBC upon its request. This document may be subject to certain restrictions under U.S. export control laws and regulations.

DRAWING REVISION <b>C</b>	REVISION BY <b>PVR</b>	DATE <b>04/23/14</b>	TOLERANCES UNLESS OTHERWISE SPECIFIED: <table style="font-size: small; border-collapse: collapse;"> <tr> <td style="border-bottom: 1px solid black;">DEC.</td> <td style="border-bottom: 1px solid black;">INCH</td> <td style="border-bottom: 1px solid black;">mm</td> <td style="border-bottom: 1px solid black;">ANGLE</td> </tr> <tr> <td>.X</td> <td>±0.1</td> <td>[±2.5]</td> <td>±0.5°</td> </tr> <tr> <td>.XX</td> <td>±0.01</td> <td>[±0.25]</td> <td></td> </tr> <tr> <td>.XXX</td> <td>±0.005</td> <td>[±0.127]</td> <td></td> </tr> <tr> <td>.XXXX</td> <td>±0.0005</td> <td>[±0.0127]</td> <td></td> </tr> </table>		DEC.	INCH	mm	ANGLE	.X	±0.1	[±2.5]	±0.5°	.XX	±0.01	[±0.25]		.XXX	±0.005	[±0.127]		.XXXX	±0.0005	[±0.0127]		DRAWN BY <b>LST</b>	<b>Regal Beloit America, Inc.</b>		
DEC.	INCH	mm			ANGLE																							
.X	±0.1	[±2.5]	±0.5°																									
.XX	±0.01	[±0.25]																										
.XXX	±0.005	[±0.127]																										
.XXXX	±0.0005	[±0.0127]																										
ECO <b>ECO-0049985</b>	APPROVED BY <b>JD</b>	DATE <b>04/23/14</b>	DATE <b>4/3/14</b>	APPROVED BY																								
ECO DESCRIPTION <b>UPDATED PER ECO-0049985</b>			REMOVE BURRS & BREAK SHARP EDGES: .003/.015 [.076/.381] CORNER FILLETS: .02 [.51] MACHINED SURFACES: 125/3.2 INCH/mm		DATE	<b>LEAD ASSY EXT. WIRING DIA. 3 PH. W/O PROT.</b>																						
COPYRIGHT REGAL BELOIT AMERICA, INC. ALL RIGHTS RESERVED. PROPRIETARY AND CONFIDENTIAL INFORMATION - THIS DOCUMENT IS THE PROPERTY OF REGAL BELOIT AMERICA, INC. ("OWNER") AND CONTAINS OWNER'S PROPRIETARY INFORMATION. ANY PERSON, CORPORATION OR OTHER FIRM RECEIVING IT IS DEEMED, BY RECEIVING IT, TO AGREE THAT IT, AND/OR ANY PART OF IT, SHALL NOT BE DISCLOSED TO ANY PERSON, CORPORATION OR OTHER ENTITY, DUPLICATED, AND/OR USED, EXCEPT AS EXPRESSLY APPROVED IN WRITING IN ADVANCE BY OWNER. THIS DOCUMENT SHALL BE RETURNED TO OWNER UPON REQUEST. IT MAY BE SUBJECT TO CERTAIN RESTRICTIONS UNDER APPLICABLE EXPORT CONTROL LAWS AND REGULATIONS.					PROCESS/FINISH				MATERIAL																			
					mm SHOWN IN [BRACKETS]			THIRD ANGLE PROJECTION	SIZE <b>A</b>	DRAWING NUMBER <b>00501052</b>	SHEET <b>1 OF 1</b>																	

## EC Declaration of Conformity

The undersigned representing  
the manufacturer:

Regal Beloit America  
100 East Randolph St.  
Wausau, WI 54401

and the authorized representative  
established within the Community:

Marathon Electric UK  
6F Thistleton Road Ind. Estate  
Market Overton  
Oakham, Rutland LE15 7PP UK

are committed to providing customers with products that comply with applicable regulations and international protocols to which they are subject, including the requirements of the European Parliament Directive on the Harmonization of the laws relating to electrical equipment designed for use within certain voltage limits (2014/35/EU).

Regal Beloit America declares that the following product(s), to which this declaration relates, are in conformity with the relevant sections of the EC standards listed below.

This statement supersedes any statements previously issued pertaining to the product(s) listed below and is subject to change without notice.

Model No : 141410.00

(Model No. may contain prefix and/or suffix characters)

Catalog No : 141410.00

Rework No : N/A

Directives :

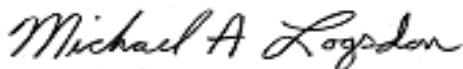
Low Voltage Directive 2014/35/EU

Harmonized Standards Used :

EN 60034-1: 2010 (IEC 60034-1: 2010)

EN 60034-5: 2001/A1:2007 (IEC 60034-5: 2000/A1:2006)

Authorized Representative:



Michael A. Logsdon  
Vice President, Technology

Authorized Representative in the Community:



Julian Clark  
Marketing Engineer

Created on 09/01/2022

**CE 22**