

PRODUCT INFORMATION PACKET



Model No: 141358.00

Catalog No: 141358.00

White Duck™ Washdown Pump Motor, 15 & 10 HP, 3 Ph, 60 & 50 Hz, 230/460 & 190/380 V, 3600 & 3000 RPM,
215JM Frame, TEFC



Regal and Leeson are trademarks of Regal Rexnord Corporation or one of its affiliated companies.

©2023 Regal Rexnord Corporation, All Rights Reserved. MC017097E





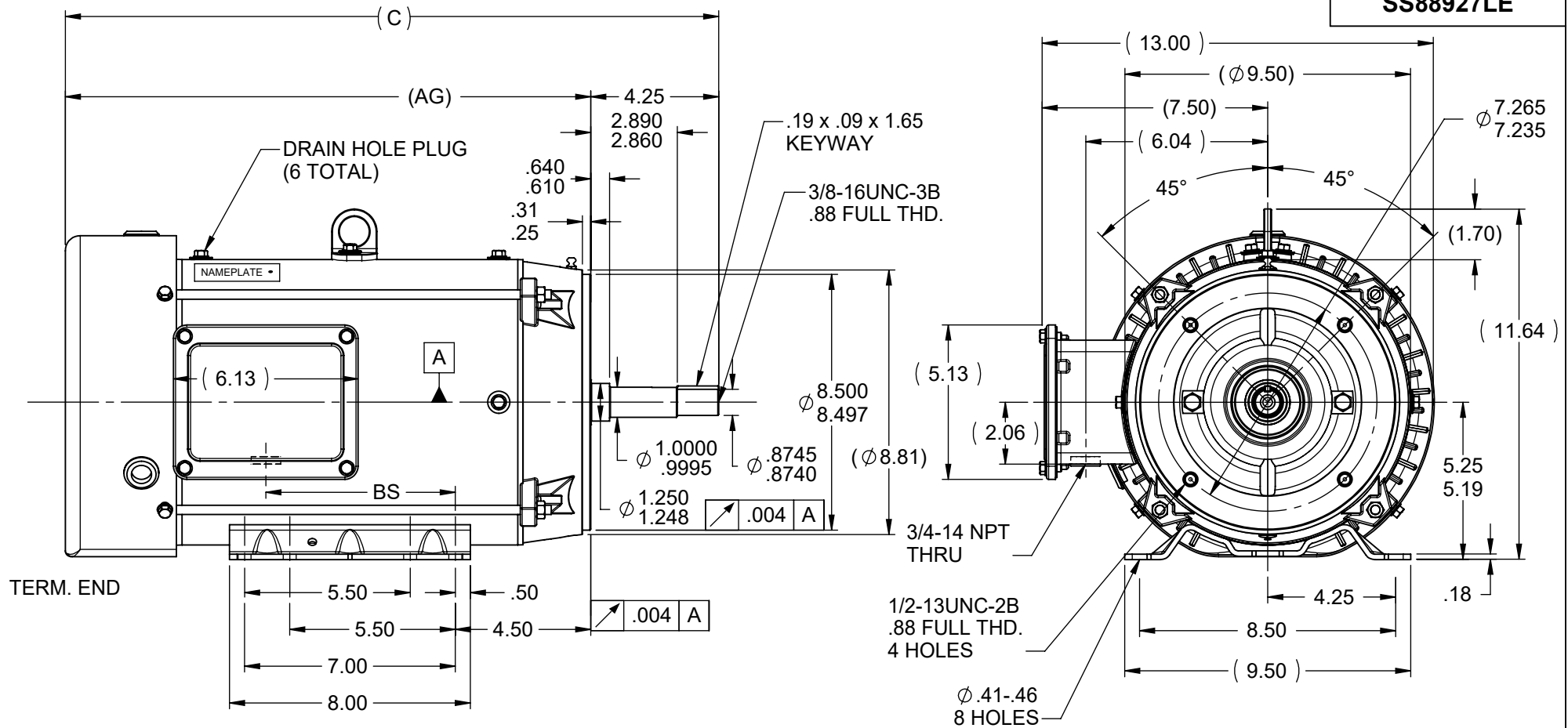
Nameplate Specifications

Phase	3	Output HP	15 & 10 Hp
Output KW	11.2 & 7.5 kW	Voltage	230/460 & 190/380 V
Speed	3495 & 2930 rpm	Service Factor	1.15 & 1.15
Frame	215JM	Enclosure	Totally Enclosed Fan Cooled
Thermal Protection	No Protection	Efficiency	91 & 91 %
Ambient Temperature	40 °C	Frequency	60 & 50 Hz
Current	35/17.6 & 29/14.5 A	Power Factor	89
Duty	Continuous	Insulation Class	F
Design Code	B	KVA Code	G
Drive End Bearing Size	6309	Opp Drive End Bearing Size	6206
UL	Recognized	CSA	Y
CE	Y	IP Code	55
Number of Speeds	1		

Technical Specifications

Electrical Type	Squirrel Cage Inverter Rated	Starting Method	Line Or Inverter
Poles	2	Rotation	Reversible
Resistance Main	.7386 Ohms	Mounting	Rigid Base
Motor Orientation	Horizontal	Drive End Bearing	Ball
Opp Drive End Bearing	Ball	Frame Material	Rolled Steel
Shaft Type	JM	Overall Length	21.71 in
Frame Length	11.15 in	Shaft Diameter	0.875 in
Shaft Extension	4.21 in	Assembly/Box Mounting	F1/F2 CAPABLE
Inverter Load	VARIABLE 10:1		
Connection Drawing	005010.01	Outline Drawing	SS88927LE-1115

SS88927LE



DASH	FRAME	C	BS	AG
965	213JM	20.21	4.81	15.96
1115	213/15JM	21.71	6.31	17.46
1240	215JM	22.96	7.56	18.71

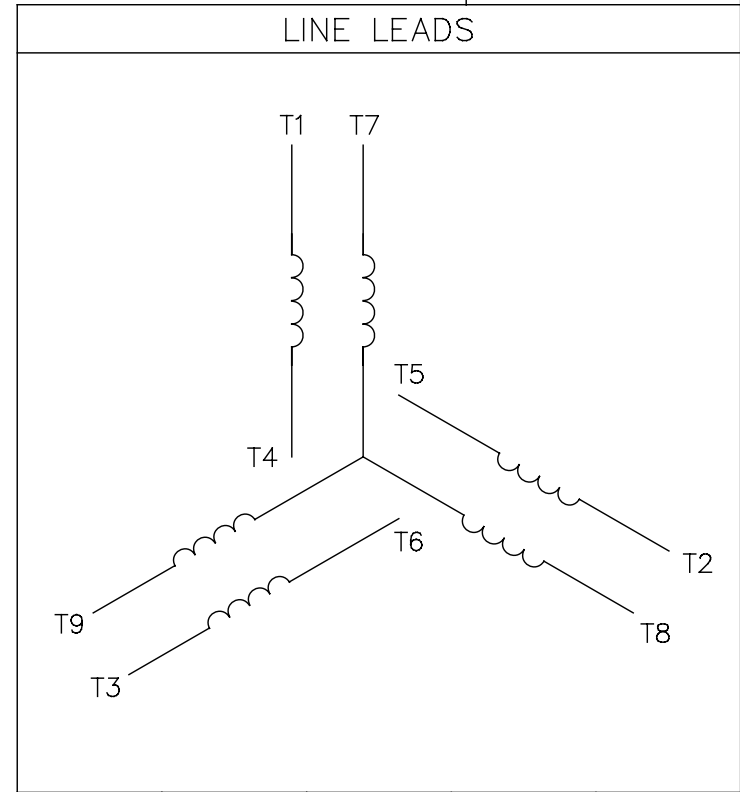
NOTES:

- 1- NAMEPLATE TO BE READ FROM C'BOX SIDE OF MOTOR.
- 2- DASH 965 TO BE READ FROM OPPOSITE SHAFT END.
- 3- C'BOX CAN BE MOUNTED ON OPPOSITE SIDE BY REMOVING BRACKETS AND TURNING FRAME 180° (EXCEPT AS NOTED).

		TOLERANCES UNLESS SPECIFIED		LEESON ELECTRIC MOTORS GEARMOTORS AND DRIVES		DRAWN RDH 08-26-2003		
NO	REVISION	BY & DATE	CHK	ANG	FINISH	SCALE	PREV	
4	REDRAWN ON SOLIDWORKS	VS 05-16-2022	VJ	DEC	INCHES	TITLE OUTLINE - WASHDOWN 210 FR. - TEFC - C'FACE - 3 PHASE	CHK ML 08-27-2003	
3	REDRAWN ON SOLIDWORKS; REVISED FOOT LOCATION DIMENSIONS; SHAFT GEOMETRY UPDATED CN 37488	DRS 01-07-2004	ML	.XX	±.03		APPR PH 08-28-2003	
2	REVISED DE THREAD DEPTH MU47608	RDH 08-28-2003	PH	.XXX	±.005		SCALE 1:5	
1	NEW DRAWING MU47608	RDH 08-28-2003	PH	.XXX	±.0005	MAT'L	REF	
							FMF	
							PREV	
THIS DRAWING IN DESIGN AND DETAIL IS OUR PROPERTY AND MUST NOT BE USED EXCEPT IN CONNECTION WITH OUR WORK. ALL RIGHTS OF DESIGN AND INVENTION ARE RESERVED. THIS IS AN ELECTRONICALLY GENERATED DOCUMENT - DO NOT SCALE THIS PRINT				RFP	CAD FILE SS88927LE	SIZE	DRAWING NO	REV
				DIST LB		A	SS88927LE	3

005010-01

VIEW FROM OUTSIDE OF MOTOR AT SWITCH END.



VOLTAGE	L1	L2	L3	JOIN & INSULATE
HIGH	T1	T2	T3	(T4,T7) (T5,T8) (T6,T9)
LOW	T1,T7	T2,T8	T3,T9	T4,T5,T6

		TOLERANCES UNLESS SPECIFIED		Regal Beloit America, Inc.		DRAWN RDW 04/12/02			
		DEC.	INCHES			CHK	APPD		
		.X	±.1			TITLE	EXTERNAL WIRING DIAGRAM 3 PHASE W/O PROTECTOR	SCALE	1=1
		.XX	±.01				DECAL - 004014	REF	FIG.2-51
		.XXX	±.005					FMF	
A	UPDATED TO REGAL LOGO	SAJ	06/26/15	AJY	.XXXX ±.0005			PREV	
NO.	REVISION	BY & DATE	CHK	ANG	±1/2"	FINISH			
THIS DRAWING IN DESIGN AND DETAIL IS OUR PROPERTY AND MUST NOT BE USED EXCEPT IN CONNECTION WITH OUR WORK ALL RIGHTS OF DESIGN AND INVENTION ARE RESERVED THIS IS AN ELECTRONICALLY GENERATED DOCUMENT - DO NOT SCALE THIS PRINT			RFP	04/12/02	CAD FILE	00501001	SIZE	DRAWING NO.	REV.
			DIST	BRF-NLV			A	005010-01	A

P.O. BOX 8003
 WAUSAU, WI 54401-8003
 PH. 715-675-3311



DATA VOLTS: 460

CERTIFICATION DATA SHEET

CONN. DIAGRAM: 005010.01
 OUTLINE: A-SS88927LE-1115
 WINDING: K2132128

CAT #: 141358.00

NONE 1

TYPICAL MOTOR PERFORMANCE DATA

HP	KW	SYNC RPM	FL RPM	FRAME	ENCLOSURE	TYPE	KVA CODE	DESIGN
15	11.2	3600	3495	215TC	TEFC	TFW	G	B

PH	HZ	VOLTS	AMPS	START TYPE	DUTY	INSL	S.F.	AMB	ELEV.
3	60/50	230/460#190/380	35/17.6&28.4/14.2	LINE OR INVERTER	CONT	F	1.15	40	3300

F.L. EFF	91.0	3/4 LD EFF	90.7	1/2 LD EFF	90.6	GTD EFF	89.5	ELECT. TYPE	SQ CAGE INV RATED
F.L. PF	89.0	3/4 LD PF	86.3	1/2 LD PF	79.1				

F.L. TORQUE	22.5 LB-FT	LR AMPS @ 460 V	109	L.R. TORQUE	42.8 LB-FT 190%	B.D. TORQUE	61.8 LB-FT 275%	F.L. RISE (°C)	80
-------------	------------	-----------------	-----	-------------	-----------------	-------------	-----------------	----------------	----

PRESSURE @ 3	72 dBA	POWER	81 dBA	ROTOR WK²	0.75 LB-FT²	MAX. LOAD WK²	18 LB-FT²	SAFE STALL TIME	15 SEC.	STARTS/HOUR	2	MOTOR WGT	128 LB.
--------------	--------	-------	--------	-----------	-------------	---------------	-----------	-----------------	---------	-------------	---	-----------	---------

*** SUPPLEMENTAL INFORMATION ***

DE BRACKET TYPE	ODE BRACKET TYPE	MOUNT TYPE	MOTOR ORIENTATION	SEVERE DUTY	HAZARDOUS LOCATION	DRIP COVER	SCREENS	PAINT
C-FACE	STANDARD	RIGID	HORIZONTAL	NO	NONE	NO	NONE	HITE - LEESON (EPO

BEARINGS		GREASE	SHAFT TYPE	SPECIAL DE	SPECIAL ODE	SHAFT MATERIAL	FRAME MATERIAL
DE	ODE						
BALL	BALL	POLYREX EM	T	NONE	NONE	303 STAINLESS (C-501)	ROLLED STEEL
6309	6206						

THERMOSTATS	PROTECTORS	WDG RTD's	BRG RTD's	THERMISTORS	CONTROL	SPACE HEATERS
NONE	NOT	NONE	NONE	NONE	FALSE	NA

R1 (ohms/ph)	R2 (ohms/ph)	X1 (ohms/ph)	X2 (ohms/ph)	Xm (ohms/ph)	VIBRATION (in/sec)	FLOAT
0.397	0.295	1.334	1.249	45.171	0.150	ODE

* N O T E S *		INVERTER TORQUE: VARIABLE 10:1 INV. HP SPEED RANGE: NONE ENCODER: NONE NONE NONE NONE PPR

DATE: 2/19/2018	BRAKE: NONE NONE NONE FT-LB: NA VOLTAGE: NONE HZ: UL: Y-(LEESON UL REC)
-----------------	-------------------------------------------------------------------------------------------

Data Sheet

Date: 2/19/2018

141358.00



Data @ 460 V

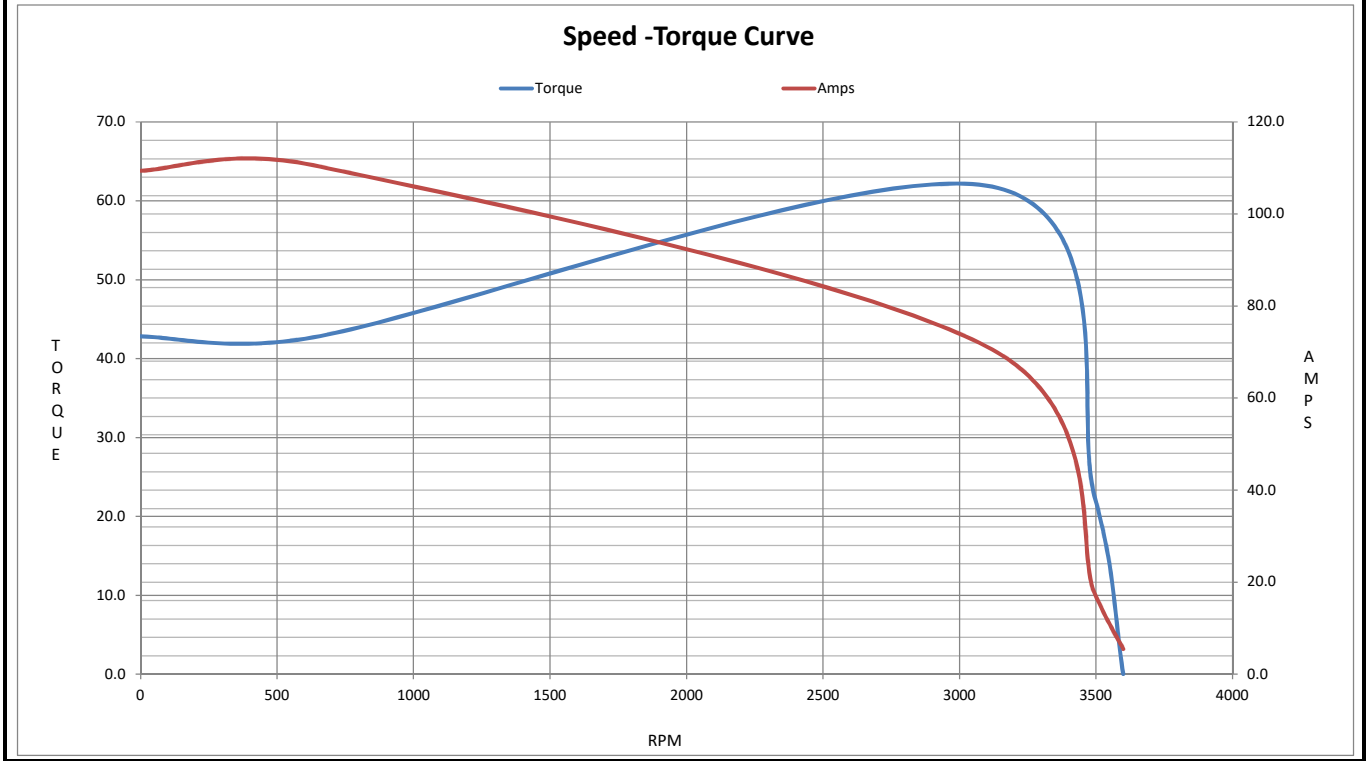
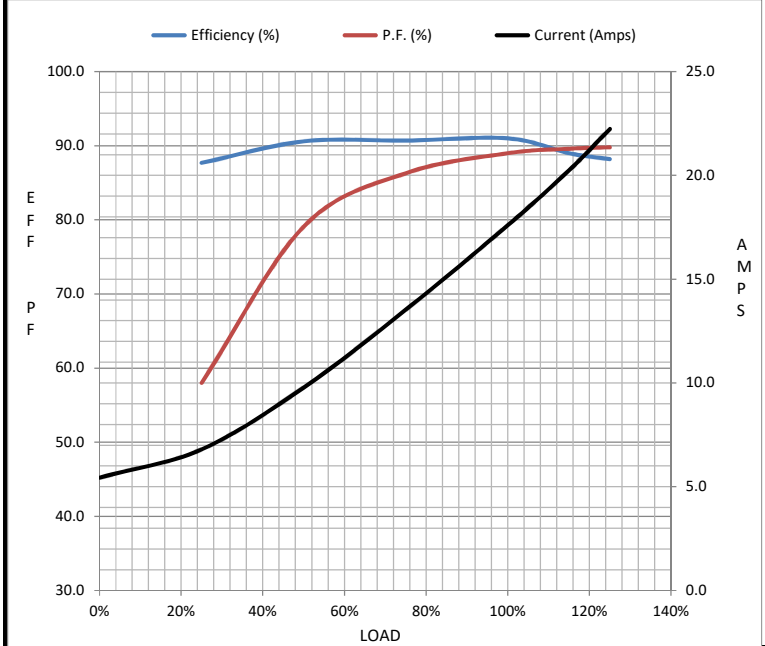
Motor Load Data

Load	0%	25%	50%	75%	100%	115%	125%	LR
Current (Amps)	5.4	6.8	9.8	13.5	17.6	20.3	22.2	109
Torque (ft-lb)	0.00	5.5	11.1	16.9	22.5	26.1	28.6	42.8
RPM	3600	3576	3552	3524	3495	3475	3461	0
Efficiency (%)		87.7	90.6	90.7	91.0	89.0	88.2	
P.F. (%)	18.2	58.0	79.1	86.3	89.0	89.6	89.8	45.6

Motor Speed Data

	LR	Pull-Up	BD	Rated	Idle
Speed (RPM)	0	632	3120	3495	3600
Current (Amps)	109	111	70.5	17.6	5.4
Torque (ft-lb)	42.8	42.7	61.8	22.5	0.00

Information Block				
HP	15.0			
Sync. RPM	3600			
Frame	215			
Enclosure	TEFC			
Construction	TFW			
Voltage	230/460#190/380 V			
Frequency	60 Hz			
Design	A			
LR Code letter	G			
Service Factor	1.15			
Temp Rise @ FL	80 °C			
Duty	CONT			
Ambient	40 °C			
Elevation	1,000 feet			
Rotor/Shaft wk ²	0.75 Lb-Ft ²			
Ref Wdg	K2132128 NONE			
Sound Pressure @ 1M	72 dBA			
VFD Rating	VARIABLE 10:1			
Outline Dwg	A-SS88927LE-1115			
Conn. Diag	005010.01			
Additional Specifications:				
0				
0				
EQUIV CKT (OHMS / PHASE)				
R1	R2	X1	X2	Xm
0.3970	0.2950	1.3340	1.2490	45.1710



EC Declaration of Conformity

The undersigned representing
the manufacturer:

Regal Beloit America
100 East Randolph St.
Wausau, WI 54401

and the authorized representative
established within the Community:

Marathon Electric UK
6F Thistleton Road Ind. Estate
Market Overton
Oakham, Rutland LE15 7PP UK

are committed to providing customers with products that comply with applicable regulations and international protocols to which they are subject, including the requirements of the European Parliament Directive on the Harmonization of the laws relating to electrical equipment designed for use within certain voltage limits (2014/35/EU).

Regal Beloit America declares that the following product(s), to which this declaration relates, are in conformity with the relevant sections of the EC standards listed below.

This statement supersedes any statements previously issued pertaining to the product(s) listed below and is subject to change without notice.

Model No : 141358.00

(Model No. may contain prefix and/or suffix characters)

Catalog No : 141358.00

Rework No : N/A

Directives :

Low Voltage Directive 2014/35/EU

Harmonized Standards Used :

EN 60034-1: 2010 (IEC 60034-1: 2010)

EN 60034-5: 2001/A1:2007 (IEC 60034-5: 2000/A1:2006)

Authorized Representative:



Michael A. Logsdon
Vice President, Technology

Authorized Representative in the Community:



Julian Clark
Marketing Engineer

Created on 09/01/2022

CE 22