

PRODUCT INFORMATION PACKET



Model No: 141357.00

Catalog No: 141357.00

White Duck™ General Purpose Motor, 15 & 10 HP, 3 Ph, 60 & 50 Hz, 230/460 & 190/380 V,
3600 & 3000 RPM, 215TC Frame, TEFC



Regal and Leeson are trademarks of Regal Rexnord Corporation or one of its affiliated companies.

©2023 Regal Rexnord Corporation, All Rights Reserved. MC017097E



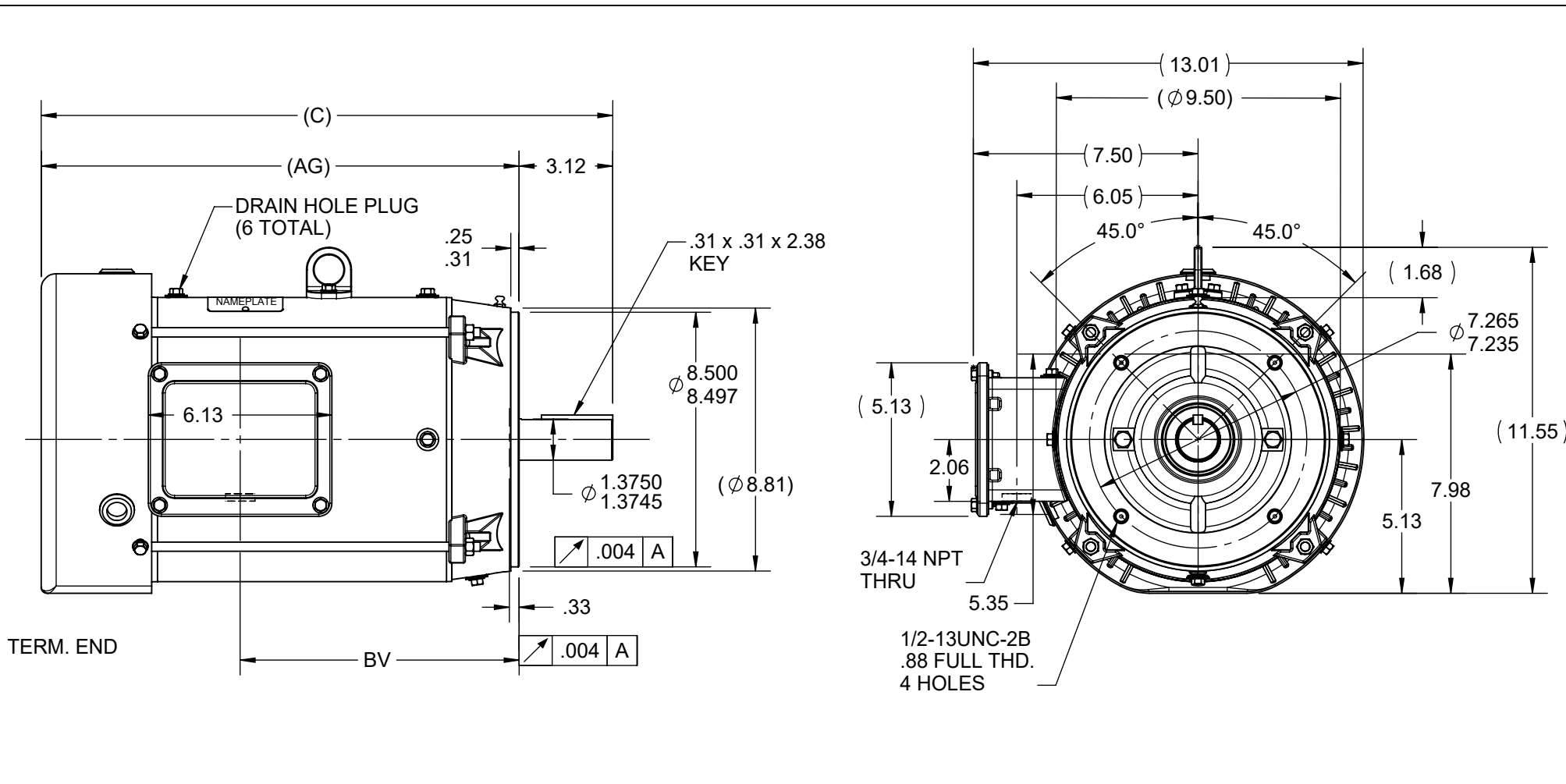


Nameplate Specifications

Phase	3	Output HP	15 & 10 Hp
Output KW	11.2 & 7.5 kW	Voltage	230/460 & 190/380 V
Speed	3495 & 2930 rpm	Service Factor	1.15 & 1.15
Frame	215TC	Enclosure	Totally Enclosed Fan Cooled
Thermal Protection	No Protection	Efficiency	91 & 91 %
Ambient Temperature	40 °C	Frequency	60 & 50 Hz
Current	35/17.6 & 28.4/14.2 A	Power Factor	89
Duty	Continuous	Insulation Class	F
Design Code	B	KVA Code	G
Drive End Bearing Size	6309	Opp Drive End Bearing Size	6206
UL	Recognized	CSA	Y
CE	Y	IP Code	55
Number of Speeds	1		

Technical Specifications

Electrical Type	Squirrel Cage Inverter Rated	Starting Method	Line Or Inverter
Poles	2	Rotation	Reversible
Resistance Main	.7386 Ohms	Mounting	Round
Motor Orientation	Horizontal	Drive End Bearing	Ball
Opp Drive End Bearing	Ball	Frame Material	Rolled Steel
Shaft Type	T	Overall Length	20.58 in
Frame Length	11.15 in	Shaft Diameter	1.375 in
Shaft Extension	3.12 in	Assembly/Box Mounting	F1/F2 CAPABLE
Inverter Load	VARIABLE 10:1		
Connection Drawing	EE7308	Outline Drawing	SS88922LE-1115



- NOTES:
 1- NAMEPLATE TO BE READ FROM C'BOX SIDE OF MOTOR.
 2- C'BOX CAN BE MOUNTED ON OPPOSITE SIDE BY REMOVING BRACKETS AND TURNING FRAME 180° (EXCEPT AS NOTED).
 3- DASH 965 TO BE READ FROM OPPOSITE SHAFT END.

DASH	FRAME	C	AG	BV	MOUNTING
965	213T	19.08	15.96	9.26	
1115	213/15T	20.58	17.46	10.76	
1240	213/15T	21.83	18.71	12.01	F1 ONLY

DRAWING REVISION H
 REVISION BY K.RAJESH
 REV DATE/© DATE 08/10/2021
 REQUEST NUMBER CR-0004806
 APPROVED BY NIV
 DATE 08/10/2021
 REQUEST NUMBER DESCRIPTION
 UPDATE AS PER 3D MODEL
 COPYRIGHT (PER REVISION DATE) REGAL BELOIT AMERICA, INC. ALL RIGHTS RESERVED. PROPRIETARY AND CONFIDENTIAL INFORMATION - THIS DOCUMENT IS THE PROPERTY OF REGAL BELOIT AMERICA, INC. ("OWNER") AND CONTAINS OWNER'S PROPRIETARY INFORMATION. ANY PERSON, CORPORATION OR OTHER FIRM RECEIVING IT IS DEEMED, BY RECEIVING IT, TO AGREE THAT IT, AND/OR ANY PART OF IT, SHALL NOT BE DISCLOSED TO ANY PERSON, CORPORATION OR OTHER ENTITY, DUPLICATED, AND/OR USED, EXCEPT AS EXPRESSLY APPROVED IN WRITING IN ADVANCE BY OWNER. THIS DOCUMENT SHALL BE RETURNED TO OWNER UPON REQUEST. IT MAY BE SUBJECT TO CERTAIN RESTRICTIONS UNDER APPLICABLE EXPORT CONTROL LAWS AND REGULATIONS.

TOLERANCES (EXCEPT AS NOTED):
 DEC. INCH mm ANGLE
 .X ±0.1 [± 3] $\pm 7' 30''$
 .XX ±0.03 [± 0.8]
 .XXX ±0.005 [± 0.13]
 .XXXX ±0.0005 [± 0.013]
 REMOVE BURRS & BREAK SHARP EDGES: .003/.015 [.08/.38] X 45°
 CORNER FILLETS: R.02 [.5]
 MACHINED SURFACES: 200/ 5.1 INCH mm
 mm DIMENSIONS IN [BRACKETS] ARE FOR REFERENCE ONLY

DRAWN BY TJB
 DATE 19/08/2003
 APPROVED BY DR
 DATE 21/08/2003
 REFERENCE
 THIRD ANGLE PROJECTION

REGAL Regal Beloit America, Inc.
 DESCRIPTION
OUTLINE
 210 FR. - BB - TS - TEFC - R/S - C'FACE
 MATERIAL PROCESS/FINISH
 SIZE DRAWING NUMBER SHEET
A SS88922LE 1 OF 1



NO.	REVISION	BY & DATE	CHK	ANG	TOLERANCES UNLESS SPECIFIED		FINISH	DRAWN RM 11/20/1990				
					DEC.	INCHES						
5	CHG TO REGAL LOGO	SL 09/10/2015	AB					CHK ML 11/21/1990				
4	REVISED IEC NOTATIONS	MSG 11/15/2011	CMN	.X	±.1			APPD SAS 04/24/2003				
3	ADDED IEC NOTATIONS... (U1), (V1) ETC. MU95194	MSG 5/10/2010	MJS	.XX	±.02			SCALE 1=1				
2	ADDED THE OPTIONAL CORD CONNECTION MU46318	RDH 04/24/2003	DRS	.XXX	±.005		TITLE CONNECTION DIAGRAM 3Ø - DUAL VOLTAGE MOTOR	REF				
1	REDRAWN	RM 11/20/1990		.XXXX	±.0005		MAT'L.	FMF				
					±7'30"			PREV				
THIS DRAWING IN DESIGN AND DETAIL IS OUR PROPERTY AND MUST NOT BE USED EXCEPT IN CONNECTION WITH OUR WORK ALL RIGHTS OF DESIGN AND INVENTION ARE RESERVED THIS IS AN ELECTRONICALLY GENERATED DOCUMENT - DO NOT SCALE THIS PRINT							RFP	CAD FILE ee7308	SIZE A	DRAWING NO. EE7308	PAGE OF 5	REV. 5
							DIST WP					



**1051 CHEYENNE AVE.
GRAFTON, WI 53024
PH. 262-377-8810**

CERTIFICATION DATA SHEET

CONN. DIAGRAM: 005010.01

CATALOG #: 141357.00

OUTLINE: SS88922LE-1115

MOUNTING: F1/F2 CAPABLE

WINDING #: K2132128 1

TYPICAL MOTOR PERFORMANCE DATA

HP	kW	SYNC. RPM	F.L. RPM	FRAME	ENCLOSURE	KVA CODE	DESIGN
15&10	11.2&7.50	3600	3495	215TC	TEFC	G	B

PH	Hz	VOLTS	AMPS	START TYPE	DUTY	INSL	S.F.	AMB°C
3	60/50	230/460&190/380	35/17.6&28.4/14.2	LINE OR INVERTER	CONTINUOUS	F4	1.15/1.15	40

FULL LOAD EFF:	91	3/4 LOAD EFF:	90.7	1/2 LOAD EFF:	90.6	GTD. EFF		ELEC. TYPE	
FULL LOAD PF:	89	3/4 LOAD PF:	86.3	1/2 LOAD PF:	79.1	89.5		SQ CAGE INV RATED	

F.L. TORQUE	LOCKED ROTOR AMPS	L.R. TORQUE	B.D. TORQUE	F.L. RISE°C
22.54 LB-FT	218.8 / 109.4	42.81 LB-FT 189.9 %	61.8 LB-FT 364.72 %	80

SOUND PRESSURE @ 3 FT.	SOUND POWER	ROTOR WK^2	MAX. WK^2	SAFE STALL TIME	STARTS / HOUR	APPROX. MOTOR WGT
72 dBA	82 dBA	0.75 LB-FT^2	18 LB-FT^2	15 SEC.	2	128 LBS.

***** SUPPLEMENTAL INFORMATION *****

DE BRACKET TYPE	ODE BRACKET TYPE	MOUNT TYPE	ORIENTATION	SEVERE DUTY	HAZARDOUS LOCATION	DRIP COVER	SCREENS	PAINT
C-FACE	STANDARD	ROUND	HORIZONTAL	FALSE	NONE	FALSE	NONE	WHITE - LEESON (EPOXY)

BEARINGS		GREASE	SHAFT TYPE	SPECIAL DE	SPECIAL ODE	SHAFT MATERIAL	FRAME MATERIAL
DE	ODE						
BALL	BALL	POLYREX EM	T	NONE	NONE	303 STAINLESS (C-501)	ROLLED STEEL
6309	6206						

THERMO-PROTECTORS				THERMISTORS	CONTROL	SPACE HEATERS
THERMOSTATS	PROTECTORS	WDG RTDs	BRG RTDs			
NONE	NOT	NONE	NONE	NONE	FALSE	NONE VOLTS

*
N
O
T
E
S

INVERTER TORQUE: VARIABLE 10:1
INV. HP SPEED RANGE: NONE
ENCODER: NONE
NONE NONE
NONE NONE PPR
BRAKE: NONE NONE
NONE P/N NONE
NONE NONE
NONE FT-LB NONE V NONE Hz



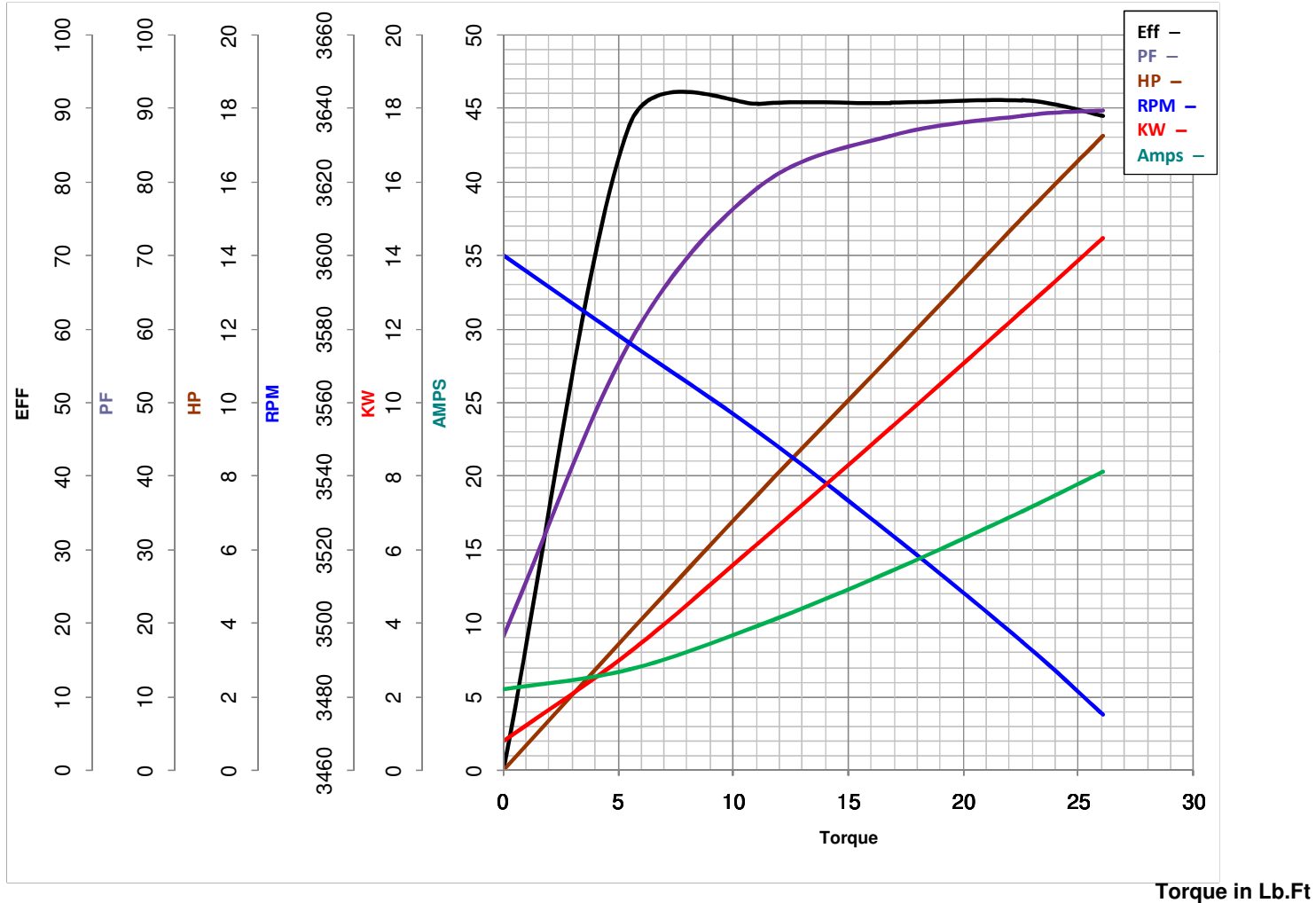
LEESON ELECTRIC CORPORATION
 TYPICAL PERFORMANCE CURVE for AC MOTOR

Model No 141357.00

Catalog No 141357.00

Curve at 460 Volts HP 15&10 PHASE 3
60 HZ
15 HP VOLTS 230/460&190/380

HZ 60&50 RPM 3495&



FL TORQUE	<u>22.54</u> Lb.Ft	FL AMPS	<u>35/17.6</u>
BD TORQUE	<u>61.8</u> Lb.Ft	PU TORQUE	<u>42.7</u> Lb.Ft
LR TORQUE	<u>42.81</u> Lb.Ft	LR AMPS	<u>109.4</u>
WINDING	K2132128-1	Date	6/4/2018

EC Declaration of Conformity

The undersigned representing
the manufacturer:

Regal Beloit America
100 East Randolph St.
Wausau, WI 54401

and the authorized representative
established within the Community:

Marathon Electric UK
6F Thistleton Road Ind. Estate
Market Overton
Oakham, Rutland LE15 7PP UK

are committed to providing customers with products that comply with applicable regulations and international protocols to which they are subject, including the requirements of the European Parliament Directive on the Harmonization of the laws relating to electrical equipment designed for use within certain voltage limits (2014/35/EU).

Regal Beloit America declares that the following product(s), to which this declaration relates, are in conformity with the relevant sections of the EC standards listed below.

This statement supersedes any statements previously issued pertaining to the product(s) listed below and is subject to change without notice.

Model No : 141357.00

(Model No. may contain prefix and/or suffix characters)

Catalog No : 141357.00

Rework No : N/A

Directives :

Low Voltage Directive 2014/35/EU

Harmonized Standards Used :

EN 60034-1: 2010 (IEC 60034-1: 2010)

EN 60034-5: 2001/A1:2007 (IEC 60034-5: 2000/A1:2006)

Authorized Representative:



Michael A. Logsdon
Vice President, Technology

Authorized Representative in the Community:



Julian Clark
Marketing Engineer

Created on 09/01/2022

CE 22