

# PRODUCT INFORMATION PACKET



Model No: 141346.00

Catalog No: 141346.00

..10HP..1800RPM.215TYZ.TEFC.208-230/460VAC.3PH.60HZ.CONT.40C.1.15 SF.2-Bolt SAE AA.....NONE.....

Regal and Leeson are trademarks of Regal Rexnord Corporation or one of its affiliated companies.

©2023 Regal Rexnord Corporation, All Rights Reserved. MC017097E





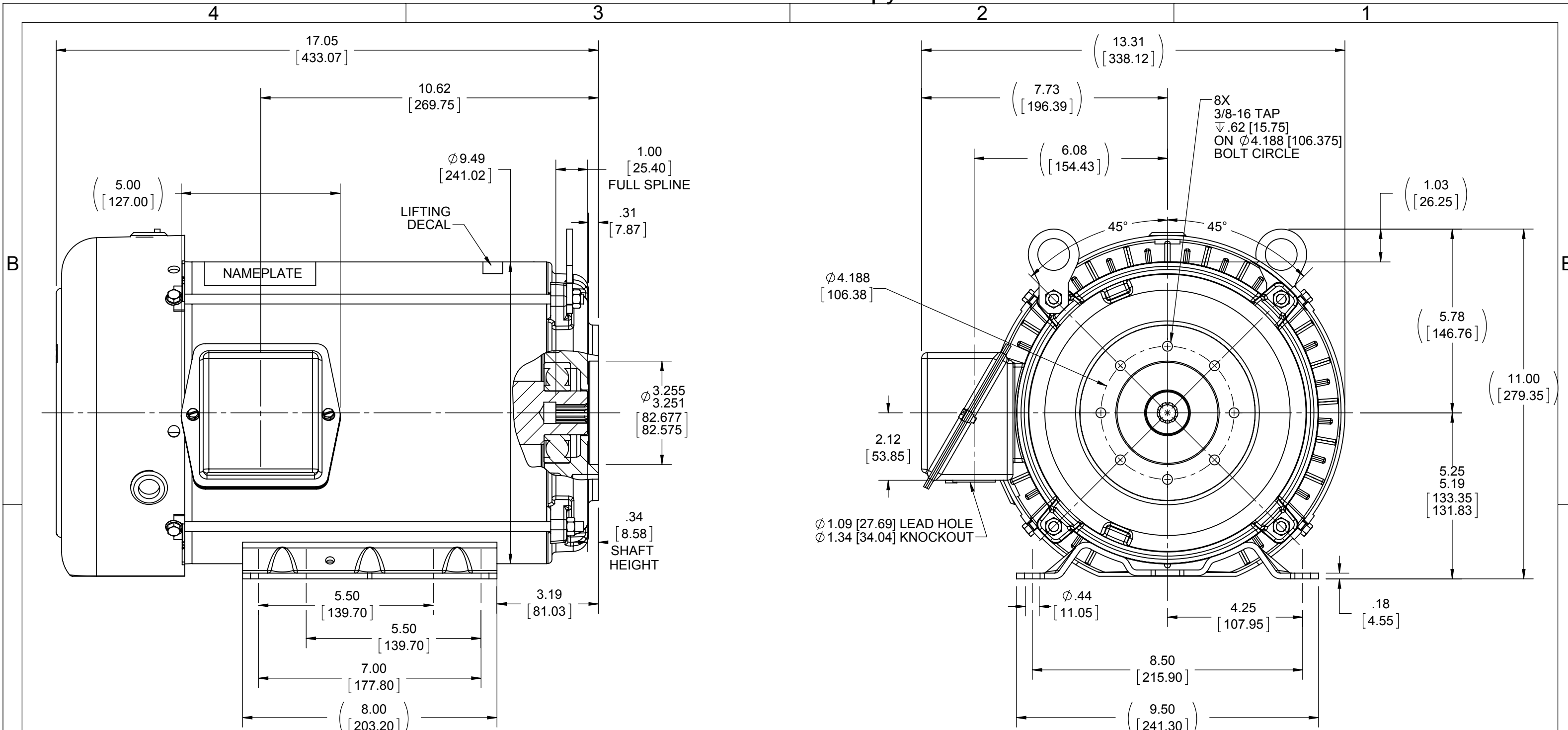
### Nameplate Specifications

Phase	<b>3</b>	Output HP	<b>10 &amp; 7.50 Hp</b>
Output KW	<b>7.5 &amp; 5.6 kW</b>	Voltage	<b>230/460 &amp; 190/380 V</b>
Speed	<b>1760 &amp; 1475 rpm</b>	Service Factor	<b>1.15 &amp; 1.15</b>
Frame	<b>215TZ</b>	Enclosure	<b>Totally Enclosed Fan Cooled</b>
Thermal Protection	<b>No Protection</b>	Efficiency	<b>91.7 &amp; 89.5 %</b>
Ambient Temperature	<b>40 °C</b>	Frequency	<b>60 &amp; 50 Hz</b>
Current	<b>26.4/13.2 &amp; 27.4/13.7 A</b>	Power Factor	<b>77.5</b>
Duty	<b>Continuous</b>	Insulation Class	<b>F</b>
Design Code	<b>B</b>	KVA Code	<b>H</b>
Drive End Bearing Size	<b>6307</b>	Opp Drive End Bearing Size	<b>6206</b>
UL	<b>Recognized</b>	CSA	<b>Y</b>
CE	<b>N</b>	IP Code	<b>43</b>
Number of Speeds	<b>1</b>		

### Technical Specifications

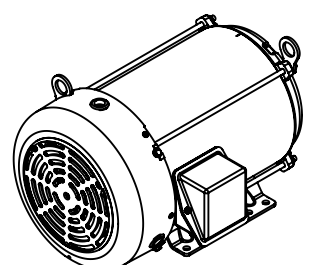
Electrical Type	<b>Squirrel Cage Inverter Rated</b>	Starting Method	<b>Line Or Inverter</b>
Poles	<b>4</b>	Rotation	<b>Reversible</b>
Resistance Main	<b>.9 Ohms</b>	Mounting	<b>Rigid Base</b>
Motor Orientation	<b>Horizontal</b>	Drive End Bearing	<b>Ball</b>
Opp Drive End Bearing	<b>Ball</b>	Frame Material	<b>Rolled Steel</b>
Shaft Type	<b>Single Special Extension</b>	Assembly/Box Mounting	<b>F1 ONLY</b>
Inverter Load	<b>CONSTANT 10:1</b>		
Outline Drawing	<b>609-0004</b>	Connection Drawing	<b>005010.01</b>

This is an uncontrolled document once printed or downloaded and is subject to change without notice. Date Created:06/22/2023



**A**

INTERNAL INVOLUTE SPLINE FLAT ROOT SIDE FIT - CLASS 5 FIT	
NO. OF TEETH	9
SPLINE PITCH	16/32
PRESSURE ANGLE	30°
BASE DIAMETER	.4871 [12.3723] REF.
PITCH DIAMETER	.5625 [14.2875] REF.
MAJOR DIAMETER	.651 [16.535] MAX
FORM DIAMETER	.629 [15.977]
MINOR DIAMETER	.509/.514 [12.929/13.056]
CIRCULAR SPACE WIDTH	
MAXIMUM ACTUAL	.1008 [2.5603]
MINIMUM EFFECTIVE	.0982 [2.3571]
SIZE BETWEEN	BHT .399/.401 [10.135/10.185]
Ø.108[2.743] PINS	.399/.402 [10.1357/10.211]
ANSI B92.1-1996 PROVISIONS APPLY	



- NOTES:**
- 1) NAMEPLATE TO BE READ FROM C'BOX SIDE OF MOTOR
  - 2) BOX CAN BE MOUNTED IN 90° STEPS
  - 3) BOX CAN BE MOUNTED ON OPPOSITE SIDE BY REMOVING BRACKETS AND TURNING FRAME 180° (EXCEPT AS NOTED)

DRAWING REVISION C	REVISION BY MITCH VERBICK	DATE 10/7/2014	TOLERANCES UNLESS OTHERWISE SPECIFIED: DEC. INCH mm ANGLE ±0.5° .X ±0.1 [±2.5] .XX ±0.03 [±0.76] .XXX ±0.005 [±0.127] .XXXX ±0.0005 [±0.0127]	DRAWN BY MITCH VERBICK	<b>REGAL</b> ™ Regal Beloit America, Inc.
ECO ECO-0062088	APPROVED BY	DATE	REMOVE BURRS & BREAK SHARP EDGES: .003/.015 [0.076/.381] CORNER FILLETS: .02 [0.51] MACHINED SURFACES: 125 INCH 3.2 mm SHOWN IN [BRACKETS]	DATE 2/17/2014	
ECO DESCRIPTION SPLINE DEPTH ADDED				APPROVED BY	DESCRIPTION <b>OUTLINE 210 FRAME SAE A SPLINE</b>
<small>COPYRIGHT REGAL BELOIT AMERICA, INC. ALL RIGHTS RESERVED. PROPRIETARY AND CONFIDENTIAL INFORMATION - THIS DOCUMENT IS THE PROPERTY OF REGAL BELOIT AMERICA, INC. ("OWNER") AND CONTAINS OWNER'S PROPRIETARY INFORMATION. ANY PERSON, CORPORATION OR OTHER FIRM RECEIVING IT IS DEEMED, BY RECEIVING IT, TO AGREE THAT IT, AND/OR ANY PART OF IT, SHALL NOT BE DISCLOSED TO ANY PERSON, CORPORATION OR OTHER ENTITY, DUPLICATED, AND/OR USED, EXCEPT AS EXPRESSLY APPROVED IN WRITING IN ADVANCE BY OWNER. THIS DOCUMENT SHALL BE RETURNED TO OWNER UPON REQUEST. IT MAY BE SUBJECT TO CERTAIN RESTRICTIONS UNDER APPLICABLE EXPORT CONTROL LAWS AND REGULATIONS.</small>				DATE	MATERIAL
				PROCESS/FINISH	SIZE B
				THIRD ANGLE PROJECTION	DRAWING NUMBER 609-0004
					SHEET 1 OF 1

005010-01

VIEW FROM OUTSIDE OF MOTOR AT SWITCH END.



VOLTAGE	L1	L2	L3	JOIN & INSULATE
HIGH	T1	T2	T3	(T4,T7) (T5,T8) (T6,T9)
LOW	T1,T7	T2,T8	T3,T9	T4,T5,T6

				TOLERANCES UNLESS SPECIFIED		<b>Regal Beloit America, Inc.</b>		DRAWN RDW 04/12/02				
				DEC.	INCHES			CHK				
				.X	±.1			APPD				
				.XX	±.01			SCALE 1=1				
				.XXX	±.005	TITLE		REF FIG.2-51				
A	UPDATED TO REGAL LOGO			SAJ	06/26/15	AJY	.XXXX	±.0005	MAT'L. DECAL - 004014	FMF		
NO.	REVISION			BY & DATE	CHK	ANG	±1/2"	FINISH	PREV			
THIS DRAWING IN DESIGN AND DETAIL IS OUR PROPERTY AND MUST NOT BE USED EXCEPT IN CONNECTION WITH OUR WORK ALL RIGHTS OF DESIGN AND INVENTION ARE RESERVED THIS IS AN ELECTRONICALLY GENERATED DOCUMENT - DO NOT SCALE THIS PRINT				RFP	04/12/02		CAD FILE	00501001		SIZE	DRAWING NO.	REV.
				DIST	BRF-NLV			A	005010-01		A	



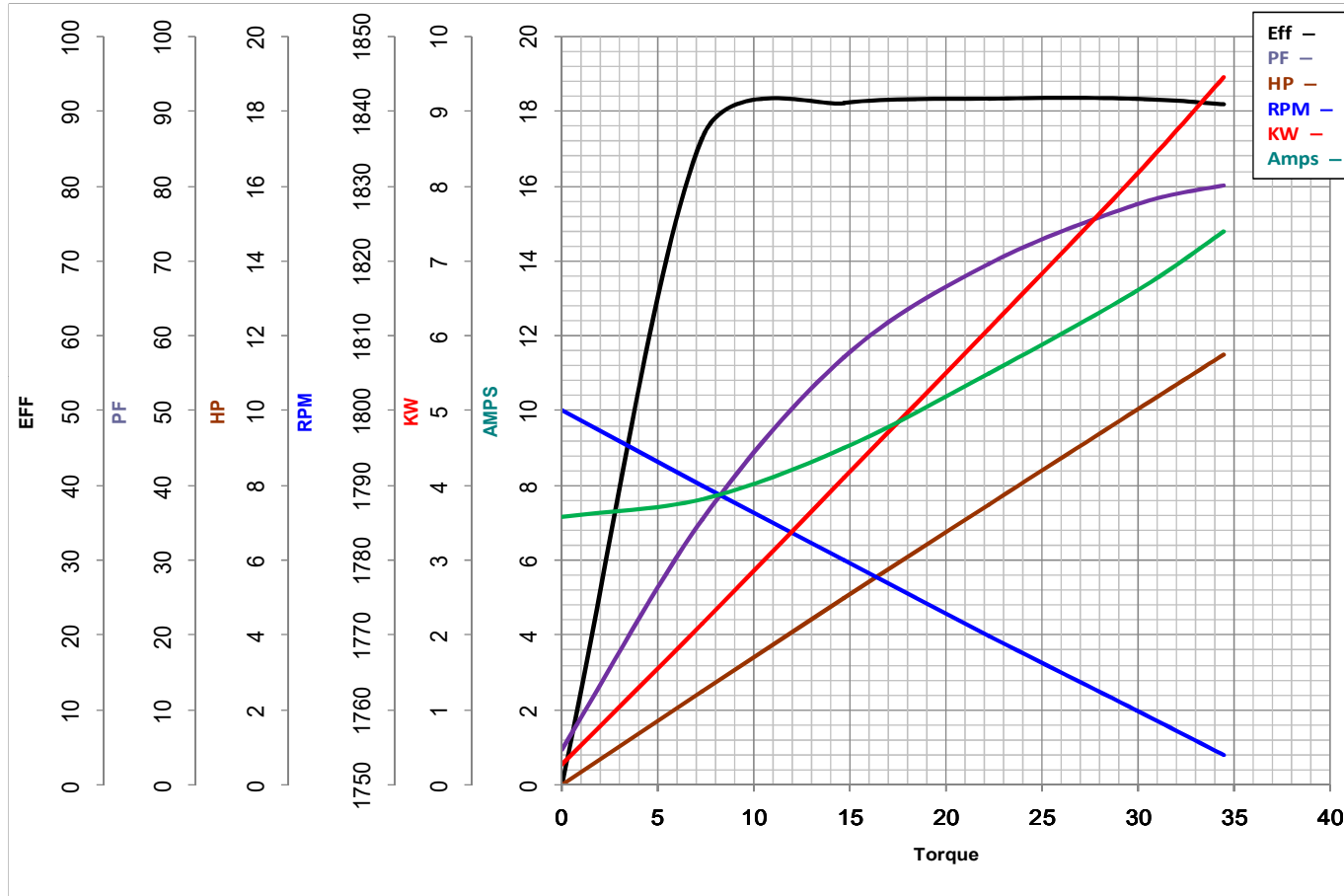
**LEESON ELECTRIC CORPORATION**  
 TYPICAL PERFORMANCE CURVE for AC MOTOR

Model No 141346.00

Curve at 460 Volts      HP 10&7.5      PHASE 3  
60 HZ  
10 HP      VOLTS 230/460&190/380

Catalog No 141346.00

HZ 60&50      RPM 1760&1475



Torque in Lb.Ft

FL TORQUE 29.9 Lb.Ft  
 BD TORQUE 90.0 Lb.Ft  
 LR TORQUE 76 Lb.Ft

FL AMPS 26.4/13.2  
 PU TORQUE 70.0 Lb.Ft  
 LR AMPS 81

WINDING K2154513-3

Date 11/13/2018