

PRODUCT INFORMATION PACKET



Model No: 141309.00

Catalog No: 141309.00

Brake Motor, 10 & 7.50 HP, 3 Ph, 60 & 50 Hz, 230/460 & 190/380 V, 1800 & 1500 RPM, 215TC Frame,
TEFC



Regal and Leeson are trademarks of Regal Rexnord Corporation or one of its affiliated companies.

©2023 Regal Rexnord Corporation, All Rights Reserved. MC017097E



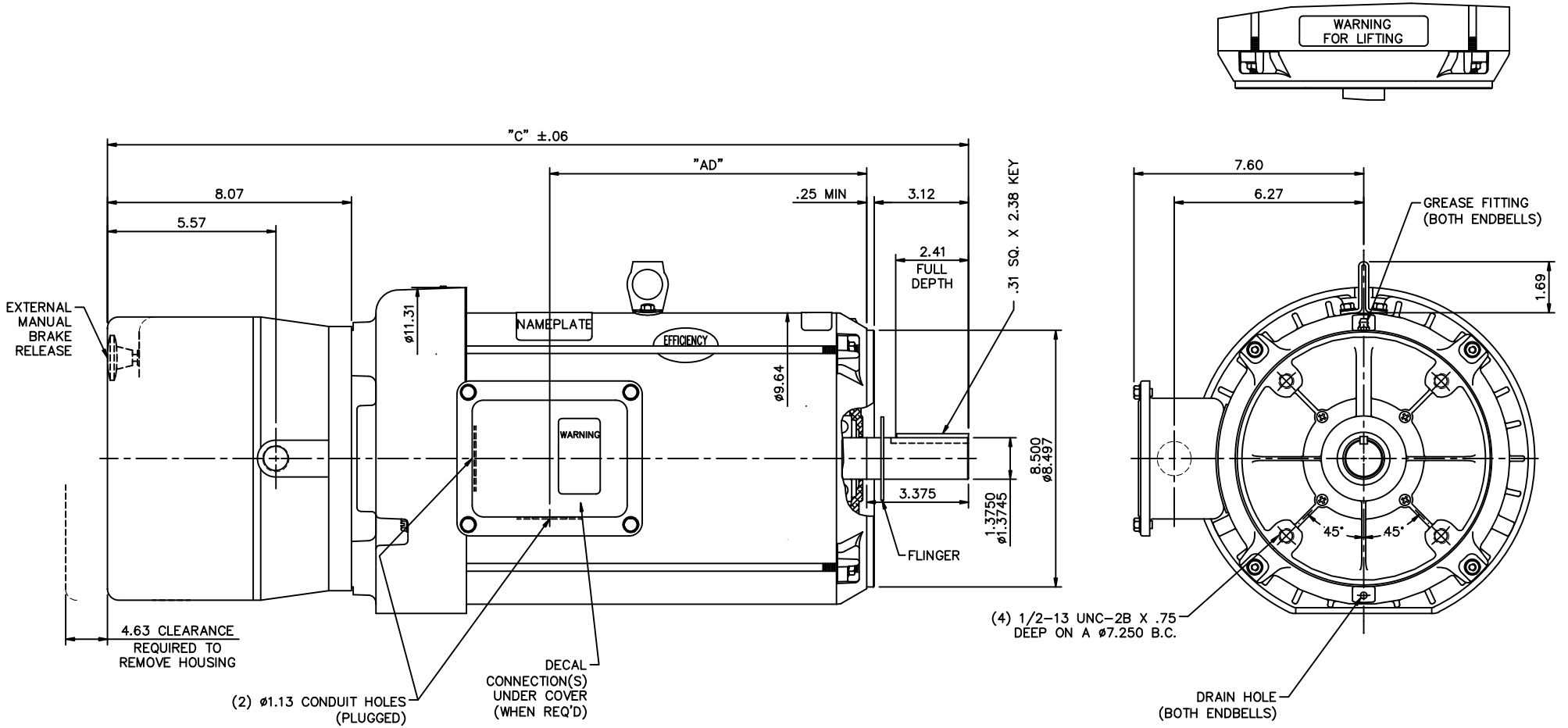


Nameplate Specifications

Phase	3	Output HP	10 & 7.50 Hp
Output KW	7.5 & 5.6 kW	Voltage	230/460 & 190/380 V
Speed	1765 & 1460 rpm	Service Factor	1.15 & 1.15
Frame	215TC	Enclosure	Totally Enclosed Fan Cooled
Thermal Protection	No Protection	Efficiency	91.7 & 91.7 %
Ambient Temperature	40 °C	Frequency	60 & 50 Hz
Current	26.8/13.4 & 31.2/15.6 A	Power Factor	77
Duty	Continuous	Insulation Class	F
Design Code	B	KVA Code	H
Drive End Bearing Size	6207	Opp Drive End Bearing Size	6206
UL	Recognized	CSA	Y
CE	Y	IP Code	43
Number of Speeds	1		

Technical Specifications

Electrical Type	Squirrel Cage Induction Run	Starting Method	Across The Line
Poles	4	Rotation	Reversible
Resistance Main	.755 Ohms	Mounting	Round
Motor Orientation	Horizontal	Drive End Bearing	Ball
Opp Drive End Bearing	Ball	Frame Material	Rolled Steel
Shaft Type	T	Overall Length	29.00 in
Frame Length	13.00 in	Shaft Diameter	1.375 in
Shaft Extension	3.38 in	Assembly/Box Mounting	F1 ONLY
Outline Drawing	037631-1300	Connection Drawing	005010.15



GASKETS THROUGHOUT
 MAXIMUM FACE RUNOUT TO BE .004 T.I.R.
 MAXIMUM PILOT ECCENTRICITY TO BE .004 T.I.R.
 PERMISSIBLE SHAFT RUNOUT TO BE .002 T.I.R.

DASH NO.	"C"	"AD"
1100	27.00	9.25
1150	27.50	9.75
1200	28.00	10.25
1250	28.50	10.75
1300	29.00	11.25
1350	29.50	11.75
1400	30.00	12.25

NO.		REVISION	BY & DATE	CHK	ANG	±1/2"	FINISH	TITLE		SIZE	DRAWING NO.	REV.
THIS DRAWING IN DESIGN AND DETAIL IS OUR PROPERTY AND MUST NOT BE USED EXCEPT IN CONNECTION WITH OUR WORK ALL RIGHTS OF DESIGN AND INVENTION ARE RESERVED THIS IS AN ELECTRONICALLY GENERATED DOCUMENT - DO NOT SCALE THIS PRINT				RFP	6/22/05	CAD FILE	037631	B	037631	B	037631	
				DIST	NLV			ELECTRIC MOTORS GEARMOTORS AND DRIVES		SCALE	5=16	
								OUTLINE - 210TC FRAME TEFC - "C" FACE		APPD	SW 6/22/05	
								BRAKE MOTOR		REF	FMF 140637	
								LEESON		PREV		
								DRAWN RDW 6/22/05				
								ELECTRIC MOTORS GEARMOTORS AND DRIVES				
								TITLE				
								BRAKE MOTOR				
								OUTLINE - 210TC FRAME TEFC - "C" FACE				
								BRAKE MOTOR				
								LEESON				
								ELECTRIC MOTORS GEARMOTORS AND DRIVES				
								TITLE				
								OUTLINE - 210TC FRAME TEFC - "C" FACE				
								BRAKE MOTOR				
								LEESON				
								ELECTRIC MOTORS GEARMOTORS AND DRIVES				
								TITLE				
								OUTLINE - 210TC FRAME TEFC - "C" FACE				
								BRAKE MOTOR				
								LEESON				
								ELECTRIC MOTORS GEARMOTORS AND DRIVES				
								TITLE				
								OUTLINE - 210TC FRAME TEFC - "C" FACE				
								BRAKE MOTOR				
								LEESON				
								ELECTRIC MOTORS GEARMOTORS AND DRIVES				
								TITLE				
								OUTLINE - 210TC FRAME TEFC - "C" FACE				
								BRAKE MOTOR				
								LEESON				
								ELECTRIC MOTORS GEARMOTORS AND DRIVES				
								TITLE				
								OUTLINE - 210TC FRAME TEFC - "C" FACE				
								BRAKE MOTOR				
								LEESON				
								ELECTRIC MOTORS GEARMOTORS AND DRIVES				
								TITLE				
								OUTLINE - 210TC FRAME TEFC - "C" FACE				
								BRAKE MOTOR				
								LEESON				
								ELECTRIC MOTORS GEARMOTORS AND DRIVES				
								TITLE				
								OUTLINE - 210TC FRAME TEFC - "C" FACE				
								BRAKE MOTOR				
								LEESON				
								ELECTRIC MOTORS GEARMOTORS AND DRIVES				
								TITLE				
								OUTLINE - 210TC FRAME TEFC - "C" FACE				
								BRAKE MOTOR				
								LEESON				
								ELECTRIC MOTORS GEARMOTORS AND DRIVES				
								TITLE				
								OUTLINE - 210TC FRAME TEFC - "C" FACE				
								BRAKE MOTOR				
								LEESON				
								ELECTRIC MOTORS GEARMOTORS AND DRIVES				
								TITLE				
								OUTLINE - 210TC FRAME TEFC - "C" FACE				
								BRAKE MOTOR				
								LEESON				
								ELECTRIC MOTORS GEARMOTORS AND DRIVES				
								TITLE				
								OUTLINE - 210TC FRAME TEFC - "C" FACE				
								BRAKE MOTOR				
								LEESON				
								ELECTRIC MOTORS GEARMOTORS AND DRIVES				
								TITLE				
								OUTLINE - 210TC FRAME TEFC - "C" FACE				
								BRAKE MOTOR				
								LEESON				
								ELECTRIC MOTORS GEARMOTORS AND DRIVES				
								TITLE				
								OUTLINE - 210TC FRAME TEFC - "C" FACE				
								BRAKE MOTOR				
								LEESON				
								ELECTRIC MOTORS GEARMOTORS AND DRIVES				
								TITLE				
								OUTLINE - 210TC FRAME TEFC - "C" FACE				
								BRAKE MOTOR				
								LEESON				
								ELECTRIC MOTORS GEARMOTORS AND DRIVES				
								TITLE				
								OUTLINE - 210TC FRAME TEFC - "C" FACE				
								BRAKE MOTOR				
								LEESON				
								ELECTRIC MOTORS GEARMOTORS AND DRIVES				
								TITLE				
								OUTLINE - 210TC FRAME TEFC - "C" FACE				
								BRAKE MOTOR				
								LEESON				
								ELECTRIC MOTORS GEARMOTORS AND DRIVES				
								TITLE				
								OUTLINE - 210TC FRAME TEFC - "C" FACE				
								BRAKE MOTOR				
								LEESON				
								ELECTRIC MOTORS GEARMOTORS AND DRIVES				
								TITLE				
								OUTLINE - 210TC FRAME TEFC - "C" FACE				
								BRAKE MOTOR				
								LEESON				
								ELECTRIC MOTORS GEARMOTORS AND DRIVES				
								TITLE				
								OUTLINE - 210TC FRAME TEFC - "C" FACE				
								BRAKE MOTOR				
								LEESON				
								ELECTRIC MOTORS GEARMOTORS AND DRIVES				
								TITLE				
								OUTLINE - 210TC FRAME TEFC - "C" FACE				
								BRAKE MOTOR				
								LEESON				
								ELECTRIC MOTORS GEARMOTORS AND DRIVES				
								TITLE				
								OUTLINE - 210TC FRAME TEFC - "C" FACE				
								BRAKE MOTOR				
								LEESON				
								ELECTRIC MOTORS GEARMOTORS AND DRIVES				
								TITLE				
								OUTLINE - 210TC FRAME TEFC - "C" FACE				
								BRAKE MOTOR				
								LEESON				
								ELECTRIC MOTORS GEARMOTORS AND DRIVES				
								TITLE				
								OUTLINE - 210TC FRAME TEFC - "C" FACE				
								BRAKE MOTOR				
								LEESON				
								ELECTRIC MOTORS GEARMOTORS AND DRIVES				
								TITLE				
								OUTLINE - 210TC FRAME TEFC - "C" FACE				
								BRAKE MOTOR				
								LEESON				
								ELECTRIC MOTORS GEARMOTORS AND DRIVES				
								TITLE				
								OUTLINE - 210TC FRAME TEFC - "C" FACE				
								BRAKE MOTOR				
								LEESON				
								ELECTRIC MOTORS GEARMOTORS AND DRIVES				
								TITLE				
								OUTLINE - 210TC FRAME TEFC - "C" FACE				
								BRAKE MOTOR				
								LEESON				
								ELECTRIC MOTORS GEARMOTORS AND DRIVES				
								TITLE				
								OUTLINE - 210TC FRAME TEFC - "C" FACE				
								BRAKE MOTOR				
								LEESON				
								ELECTRIC MOTORS GEARMOTORS AND DRIVES				
								TITLE				
								OUTLINE - 210TC FRAME TEFC - "C" FACE				
								BRAKE MOTOR				
								LEESON				
								ELECTRIC MOTORS GEARMOTORS AND DRIVES				
								TITLE				
								OUTLINE - 210TC FRAME TEFC - "C" FACE				
								BRAKE MOTOR				
								LEESON				
								ELECTRIC MOTORS GEARMOTORS AND DRIVES				
								TITLE				
								OUTLINE - 210TC FRAME TEFC - "C" FACE				
								BRAKE MOTOR				
								LEESON				
								ELECTRIC MOTORS GEARMOTORS AND DRIVES				
								TITLE				
								OUTLINE - 210TC FRAME TEFC - "C" FACE				
								BRAKE MOTOR				

VIEW FROM OUTSIDE OF MOTOR AT SWITCH END.

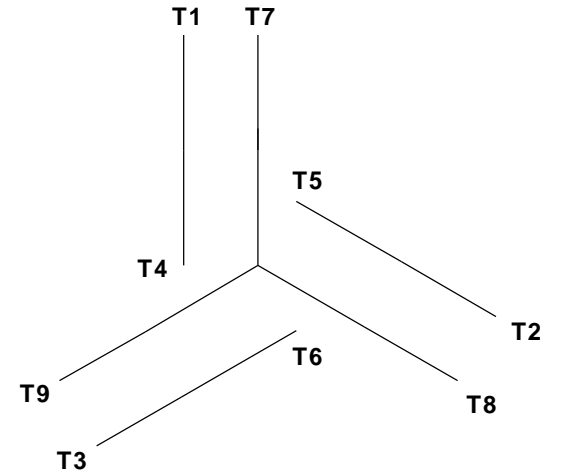


CAUTION:
LEAD WIRE INSULATION TO EXTEND
MINIMUM OF 1/4" INTO CONNECTOR
INSULATION

SEE TABLE FOR
 BRAKE CONNECTIONS

REF. DECAL (MOTOR) - 004014
 REF. DECAL (BRAKE) - 080034 (STEARNS & DINGS BRAKE)

LINE LEADS



VOLTAGE	L1	L2	L3	JOIN & INSULATE
HIGH	T1	T2	T3	(T4, T7) (T5, T8) (T6, T9)
LOW	T1, T7	T2, T8	T3, T9	T4, T5, T6

RBC PROPRIETARY AND CONFIDENTIAL INFORMATION
 This document is the property of REGAL BELOIT CORPORATION ("RBC") including its subsidiaries and divisions and contains proprietary information of RBC. This document is loaned on the express condition that neither it nor the information contained therein shall be disclosed to others without the express written consent of RBC, and that the information shall be used by the recipient only as approved expressly by RBC. This document shall be returned to RBC upon its request. This document may be subject to certain restrictions under U.S. export control laws and regulations.

TYPE "T" W/O PROTECTOR

VOLTAGE	BRAKE CONNECTION					
	STEARNS BRAKE			DINGS BRAKE		
	L1	L2	Join	L1	L2	Join
HIGH	1(RED)	2(RED)	3(BLACK) 4(BLACK)	2(BLACK)	4(YELLOW)	1(YELLOW) 3(BLACK)
LOW	1(RED) 3(BLACK)	2(RED) 4(BLACK)	-----	2(BLACK) 3(BLACK)	1(YELLOW) 4(YELLOW)	-----

				TOLERANCES UNLESS SPECIFIED		ELECTRIC MOTORS GEARMOTORS AND DRIVES	DRAWN JJK 09/17/96	
				DEC	INCHES		CHK	
				.X	±.1	APPR		
				.XX	±.01	SCALE 1:1		
--	REDRAWN IN SOLIDWORKS	VJB 02/08/11	.XXX	±.005	TITLE EXTERNAL WIRING DIAGRAM STANDARD 3 PHASE - DUAL VOLTAGE		REF 005010-01	
01	ADDED DINGS AND BRAKE TABLE (PER CN114156)	TMZ 11/12/96	.XXXX	±.0005	MAT'L W/STEARNS OR DINGS DUAL VOLTAGE BRAKE CONN.		FMF	
NO	REVISION	BY & DATE	CHK	ANG	±1/2°	FINISH LEESON STOCK		PAGE OF
THIRD ANGLE PROJECTION				RFP	PREV	SIZE	DRAWING NO	REV
				NETWORK FILE NAME 00501015		A	005010-15	--



CERTIFICATION DATA SHEET

**1051 CHEYENNE AVE.
GRAFTON, WI 53024
PH. 262-377-8810**

CATALOG #: 141309.00

CONN. DIAGRAM: 005010.15

OUTLINE: 037631-1300

MOUNTING: F1 ONLY

WINDING #: T9497 FR 3 A

TYPICAL MOTOR PERFORMANCE DATA

HP	kW	SYNC. RPM	F.L. RPM	FRAME	ENCLOSURE	KVA CODE	DESIGN
10&7 1/2	7.50&5.60	1800	1765&1460	215TC	TEFC	H	B

PH	Hz	VOLTS	AMPS	START TYPE	DUTY	INSL	S.F.	AMB°C
3	60/50	230/460&190/380	28.8-26.8/13.4&31.2/15.6	ACROSS THE LINE	CONTINUOUS	F4	1.15/1.15	40

FULL LOAD EFF:	91.7&91.7	3/4 LOAD EFF:	91.7	1/2 LOAD EFF:	90.6	GTD. EFF		ELEC. TYPE	
FULL LOAD PF:	77&79	3/4 LOAD PF:	71.7	1/2 LOAD PF:	60.1	0		SQ CAGE IND RUN	

F.L. TORQUE	LOCKED ROTOR AMPS	L,R. TORQUE	B,D. TORQUE	F.L. RISE°C
29.75 LB-FT	158 / 79	55.2 LB-FT 186 %	90 LB-FT 303 %	0

SOUND PRESSURE @ 3 FT.	SOUND POWER	ROTOR WK^2	MAX. WK^2	SAFE STALL TIME	STARTS / HOUR	APPROX. MOTOR WGT
0 dBA	10 dBA	1.16 LB-FT^2	1.2 LB-FT^2	0 SEC.	0	0 LBS.

***** SUPPLEMENTAL INFORMATION *****

DE BRACKET TYPE	ODE BRACKET TYPE	MOUNT TYPE	ORIENTATION	SEVERE DUTY	HAZARDOUS LOCATION	DRIP COVER	SCREENS	PAINT
C-FACE	BRAKE	ROUND	HORIZONTAL	FALSE	NONE	FALSE	NONE	GREEN - LEESON WATTS AVER

BEARINGS		GREASE	SHAFT TYPE	SPECIAL DE	SPECIAL ODE	SHAFT MATERIAL	FRAME MATERIAL
DE	ODE						
BALL	BALL	POLYREX EM	T	NONE	NONE	NONE	ROLLED STEEL
6207	6206						

THERMO-PROTECTORS				THERMISTORS	CONTROL	SPACE HEATERS
THERMOSTATS	PROTECTORS	WDG RTDs	BRG RTDs			
NONE	NOT	NONE	NONE	NONE	FALSE	NONE VOLTS

* N O T E S	INVERTER TORQUE: NONE
	INV. HP SPEED RANGE: NONE
	ENCODER: NONE NONE NONE NONE NONE PPR
	BRAKE: NONE NONE STEARNS P/N 004202.05 87,000 NONE 50 FT-LB 230/460-190/380 V 60/50 Hz

Data Sheet

Date: 1/19/2018

141309.00



Data @ 460 V

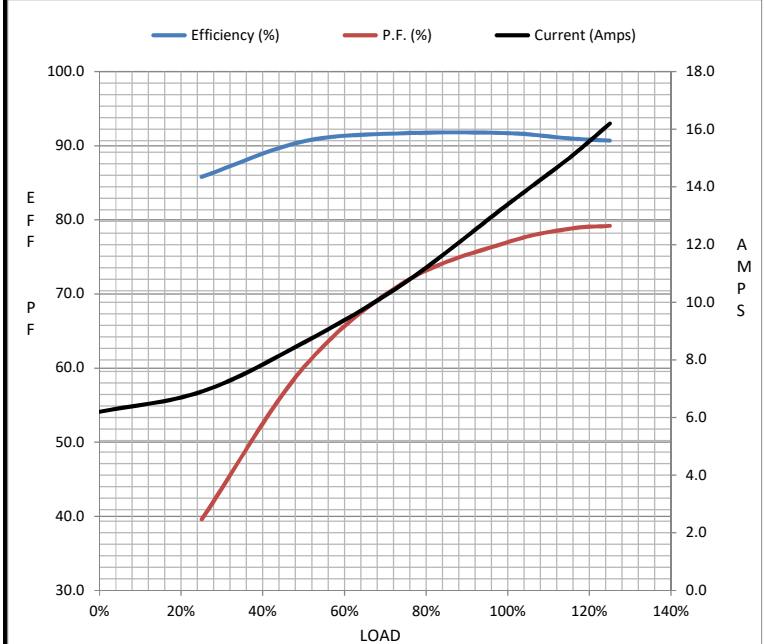
Motor Load Data

Load	0%	25%	50%	75%	100%	115%	125%	LR
Current (Amps)	6.2	6.9	8.6	10.7	13.4	15.0	16.2	79.0
Torque (ft-lb)	0.00	7.4	17.4	22.2	29.8	34.2	37.4	55.2
RPM	1800	1793	1784	1774	1765	1758	1754	0
Efficiency (%)		85.8	90.6	91.7	91.7	91.0	90.7	
P.F. (%)	6.1	39.6	60.1	71.7	77.0	78.8	79.2	0.0

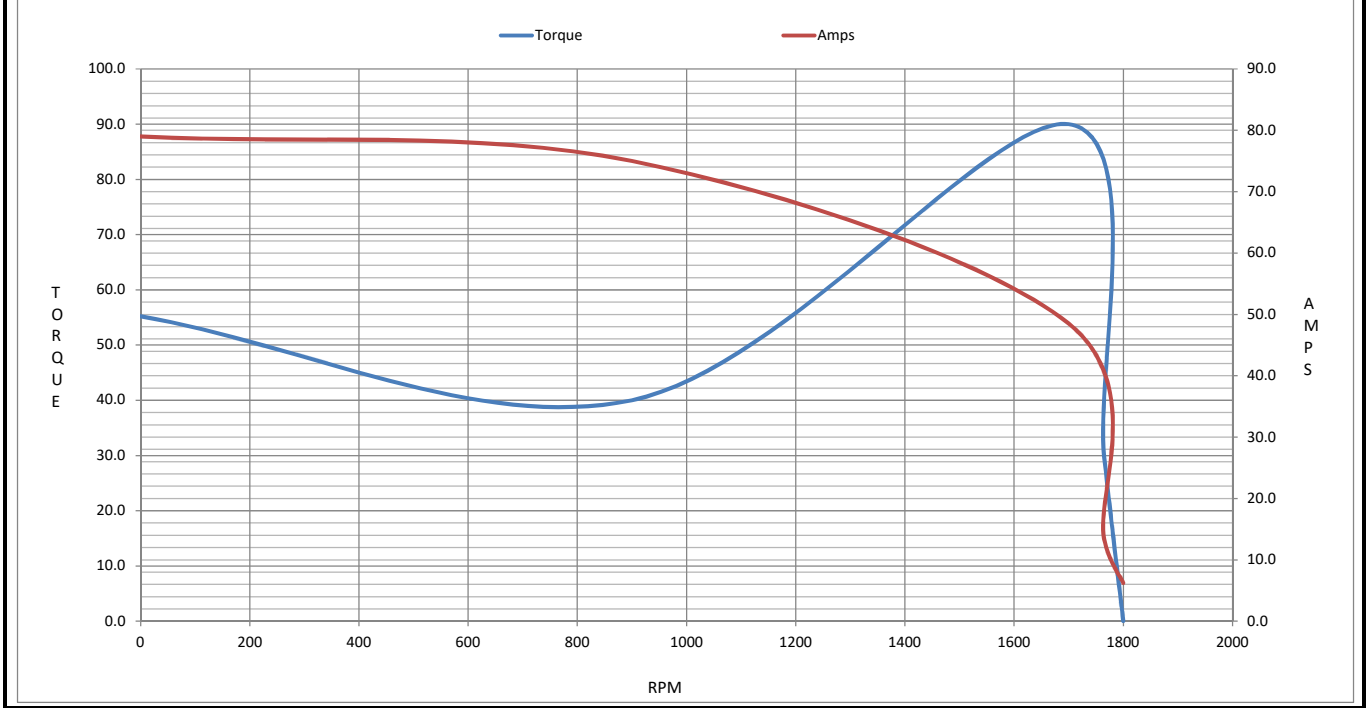
Motor Speed Data

	LR	Pull-Up	BD	Rated	Idle
Speed (RPM)	0	900	1700	1765	1800
Current (Amps)	79.0	75.0	48.5	13.4	6.2
Torque (ft-lb)	55.2	40.0	90.0	29.8	0.00

Information Block				
HP	10.0			
Sync. RPM	1800			
Frame	210			
Enclosure	TEFC			
Construction	TFW			
Voltage	230/460#190/380 V			
Frequency	60 Hz			
Design	B			
LR Code letter	H			
Service Factor	1.15			
Temp Rise @ FL	55 °C			
Duty	CONT			
Ambient	40 °C			
Elevation	1,000 feet			
Rotor/Shaft wk ²	1.16 Lb-Ft ²			
Ref Wdg	T9497 FR			
Sound Pressure @ 1M	62 dBA			
VFD Rating	NONE			
Outline Dwg	037631-1300			
Conn. Diag	005010.15			
Additional Specifications:				
0				
0				
EQUIV CKT (OHMS / PHASE)				
R1	R2	X1	X2	Xm
0.0000	0.0000	0.0000	0.0000	0.0000



Speed - Torque Curve



EC Declaration of Conformity

The undersigned representing
the manufacturer:

Regal Beloit America
100 East Randolph St.
Wausau, WI 54401

and the authorized representative
established within the Community:

Marathon Electric UK
6F Thistleton Road Ind. Estate
Market Overton
Oakham, Rutland LE15 7PP UK

are committed to providing customers with products that comply with applicable regulations and international protocols to which they are subject, including the requirements of the European Parliament Directive on the Harmonization of the laws relating to electrical equipment designed for use within certain voltage limits (2014/35/EU).

Regal Beloit America declares that the following product(s), to which this declaration relates, are in conformity with the relevant sections of the EC standards listed below.

This statement supersedes any statements previously issued pertaining to the product(s) listed below and is subject to change without notice.

Model No : 141309.00

(Model No. may contain prefix and/or suffix characters)

Catalog No : 141309.00

Rework No : N/A

Directives :

Low Voltage Directive 2014/35/EU

Harmonized Standards Used :

EN 60034-1: 2010 (IEC 60034-1: 2010)

EN 60034-5: 2001/A1:2007 (IEC 60034-5: 2000/A1:2006)

Authorized Representative:



Michael A. Logsdon
Vice President, Technology

Authorized Representative in the Community:



Julian Clark
Marketing Engineer

Created on 09/01/2022

CE 22