

PRODUCT INFORMATION PACKET



Model No: 141274.00

Catalog No: 141274.00

Premium Duck™ Washdown Pump Motor, 7.50 & 5 HP, 3 Ph, 60 & 50 Hz, 230/460 & 190/380 V,
3600 & 3000 RPM, 213JM Frame, TEFC



Regal and Leeson are trademarks of Regal Rexnord Corporation or one of its affiliated companies.

©2023 Regal Rexnord Corporation, All Rights Reserved. MC017097E



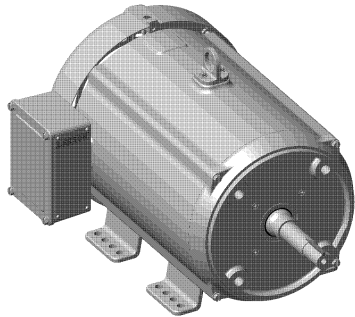
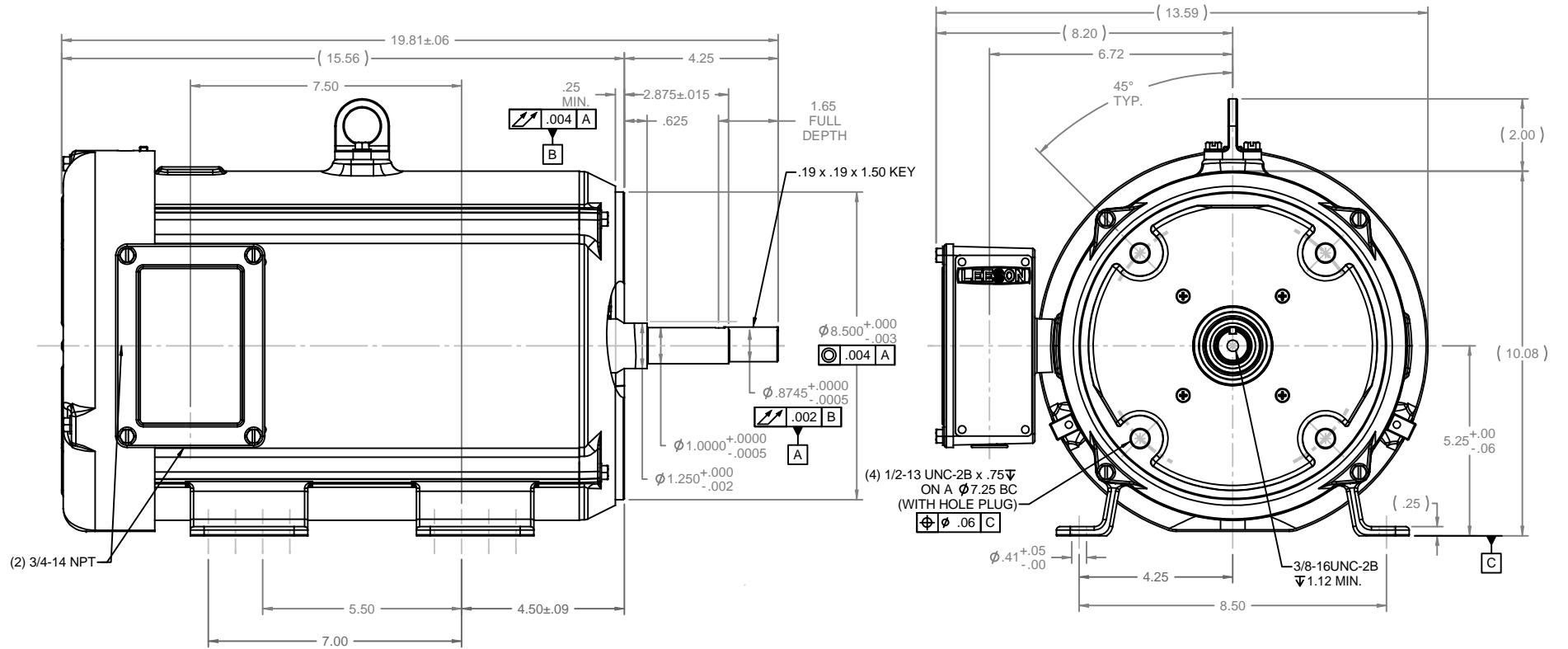


Nameplate Specifications


Phase	3	Output HP	7.50 & 5 Hp
Output KW	5.6 & 3.7 kW	Voltage	230/460 & 190/380 V
Speed	3525 & 2945 rpm	Service Factor	1.15 & 1.15
Frame	213JM	Enclosure	Totally Enclosed Fan Cooled
Thermal Protection	No Protection	Efficiency	89.5 & 88.5 %
Ambient Temperature	40 °C	Frequency	60 & 50 Hz
Current	18.6/9.3 & 16/8 A	Power Factor	84.6
Duty	Continuous	Insulation Class	F
Design Code	B	KVA Code	H
Drive End Bearing Size	6209	Opp Drive End Bearing Size	6207
UL	Recognized	CSA	Y
CE	Y	IP Code	56
Number of Speeds	1		

Technical Specifications

Electrical Type	Squirrel Cage Inverter Rated	Starting Method	Line Or Inverter
Poles	2	Rotation	Reversible
Resistance Main	.1725 Ohms	Mounting	Rigid Base
Motor Orientation	Horizontal	Drive End Bearing	Ball
Opp Drive End Bearing	Ball	Frame Material	Stainless Steel
Shaft Type	JM	Overall Length	19.81 in
Frame Length	12.00 in	Shaft Diameter	0.875 in
Shaft Extension	4.21 in	Assembly/Box Mounting	F1 ONLY
Inverter Load	CONSTANT 3:1		
Outline Drawing	037618	Connection Drawing	005010.01

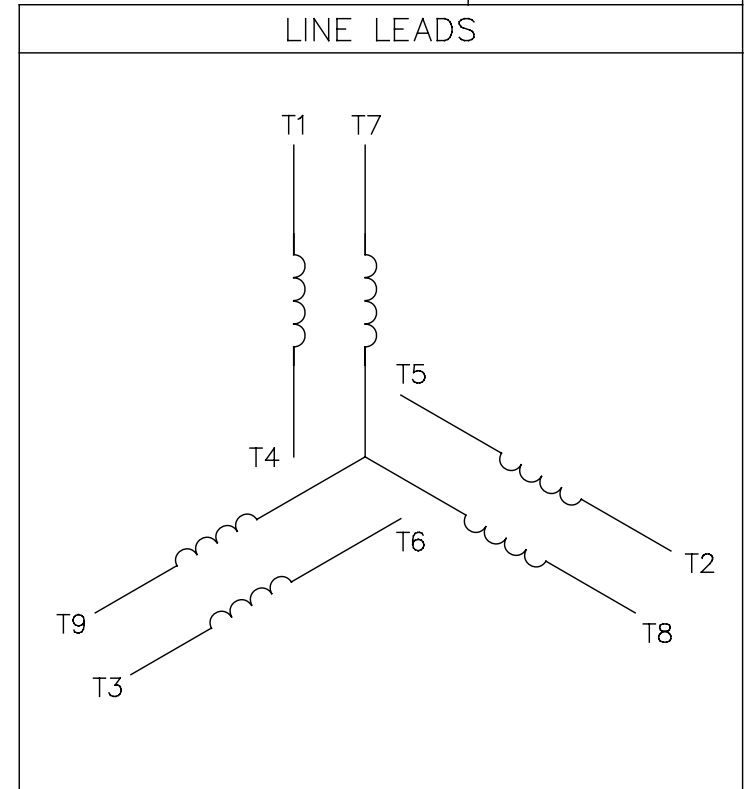


ISOMETRIC VIEW
SCALE 1=6

		TOLERANCES UNLESS SPECIFIED			ELECTRIC MOTORS GEARMOTORS AND DRIVES	DRAWN JJK 07/21/04
		DEC	INCHES			CHK
		X	±.1			APPR
		.XX	±.03		TITLE OUTLINE - 210TC FRAME	SCALE 3:8
		.XXX	±.005		TEFC - RIGID "C" - JM PUMP	REF 037616
		.XXXX	±.0005		MATL WASHGUARD ALL STAINLESS STEEL MOTOR	FMF
NO	REVISION	BY & DATE	CHK ANG ±1/2°	FINISH		PREV
THIS DRAWING IN DESIGN AND DETAIL IS OUR PROPERTY AND MUST NOT BE USED EXCEPT IN CONNECTION WITH OUR WORK. ALL RIGHTS OF DESIGN AND INVENTION ARE RESERVED. THIS IS AN ELECTRONICALLY GENERATED DOCUMENT - DO NOT SCALE THIS PRINT				RFP	CAD FILE 037618	SIZE B
				DIST NLV		DRAWING NO 037618
						REV

005010-01

VIEW FROM OUTSIDE OF MOTOR AT SWITCH END.



VOLTAGE	L1	L2	L3	JOIN & INSULATE
HIGH	T1	T2	T3	(T4,T7) (T5,T8) (T6,T9)
LOW	T1,T7	T2,T8	T3,T9	T4,T5,T6

		TOLERANCES UNLESS SPECIFIED		Regal Beloit America, Inc.		DRAWN RDW 04/12/02				
		DEC.	INCHES			CHK				
		.X	±.1	TITLE EXTERNAL WIRING DIAGRAM 3 PHASE W/O PROTECTOR		APPD				
		.XX	±.01			SCALE 1=1				
		.XXX	±.005			REF FIG.2-51				
A	UPDATED TO REGAL LOGO	SAJ	06/26/15	AJY	.XXXX ±.0005	MAT'L. DECAL - 004014				
NO.	REVISION	BY & DATE	CHK	ANG	±1/2"	FINISH				
THIS DRAWING IN DESIGN AND DETAIL IS OUR PROPERTY AND MUST NOT BE USED EXCEPT IN CONNECTION WITH OUR WORK ALL RIGHTS OF DESIGN AND INVENTION ARE RESERVED THIS IS AN ELECTRONICALLY GENERATED DOCUMENT - DO NOT SCALE THIS PRINT				RFP	04/12/02	CAD FILE	00501001	SIZE	DRAWING NO.	REV.
				DIST	BRF-NLV			A	005010-01	A

Data Sheet

Date: 1/31/2018

141274.00



Data @ 460 V

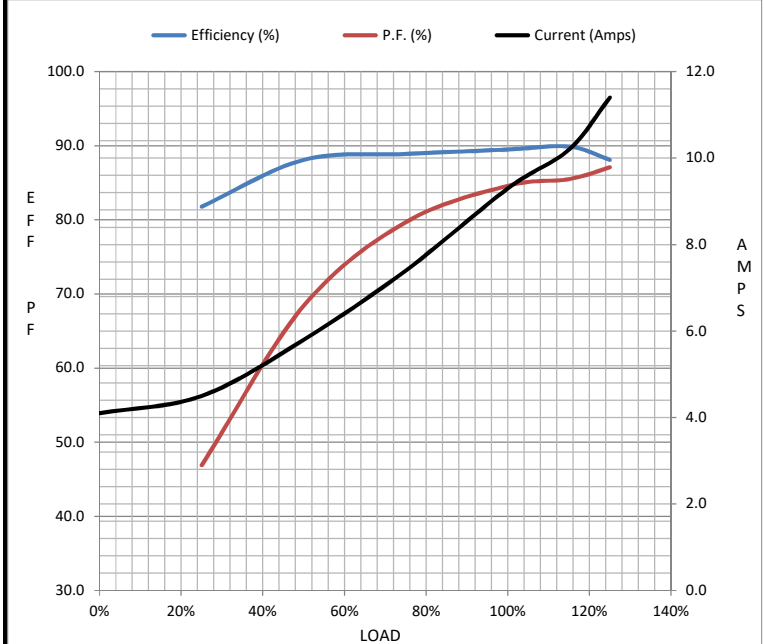
Motor Load Data

Load	0%	25%	50%	75%	100%	115%	125%	LR
Current (Amps)	4.1	4.5	5.8	7.4	9.3	10.2	11.4	63.0
Torque (ft-lb)	0.00	2.70	5.5	8.3	11.2	12.5	14.0	19.3
RPM	3600	3585	3565	3545	3525	3,520	3505	0
Efficiency (%)		81.8	88.1	88.9	89.5	89.9	88.1	
P.F. (%)	8.0	46.9	68.4	79.7	84.6	85.5	87.1	0.0

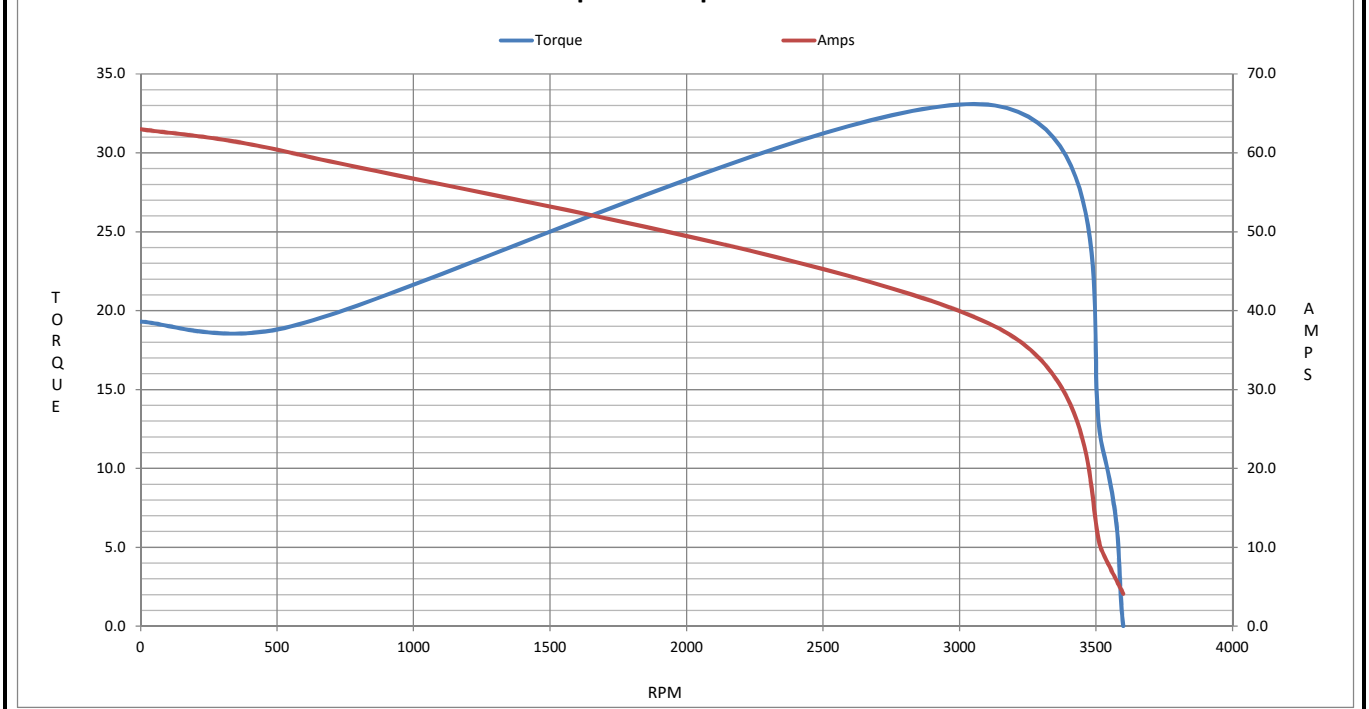
Motor Speed Data

	LR	Pull-Up	BD	Rated	Idle
Speed (RPM)	0	552	3130	3525	3600
Current (Amps)	63.0	60.0	38.0	9.3	4.1
Torque (ft-lb)	19.3	19.0	33.0	11.2	0.00

Information Block				
HP	7.5			
Sync. RPM	3600			
Frame	213			
Enclosure	TEFC			
Construction	TFW			
Voltage	230/460#190/380 V			
Frequency	60 Hz			
Design	B			
LR Code letter	H			
Service Factor	1.15			
Temp Rise @ FL	55 °C			
Duty	CONT			
Ambient	40 °C			
Elevation	1,000 feet			
Rotor/Shaft wk ²	0.55 Lb-Ft ²			
Ref Wdg	K2132124 NONE			
Sound Pressure @ 1M	72 dBA			
VFD Rating	CONSTANT 3:1			
Outline Dwg	037618-1200			
Conn. Diag	005010.01			
Additional Specifications:				
0				
0				
EQUIV CKT (OHMS / PHASE)				
R1	R2	X1	X2	Xm
1.0550	0.5750	2.5440	1.4140	56.7000



Speed - Torque Curve



EC Declaration of Conformity

The undersigned representing
the manufacturer:

Regal Beloit America
100 East Randolph St.
Wausau, WI 54401

and the authorized representative
established within the Community:

Marathon Electric UK
6F Thistleton Road Ind. Estate
Market Overton
Oakham, Rutland LE15 7PP UK

are committed to providing customers with products that comply with applicable regulations and international protocols to which they are subject, including the requirements of the European Parliament Directive on the Harmonization of the laws relating to electrical equipment designed for use within certain voltage limits (2014/35/EU).

Regal Beloit America declares that the following product(s), to which this declaration relates, are in conformity with the relevant sections of the EC standards listed below.

This statement supersedes any statements previously issued pertaining to the product(s) listed below and is subject to change without notice.

Model No : 141274.00

(Model No. may contain prefix and/or suffix characters)

Catalog No : 141274.00

Rework No : N/A

Directives :

Low Voltage Directive 2014/35/EU

Harmonized Standards Used :

EN 60034-1: 2010 (IEC 60034-1: 2010)

EN 60034-5: 2001/A1:2007 (IEC 60034-5: 2000/A1:2006)

Authorized Representative:



Michael A. Logsdon
Vice President, Technology

Authorized Representative in the Community:



Julian Clark
Marketing Engineer

Created on 09/01/2022

CE 22