

PRODUCT INFORMATION PACKET

Model No: 141230.00

Catalog No: 141230.00

..10HP..3515RPM.213TDZ.DP.230/460VAC.3PH.60HZ.CONT.40C.1.15SF.D-FLANGE.....

Regal and are trademarks of Regal Rexnord Corporation or one of its affiliated companies.
©2022 Regal Rexnord Corporation, All Rights Reserved. MC017097E



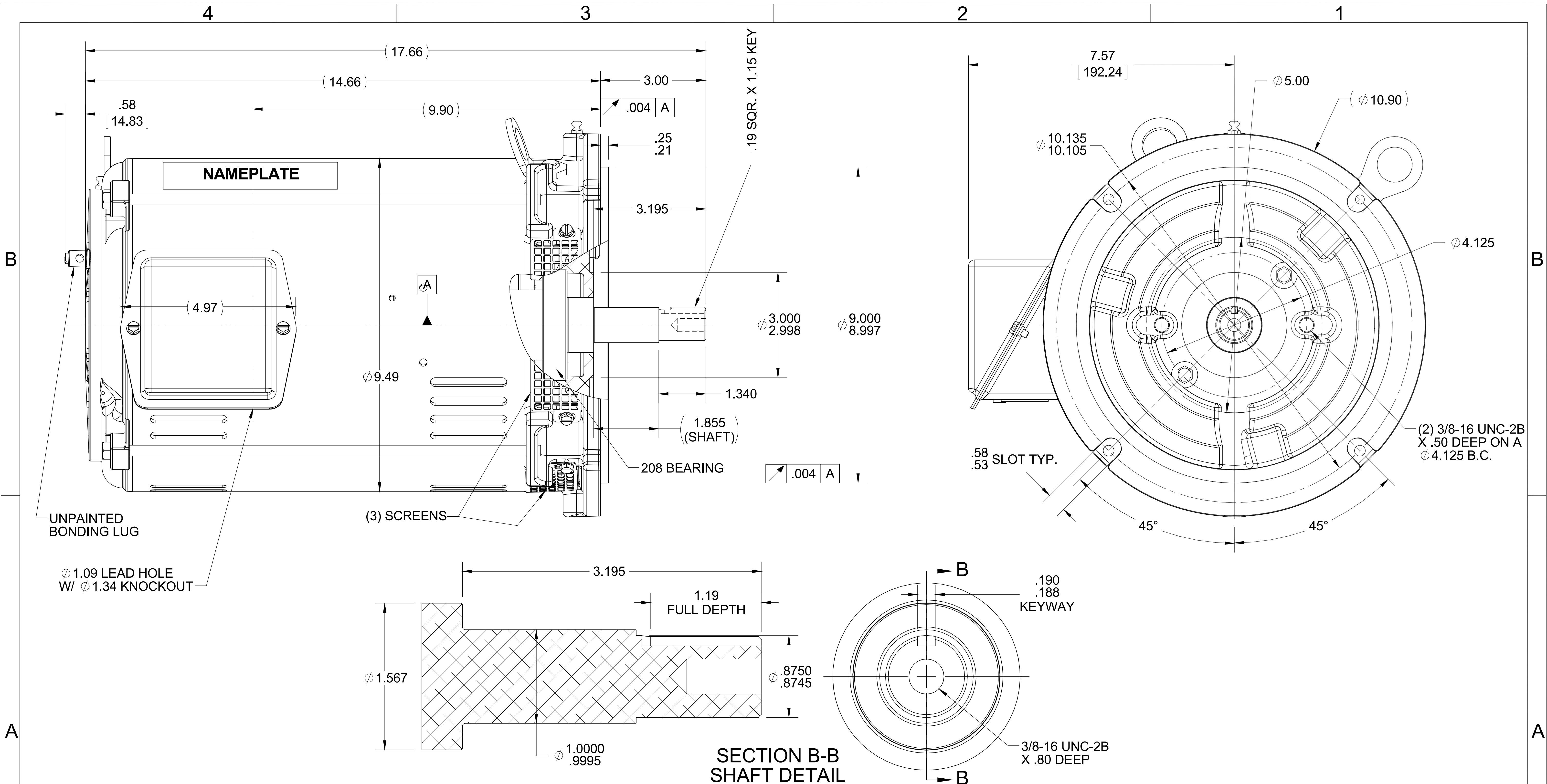
Nameplate Specifications

Output HP	10 Hp	Output KW	7.5 kW
Frequency	60 Hz	Voltage	230/460 V
Current	23.4/11.7 A	Speed	3515 rpm
Service Factor	1.15	Phase	3
Efficiency	88.5 %	Power Factor	90
Duty	Continuous	Insulation Class	F
Design Code	B	KVA Code	H
Frame	213TDZ	Enclosure	Drip Proof
Thermal Protection	No Protection	Ambient Temperature	40 °C
Drive End Bearing Size	6208	Opp Drive End Bearing Size	6206
UL	Recognized	CSA	Y
CE	Y	IP Code	22
Number of Speeds	1		

Technical Specifications

Electrical Type	Squirrel Cage Induction Run	Starting Method	Across The Line
Poles	2	Rotation	Reversible
Resistance Main	1.1 Ohms	Mounting	Round
Motor Orientation	Horizontal	Drive End Bearing	Ball
Opp Drive End Bearing	Ball	Frame Material	Rolled Steel
Shaft Type	Single Special Extension	Shaft Diameter	1.000 in
Assembly/Box Mounting	F1/F2 CAPABLE		
Connection Drawing	EE7308-LE	Outline Drawing	OL141230

This is an uncontrolled document once printed or downloaded and is subject to change without notice. Date Created:11/01/2022



NOTES:
NAMEPLATE TO BE READ FROM THE CONDUIT BOX SIDE.

DRAWING REVISION B	REVISION BY LK	DATE 01/18/2016
ECO ECO-0091931	APPROVED BY GR	DATE 01/18/2016
ECO DESCRIPTION BONDING LUG ADDED AS PER ECR-0099157		
<small>COPYRIGHT REGAL BELOIT AMERICA, INC. ALL RIGHTS RESERVED. PROPRIETARY AND CONFIDENTIAL INFORMATION - THIS DOCUMENT IS THE PROPERTY OF REGAL BELOIT AMERICA, INC. ("OWNER") AND CONTAINS OWNER'S PROPRIETARY INFORMATION. ANY PERSON, CORPORATION OR OTHER FIRM RECEIVING IT IS DEEMED, BY RECEIVING IT, TO AGREE THAT IT, AND/OR ANY PART OF IT, SHALL NOT BE DISCLOSED TO ANY PERSON, CORPORATION OR OTHER ENTITY, DUPLICATED, AND/OR USED, EXCEPT AS EXPRESSLY APPROVED IN WRITING IN ADVANCE BY OWNER. THIS DOCUMENT SHALL BE RETURNED TO OWNER UPON REQUEST. IT MAY BE SUBJECT TO CERTAIN RESTRICTIONS UNDER APPLICABLE EXPORT CONTROL LAWS AND REGULATIONS.</small>		

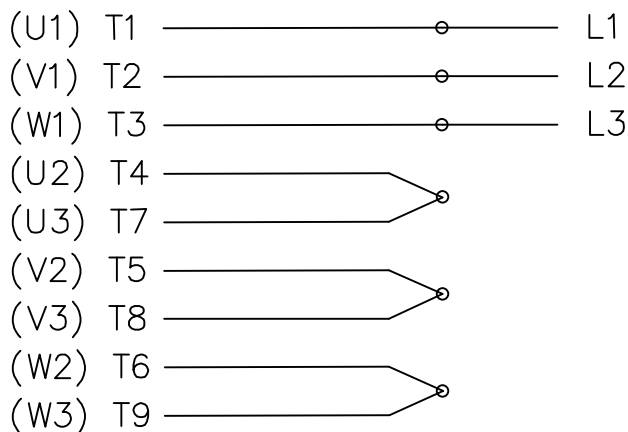
TOLERANCES UNLESS OTHERWISE SPECIFIED:		
DEC.	INCH	mm
.X	±0.1	[±2.5]
.XX	±0.03	[±0.76]
.XXX	±0.005	[±0.127]
.XXXX	±0.0005	[±0.0127]
REMOVE BURRS & BREAK SHARP EDGES: .003/.015 [0.076/.381] X 45°		
CORNER FILLETS: R.02 [0.51]		
MACHINED SURFACES: 125 INCH 3.2 mm		
mm SHOWN IN [BRACKETS]		

DRAWN BY LST
DATE 9/3/15
APPROVED BY
DATE
REFERENCE
THIRD ANGLE PROJECTION

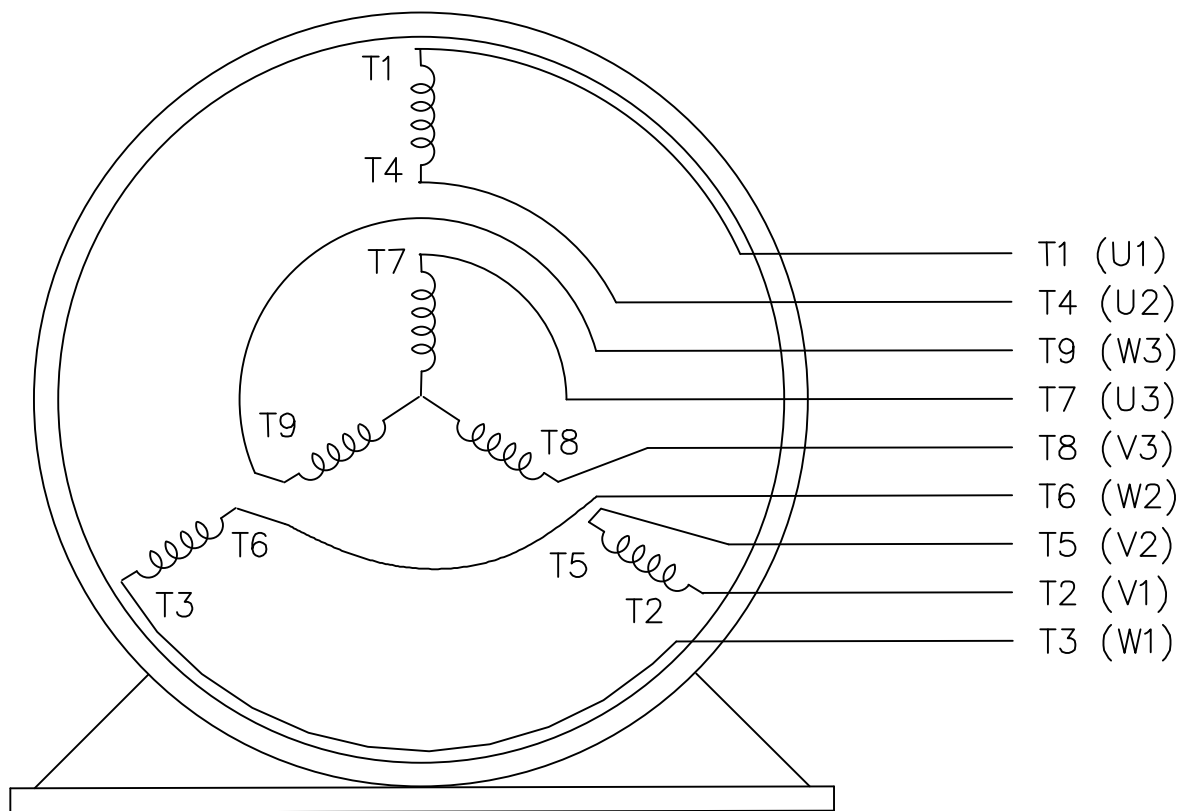
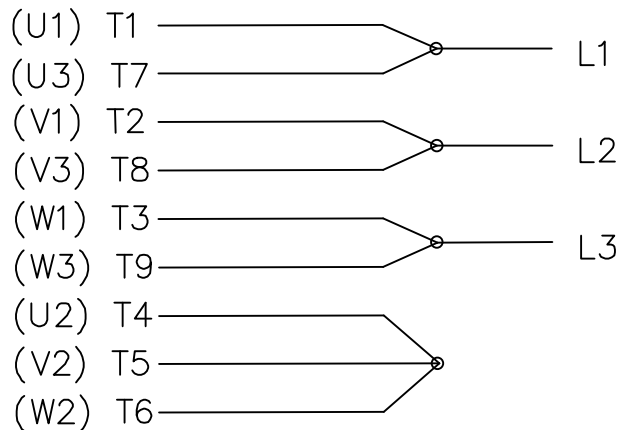
REGAL ™ Regal Beloit America, Inc.	
DESCRIPTION OUTLINE 210 FRAME - DP - D FLANGE	
MATERIAL	PROCESS/FINISH
SIZE B	DRAWING NUMBER OL141230
SHEET 1 OF 1	

THREE PHASE DUAL VOLTAGE MOTOR

HIGH VOLTAGE




LOW VOLTAGE



VIEW OF TERMINAL END

REF.
WINDING DIAGRAM

T8Y, T2Y, T2BL, T4BX, T2EC, T2G
T6BZ, T2B, T6BL, T4AV, T6B, T4B

				TOLERANCES UNLESS SPECIFIED		 ELECTRIC MOTORS GEARMOTORS AND DRIVES	DRAWN HLB 04-29-2002		
				DEC.	INCHES		CHK	ML 05-03-2002	
				.X	±.1		APPD	GK 05-03-2002	
				.XX	±.01		SCALE	1=1	
2	ADDED IEC NOTATIONS... (U1), (V1) ETC. (MU105786)	REP 01-11-2012	DR	.XXX	±.005	TITLE CONNECTION DIAGRAM 3Ø - DUAL VOLTAGE MOTOR		REF	
1	NEW DRAWING	HLB 05-03-2002	ML	.XXXX	±.0005	MAT'L.		FMF	
NO.	REVISION	BY & DATE	CHK	ANG	±1/2'	FINISH		PREV	
THIS DRAWING IN DESIGN AND DETAIL IS OUR PROPERTY AND MUST NOT BE USED EXCEPT IN CONNECTION WITH OUR WORK ALL RIGHTS OF DESIGN AND INVENTION ARE RESERVED THIS IS AN ELECTRONICALLY GENERATED DOCUMENT - DO NOT SCALE THIS PRINT				RFP	CAD FILE EE7308-LE		SIZE	DRAWING NO. PAGE OF	REV.
				DIST	LB-WP	A	EE7308-LE	2	

EC Declaration of Conformity

The undersigned representing
the manufacturer:

Regal Beloit America
100 East Randolph St.
Wausau, WI 54401

and the authorized representative
established within the Community:

Marathon Electric UK
6F Thistleton Road Ind. Estate
Market Overton
Oakham, Rutland LE15 7PP UK

are committed to providing customers with products that comply with applicable regulations and international protocols to which they are subject, including the requirements of the European Parliament Directive on the Harmonization of the laws relating to electrical equipment designed for use within certain voltage limits (2014/35/EU).

Regal Beloit America declares that the following product(s), to which this declaration relates, are in conformity with the relevant sections of the EC standards listed below.

This statement supersedes any statements previously issued pertaining to the product(s) listed below and is subject to change without notice.

Model No : 141230.00

(Model No. may contain prefix and/or suffix characters)

Catalog No : 141230.00

Rework No : N/A

Directives :

Low Voltage Directive 2014/35/EU

Harmonized Standards Used :

EN 60034-1: 2010 (IEC 60034-1: 2010)

EN 60034-5: 2001/A1:2007 (IEC 60034-5: 2000/A1:2006)

Authorized Representative:



Michael A. Logsdon
Vice President, Technology

Authorized Representative in the Community:



Julian Clark
Marketing Engineer

Created on 09/01/2022

CE 22