

# PRODUCT INFORMATION PACKET



Model No: 141138.00  
Catalog No: 141138.00  
..10HP..3500RPM.215T.TEFC.208-230V.1PH.60HZ.Cont.40C.1.0SF.....



Regal and Leeson are trademarks of Regal Rexnord Corporation or one of its affiliated companies.  
©2023 Regal Rexnord Corporation, All Rights Reserved. MC017097E





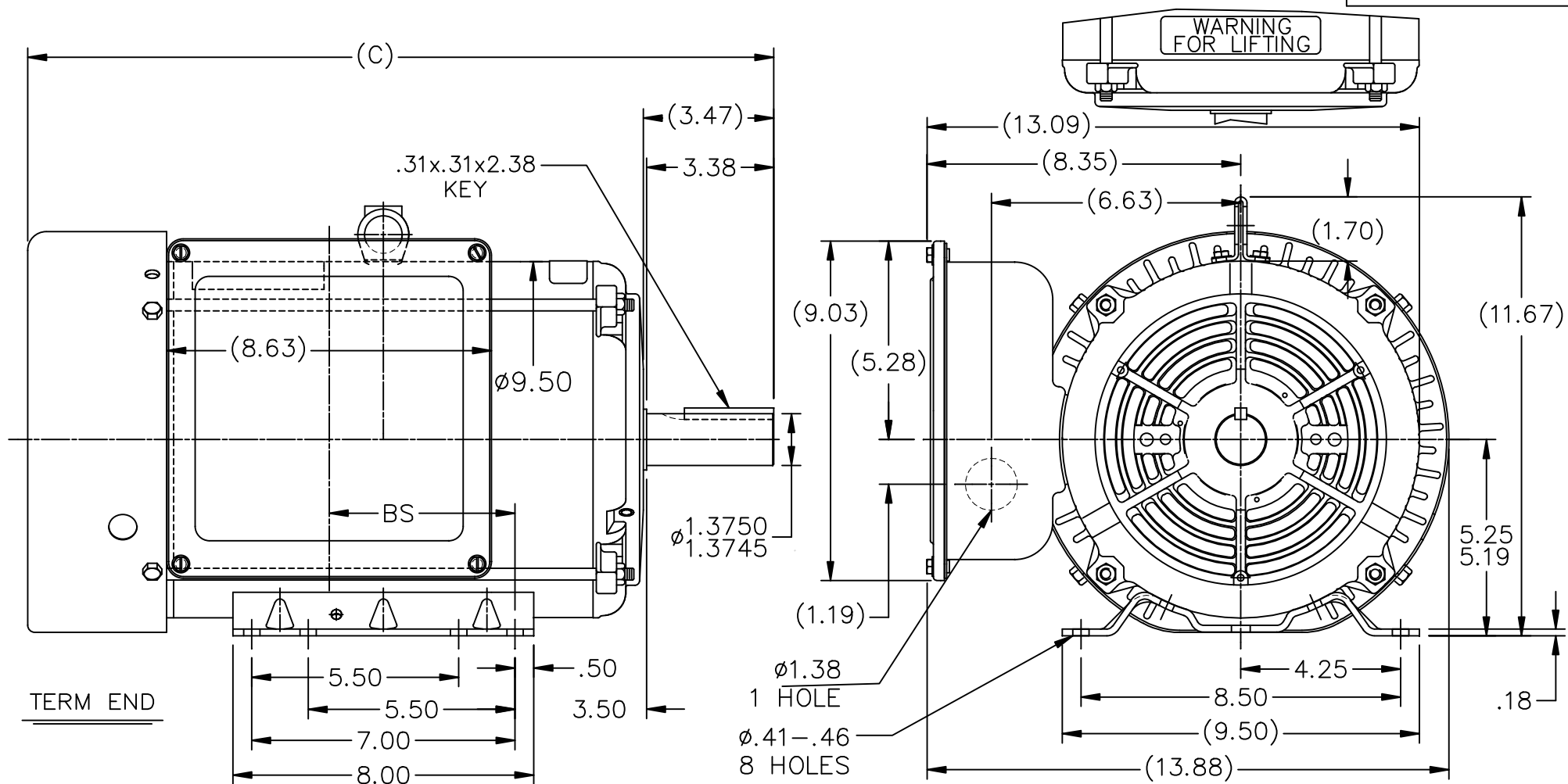
### Nameplate Specifications

Phase	1	Output HP	10 Hp
Output KW	7.50 kW	Voltage	208-230 V
Speed	3500 rpm	Service Factor	1
Frame	213T	Enclosure	Totally Enclosed Fan Cooled
Thermal Protection	No Protection	Efficiency	83.8 %
Ambient Temperature	40 °C	Frequency	60 Hz
Current	44.0-41.5 A	Power Factor	93.2
Duty	Continuous	Insulation Class	F
Design Code	NO DESIGN CODE	KVA Code	G
Drive End Bearing Size	6307	Opp Drive End Bearing Size	6206
UL	Recognized	CSA	Y
CE	N	IP Code	43
Number of Speeds	1		

### Technical Specifications

Electrical Type	Capacitor Start Capacitor Run	Starting Method	Across The Line
Poles	2	Rotation	Selective Counterclockwise
Resistance Main	0 Ohms	Mounting	Rigid Base
Motor Orientation	Horizontal	Drive End Bearing	Ball
Opp Drive End Bearing	Ball	Frame Material	Rolled Steel
Shaft Type	T	Assembly/Box Mounting	F1 ONLY
Outline Drawing	A-SS88687LE-1115	Connection Drawing	A-EE9048MF-LE

This is an uncontrolled document once printed or downloaded and is subject to change without notice. Date Created:06/06/2023



TERM END

DASH	FR.	C	BS
965	213T	18.34	3.44
1115	213/15T	19.84	4.94
1240	215T	21.09	6.19

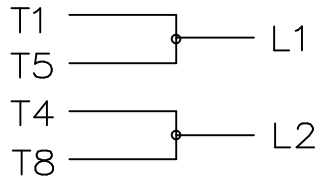
NOTES:

1. NAMEPLATE TO BE READ FROM C'BOX SIDE OF MOTOR.
2. DASH 965 TO BE READ FROM OPPOSITE SHAFT END
3. GENERIC OUTLINE, FARM DUTY MODELS INCLUDE SHAFT END SLINGER

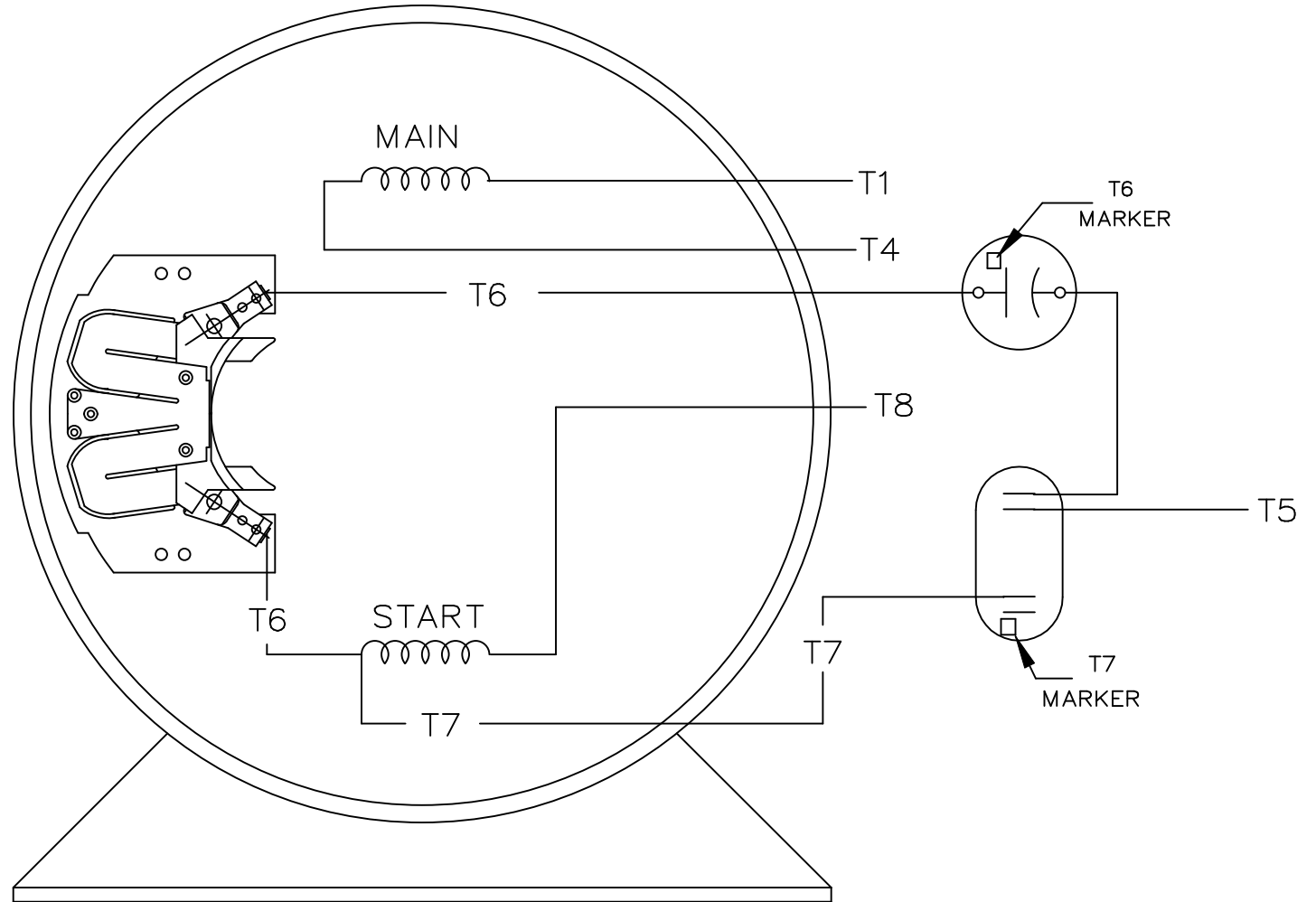
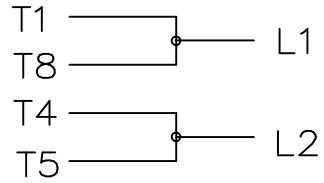
			TOLERANCES UNLESS SPECIFIED			DRAWN RJM 07-26-2002	
			DEC.	INCHES		CHK	ML 08-05-2002
			.X	±.1		APPD	JPL 08-02-2002
3	ADDED NOTE 3	KVN 11/9/2009	.XX	±.03	TITLE OUTLINE	SCALE	1=4
2	ADDED NOTE 2 CN 31881	DRS 10-21-2002	ML	.XXX ±.005	210 FR. - TEFC - 1 PHASE	REF	
1	NEW DRAWING - DES/DEV	RJM 08-02-2002		.XXXX ±.0005	MAT'L.	FMF	
NO.	REVISION	BY & DATE	CHK	ANG	FINISH	PREV	
			RFP		CAD FILE ss88687le	SIZE	DRAWING NO. PAGE OF REV.
			DIST	LB		A	SS88687LE 3

THIS DRAWING IN DESIGN AND DETAIL IS OUR PROPERTY AND MUST NOT BE USED EXCEPT IN CONNECTION WITH OUR WORK ALL RIGHTS OF DESIGN AND INVENTION ARE RESERVED THIS IS AN ELECTRONICALLY GENERATED DOCUMENT - DO NOT SCALE THIS PRINT

C.W. ROTATION




C.C.W. ROTATION



SINGLE VOLTAGE  
CAPACITOR START  
CAPACITOR RUN  
REVERSIBLE

VIEW OF TERMINAL END

				TOLERANCES UNLESS SPECIFIED		 ELECTRIC MOTORS GEARMOTORS AND DRIVES	DRAWN RJM 07-25-2002		
				DEC.	INCHES		CHK		
				.X	±.1		APPD		
				.XX	±.02		SCALE 1=1		
				.XXX	±.005		REF		
1	NEW DRAWING - DES/DEV	RJM		.XXXX	±.0005	MAT'L.	FMF		
NO.	REVISION	BY & DATE	CHK	ANG	±7'30"	FINISH	PREV		
THIS DRAWING IN DESIGN AND DETAIL IS OUR PROPERTY AND MUST NOT BE USED EXCEPT IN CONNECTION WITH OUR WORK ALL RIGHTS OF DESIGN AND INVENTION ARE RESERVED THIS IS AN ELECTRONICALLY GENERATED DOCUMENT - DO NOT SCALE THIS PRINT				RFP	CAD FILE EE9048MF-LE		SIZE	DRAWING NO. PAGE OF	REV.
				DIST LB			A	EE9048MF-LE	1