

PRODUCT INFORMATION PACKET



Model No: 141127.00

Catalog No: 141127.00

Premium Duck™ General Purpose Motor, 10 HP, 3 Ph, 60 Hz, 575 V, 3600 RPM, 215TC Frame, TEFC

Regal and Leeson are trademarks of Regal Rexnord Corporation or one of its affiliated companies.

©2023 Regal Rexnord Corporation, All Rights Reserved. MC017097E





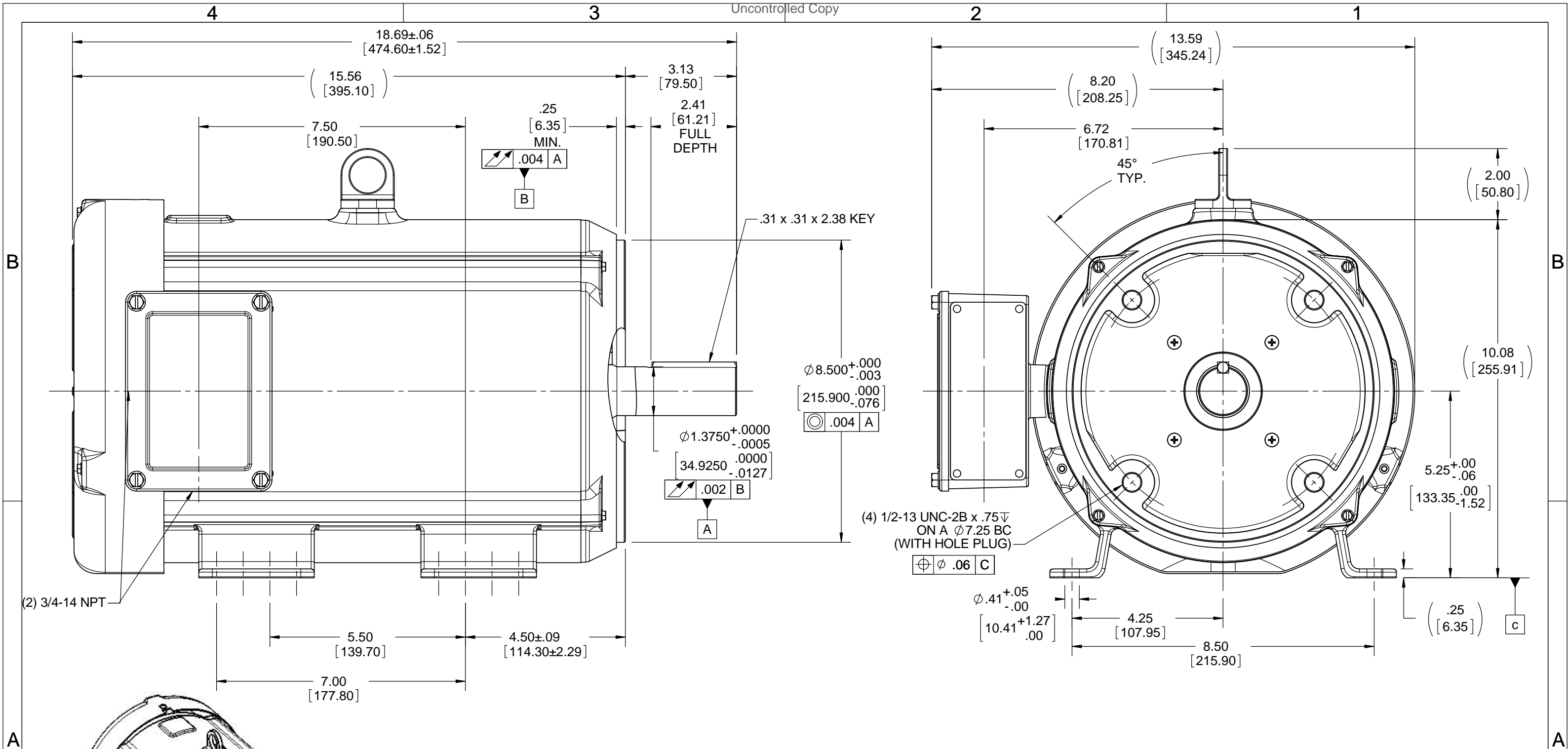
Nameplate Specifications

| | | | |
|------------------------|----------------------|----------------------------|------------------------------------|
| Output HP | 10 Hp | Output KW | 7.5 kW |
| Frequency | 60 Hz | Voltage | 575 V |
| Current | 9.5 A | Speed | 3535 rpm |
| Service Factor | 1.15 | Phase | 3 |
| Efficiency | 91.7 % | Power Factor | 87 |
| Duty | Continuous | Insulation Class | F |
| Design Code | B | KVA Code | H |
| Frame | 215TC | Enclosure | Totally Enclosed Fan Cooled |
| Thermal Protection | No Protection | Ambient Temperature | 40 °C |
| Drive End Bearing Size | 6209 | Opp Drive End Bearing Size | 6207 |
| UL | Recognized | CSA | Y |
| CE | Y | IP Code | 56 |
| Number of Speeds | 1 | | |

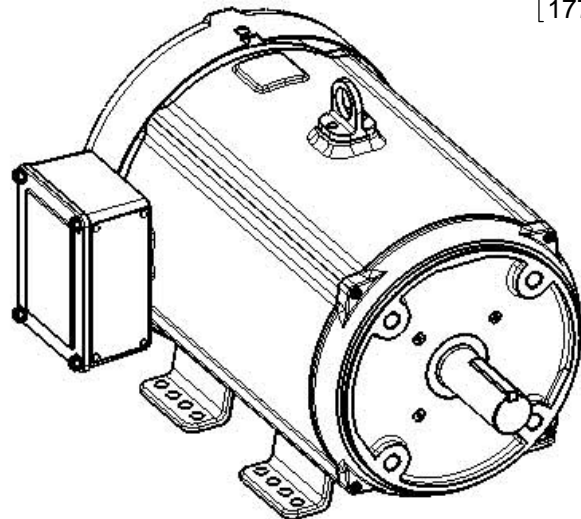
Technical Specifications

| | | | |
|-----------------------|-------------------------------------|-----------------------|-------------------------|
| Electrical Type | Squirrel Cage Inverter Rated | Starting Method | Line Or Inverter |
| Poles | 2 | Rotation | Reversible |
| Resistance Main | .8 Ohms | Mounting | Rigid Base |
| Motor Orientation | Horizontal | Drive End Bearing | Ball |
| Opp Drive End Bearing | Ball | Frame Material | Stainless Steel |
| Shaft Type | T | Assembly/Box Mounting | F1 ONLY |
| Inverter Load | CONSTANT 6:1 | | |
| Outline Drawing | 037616 | Connection Drawing | 005102.01 |

This is an uncontrolled document once printed or downloaded and is subject to change without notice. Date Created:01/18/2023



(2) 3/4-14 NPT

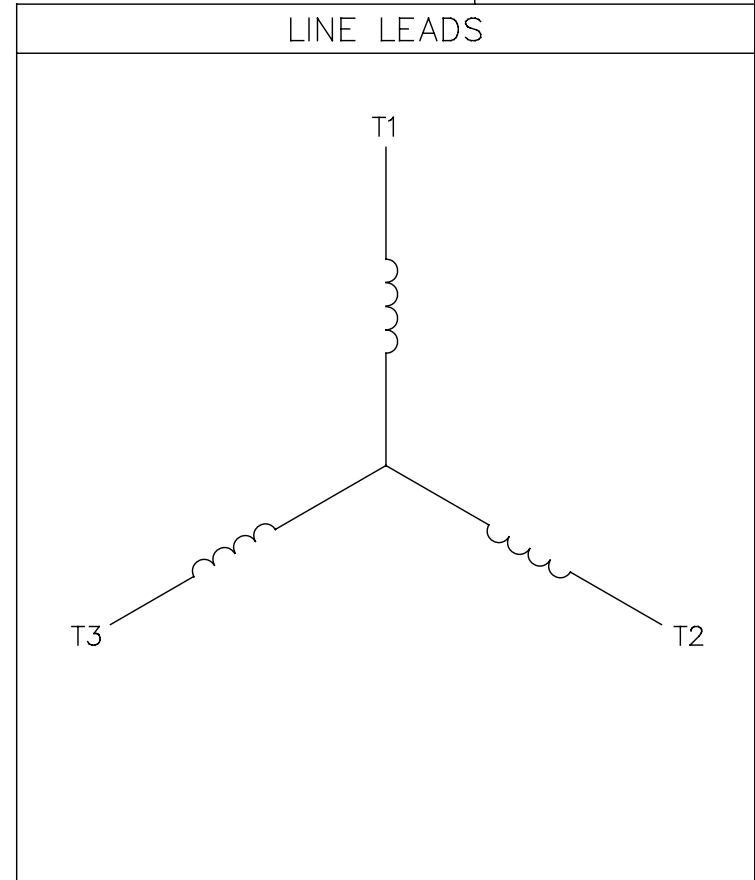
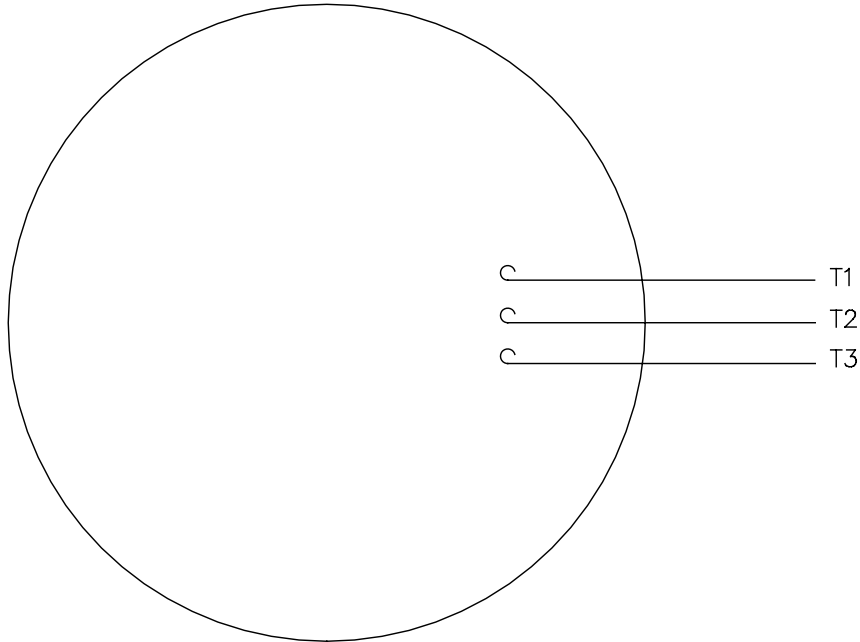


ISOMETRIC VIEW
SCALE 1=6

| | | | | | | |
|------------------------------------------------------------------------------------------------------------------------------------------------------------------------------------------------------------------------------------------------------------------------------------------------------------------------------------------------------------------------------------------------------------------------------------------------------------------------------------------------------------------------------------------------------------------------------------------------------------------------------------------------------------------------------------------------|---------------------------|-------------------|-------------------------------------------------------------------------------------------------------------------------------------------------|-------------------------------------------------|--------------------------|----------------------------|
| DRAWING REVISION E | REVISION BY M. VERBICK | DATE 5-29-2015 | TOLERANCES UNLESS OTHERWISE SPECIFIED: | | DRAWN BY JJK | Regal Beloit America, Inc. |
| ECO ECO-0078542 | APPROVED BY | DATE | DEC. | INCH | mm | |
| ECO DESCRIPTION | | | .X | ±0.1 | [±2.5] | ±0.5° |
| TITLE BLOCK LOGO CHANGE COPYRIGHT REGAL BELOIT AMERICA, INC. ALL RIGHTS RESERVED. PROPRIETARY AND CONFIDENTIAL INFORMATION - THIS DOCUMENT IS THE PROPERTY OF REGAL BELOIT AMERICA, INC. ("OWNER") AND CONTAINS OWNER'S PROPRIETARY INFORMATION. ANY PERSON, CORPORATION OR OTHER FIRM RECEIVING IT IS DEEMED, BY RECEIVING IT, TO AGREE THAT IT, AND/OR ANY PART OF IT, SHALL NOT BE DISCLOSED TO ANY PERSON, CORPORATION OR OTHER ENTITY, DUPLICATED, AND/OR USED, EXCEPT AS EXPRESSLY APPROVED IN WRITING IN ADVANCE BY OWNER. THIS DOCUMENT SHALL BE RETURNED TO OWNER UPON REQUEST. IT MAY BE SUBJECT TO CERTAIN RESTRICTIONS UNDER APPLICABLE EXPORT CONTROL LAWS AND REGULATIONS. | | | .XX | ±0.03 | [±0.76] | |
| | | | .XXX | ±0.005 | [±0.127] | |
| | | | .XXXX | ±0.0005 | [±0.0127] | |
| | | | REMOVE BURRS & BREAK SHARP EDGES: .003/.015 [0.076/.381] X 45° CORNER FILLETS: R.02 [51] MACHINED SURFACES: 125 INCH 3.2 mm SHOWN IN [BRACKETS] | | | |
| DESCRIPTION | | | REFERENCE OLG140675-00 | MATERIAL WASHGUARD ALL STAINLESS STEEL MOTOR | PROCESS/FINISH | |
| DATE | | | THIRD ANGLE PROJECTION | SIZE B | DRAWING NUMBER 037616 | SHEET 1 OF 1 |

005102-01

VIEW FROM OUTSIDE OF MOTOR AT SWITCH END.



CONNECT LEADS AS FOLLOWS
FOR FOUR CONDUCTOR CORD ()

| | | | | |
|-------|-------------|---------------|---------------|---------|
| CORD | L1 (RED) | L2 (WHITE) | L3 (BLACK) | (GREEN) |
| MOTOR | T1 | T2 | T3 | GROUND |

| | | | | | | | | | | |
|----------------------------------------------------------------------------------------------------------------------------------------------------------------------------------------------------------------------------------|------------------------------------|--------------|-----|--------------------------------|--------|------------------------------------------------------------|--|-----------------------|-----------------------|---------|
| | | | | TOLERANCES UNLESS SPECIFIED | | Regal Beloit America, Inc. | | DRAWN JRW 9/11/75 | | |
| | | | | DEC. | INCHES | | | CHK | | |
| | | | | .X | ±.1 | | | APPD JCW 9/11/75 | | |
| 08 | UPDATED TO REGAL LOGO | SAJ 06/26/15 | AJY | .XX | ±.01 | TITLE EXTERNAL WIRING DIAGRAM TYPE "T" W/O PROTECTOR | | SCALE 1=1 | | |
| 07 | UPDATED TO CURRENT STANDARDS | DBT 5/30/97 | | .XXX | ±.005 | | | REF W-T6343-6 | | |
| 06 | REDRAWN ON CAD; ADDED DECAL NUMBER | SAW 1/24/95 | | .XXXX | ±.0005 | | | MAT'L. DECAL - 004169 | | |
| NO. | REVISION | BY & DATE | CHK | ANG | ±1/2" | FINISH | | FMF 6T17FB7 | | |
| THIS DRAWING IN DESIGN AND DETAIL IS OUR PROPERTY AND MUST NOT BE USED EXCEPT IN CONNECTION WITH OUR WORK ALL RIGHTS OF DESIGN AND INVENTION ARE RESERVED THIS IS AN ELECTRONICALLY GENERATED DOCUMENT - DO NOT SCALE THIS PRINT | | | | RFP 5/1/02 | | CAD FILE 00510201 | | SIZE A | DRAWING NO. 005102-01 | REV. 08 |
| | | | | DIST BRF-NLV | | | | | | |