

# PRODUCT INFORMATION PACKET



Model No: 141120.00

Catalog No: 141120.00

White Duck™ General Purpose Motor, 7.50 & 5 HP, 3 Ph, 60 & 50 Hz, 230/460 & 190/380 V,  
3600 & 3000 RPM, 213TC Frame, TEFC



Regal and Leeson are trademarks of Regal Rexnord Corporation or one of its affiliated companies.

©2023 Regal Rexnord Corporation, All Rights Reserved. MC017097E





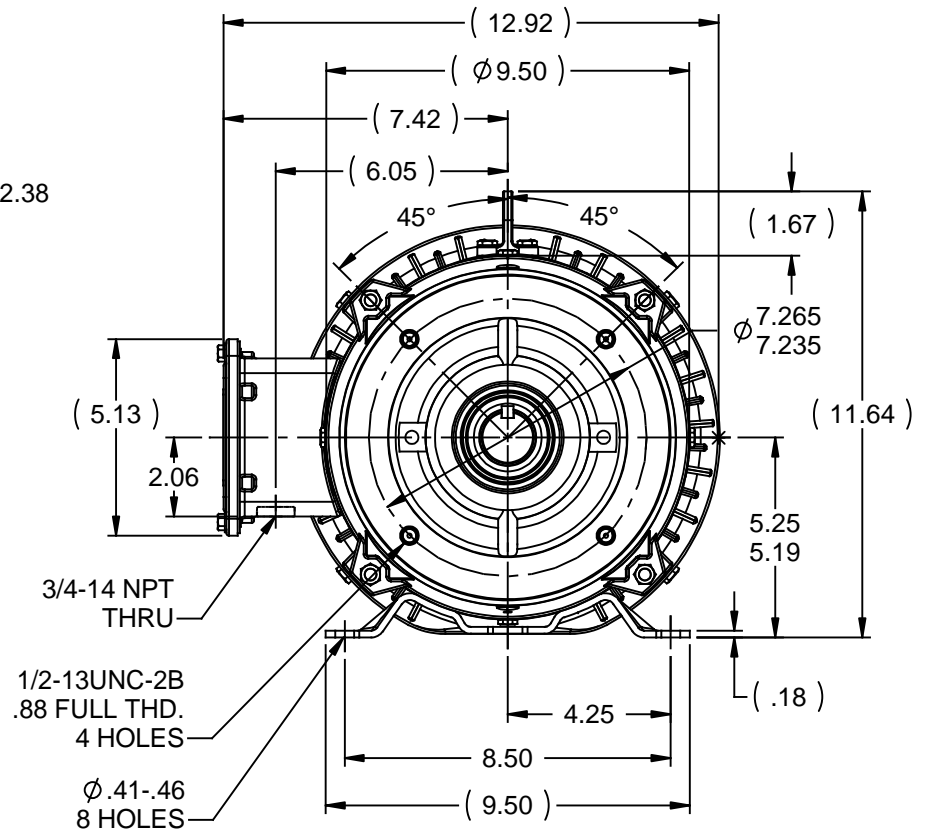
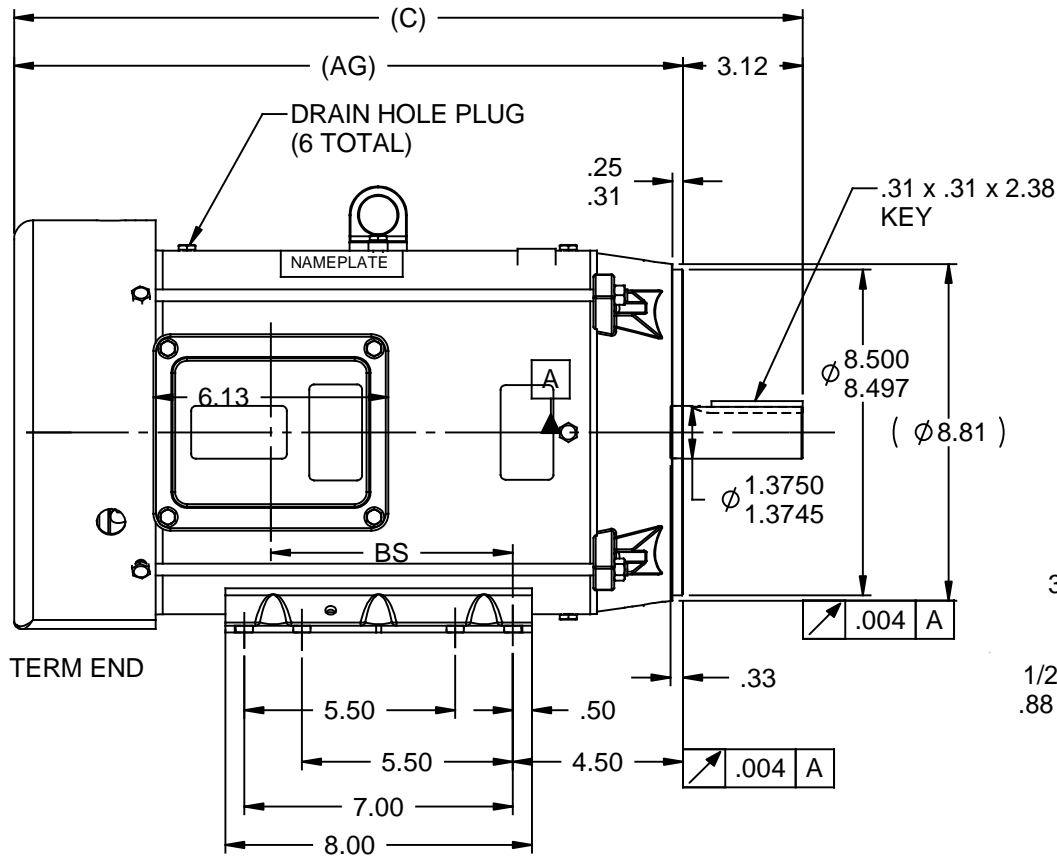
### Nameplate Specifications

Phase	<b>3</b>	Output HP	<b>7.50 &amp; 5 Hp</b>
Output KW	<b>5.6 &amp; 3.7 kW</b>	Voltage	<b>230/460 &amp; 190/380 V</b>
Speed	<b>3540 &amp; 2955 rpm</b>	Service Factor	<b>1.15 &amp; 1.15</b>
Frame	<b>213TC</b>	Enclosure	<b>Totally Enclosed Fan Cooled</b>
Thermal Protection	<b>No Protection</b>	Efficiency	<b>90.2 &amp; 89.5 %</b>
Ambient Temperature	<b>40 °C</b>	Frequency	<b>60 &amp; 50 Hz</b>
Current	<b>17.8/8.9 &amp; 15/7.5 A</b>	Power Factor	<b>87</b>
Duty	<b>Continuous</b>	Insulation Class	<b>F</b>
Design Code	<b>B</b>	KVA Code	<b>H</b>
Drive End Bearing Size	<b>6309</b>	Opp Drive End Bearing Size	<b>6206</b>
UL	<b>Recognized</b>	CSA	<b>Y</b>
CE	<b>Y</b>	IP Code	<b>55</b>
Number of Speeds	<b>1</b>		

### Technical Specifications

Electrical Type	<b>Squirrel Cage Inverter Rated</b>	Starting Method	<b>Line Or Inverter</b>
Poles	<b>2</b>	Rotation	<b>Reversible</b>
Resistance Main	<b>1.163 Ohms</b>	Mounting	<b>Rigid Base</b>
Motor Orientation	<b>Horizontal</b>	Drive End Bearing	<b>Ball</b>
Opp Drive End Bearing	<b>Ball</b>	Frame Material	<b>Rolled Steel</b>
Shaft Type	<b>T</b>	Overall Length	<b>20.57 in</b>
Frame Length	<b>11.15 in</b>	Shaft Diameter	<b>1.375 in</b>
Shaft Extension	<b>3.38 in</b>	Assembly/Box Mounting	<b>F1/F2 CAPABLE</b>
Inverter Load	<b>VARIABLE 10:1</b>		
Connection Drawing	<b>EE7308-LE</b>	Outline Drawing	<b>SS88708LE-1115</b>






DASH	FRAME	C	BS	AG
965	213T	19.07	4.82	15.95
1115	213/15T	20.57	6.32	17.45
1240	215T	21.82	7.57	18.70

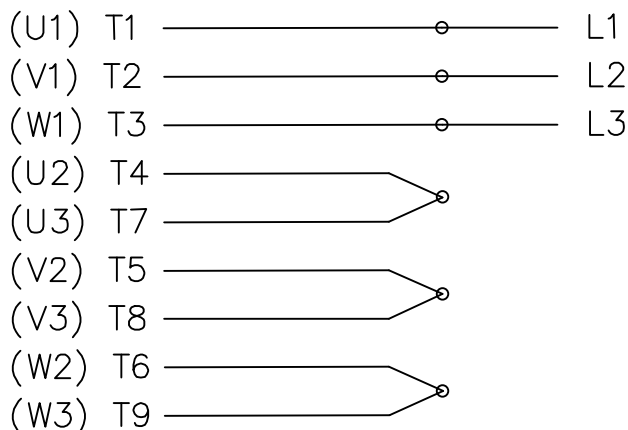
NOTES:

- 1- NAMEPLATE TO BE READ FROM C'BOX SIDE OF MOTOR. DASH 965 TO BE READ FROM OPPOSITE SHAFT END
- 2- C'BOX CAN BE MOUNTED ON OPPOSITE SIDE BY REMOVING BRACKETS AND TURNING FRAME 180 DEGREES (EXCEPT AS NOTED).

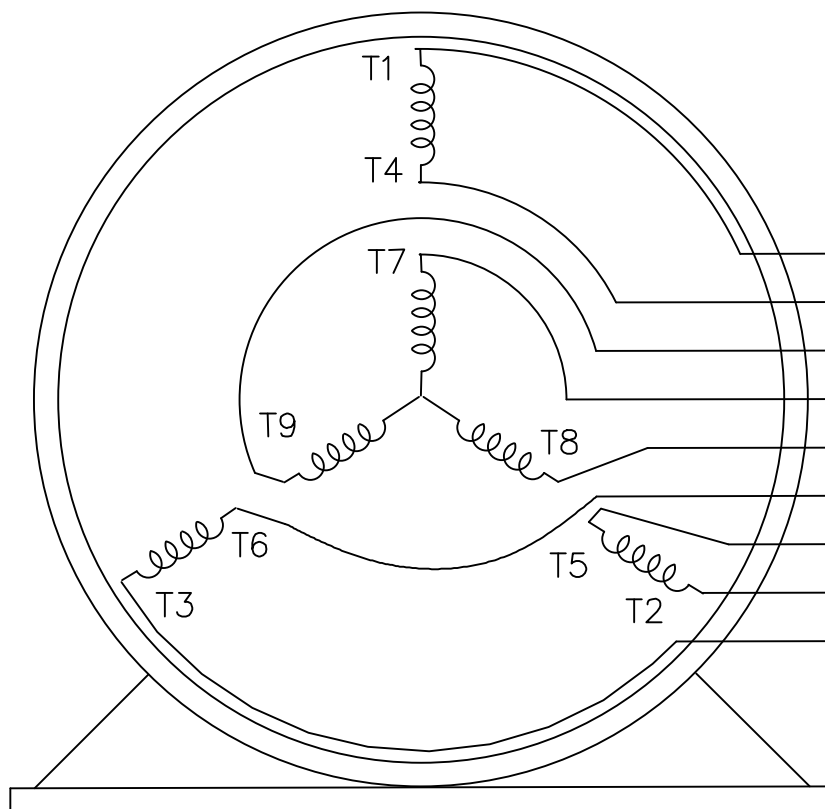
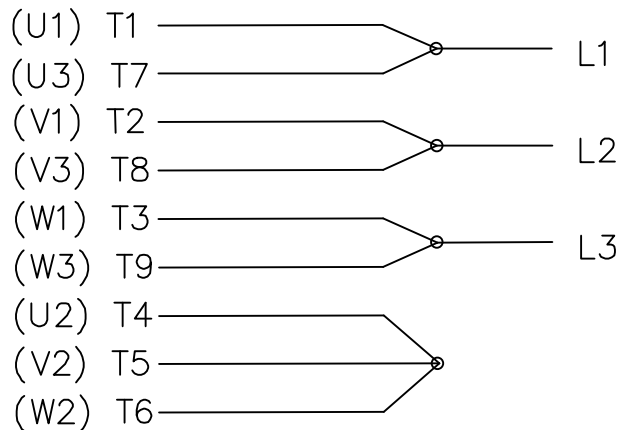
				TOLERANCES UNLESS SPECIFIED		 ELECTRIC MOTORS GEARMOTORS AND DRIVES	DRAWN RJM 09-18-2002				
				DEC	INCHES		CHK MOL 10-11-2002				
				.X	.1		APPR JPL 10-11-2002				
3	REDRAWN ON SOLIDWORKS; UPDATED C'BOX	CN 32394	DRS 09-02-2003	ML	.XX	.03	TITLE OUTLINE - WASHDOWN	SCALE 1:5			
2	RELOCATED NAMEPLATE	CN 36419	DRS 03-26-2003		.XXX	.005	210 FR. - TEFC - C'FACE - 3 PHASE	REF			
1	NEW DRAWING	DES/DEV	RJM 10-11-2002		.XXXX	.0005	MAT'L	FMF			
NO	REVISION		BY & DATE	CHK	ANG	7'30"	FINISH	PREV			
THIS DRAWING IN DESIGN AND DETAIL IS OUR PROPERTY AND MUST NOT BE USED EXCEPT IN CONNECTION WITH OUR WORK. ALL RIGHTS OF DESIGN AND INVENTION ARE RESERVED. THIS IS AN ELECTRONICALLY GENERATED DOCUMENT - DO NOT SCALE THIS PRINT							RFP	CAD FILE SS88708LE	SIZE	DRAWING NO	REV
							DIST	LB - LE	<b>A</b>	<b>SS88708LE</b>	<b>3</b>

### THREE PHASE DUAL VOLTAGE MOTOR

#### HIGH VOLTAGE



#### LOW VOLTAGE




- T1 (U1)
- T4 (U2)
- T9 (W3)
- T7 (U3)
- T8 (V3)
- T6 (W2)
- T5 (V2)
- T2 (V1)
- T3 (W1)

VIEW OF TERMINAL END

REF.  
WINDING DIAGRAM

T8Y, T2Y, T2BL, T4BX, T2EC, T2G  
T6BZ, T2B, T6BL, T4AV, T6B, T4B

				TOLERANCES UNLESS SPECIFIED		 ELECTRIC MOTORS GEARMOTORS AND DRIVES	DRAWN HLB 04-29-2002		
				DEC.	INCHES		CHK	ML 05-03-2002	
				.X	±.1		APPD	GK 05-03-2002	
				.XX	±.01	TITLE CONNECTION DIAGRAM 3Ø - DUAL VOLTAGE MOTOR	SCALE 1=1		
2	ADDED IEC NOTATIONS... (U1), (V1) ETC. (MU105786)	REP 01-11-2012	DR	.XXX	±.005			REF	
1	NEW DRAWING	HLB 05-03-2002	ML	.XXXX	±.0005	MAT'L.	FMF		
NO.	REVISION	BY & DATE	CHK	ANG	±1/2'	FINISH	PREV		
THIS DRAWING IN DESIGN AND DETAIL IS OUR PROPERTY AND MUST NOT BE USED EXCEPT IN CONNECTION WITH OUR WORK ALL RIGHTS OF DESIGN AND INVENTION ARE RESERVED THIS IS AN ELECTRONICALLY GENERATED DOCUMENT - DO NOT SCALE THIS PRINT				RFP		CAD FILE EE7308-LE	SIZE	DRAWING NO. PAGE OF	REV.
				DIST	LB-WP		A	EE7308-LE	2

Data Sheet

Date: 1/29/2018

141120.00



Data @ **460 V**

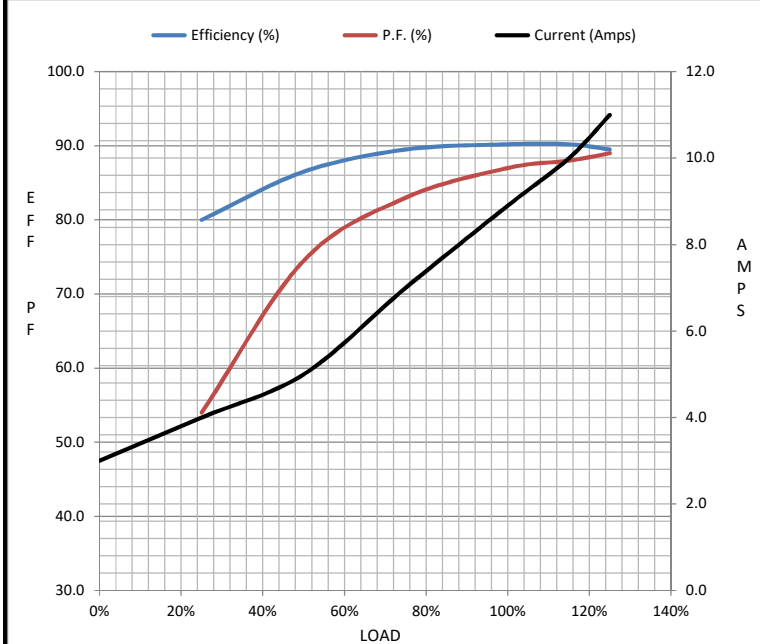
Motor Load Data

Load	0%	25%	50%	75%	100%	115%	125%	LR
Current (Amps)	3.0	4.0	5.0	7.0	8.9	10.0	11.0	63.5
Torque (ft-lb)	0.00	2.50	5.5	8.5	11.1	12.5	14.0	24.0
RPM	3600	3585	3575	3560	3540	3,535	3530	0
Efficiency (%)		80.0	86.5	89.5	90.2	90.2	89.5	
P.F. (%)	9.0	54.0	74.5	83.0	87.0	88.0	89.0	40.0

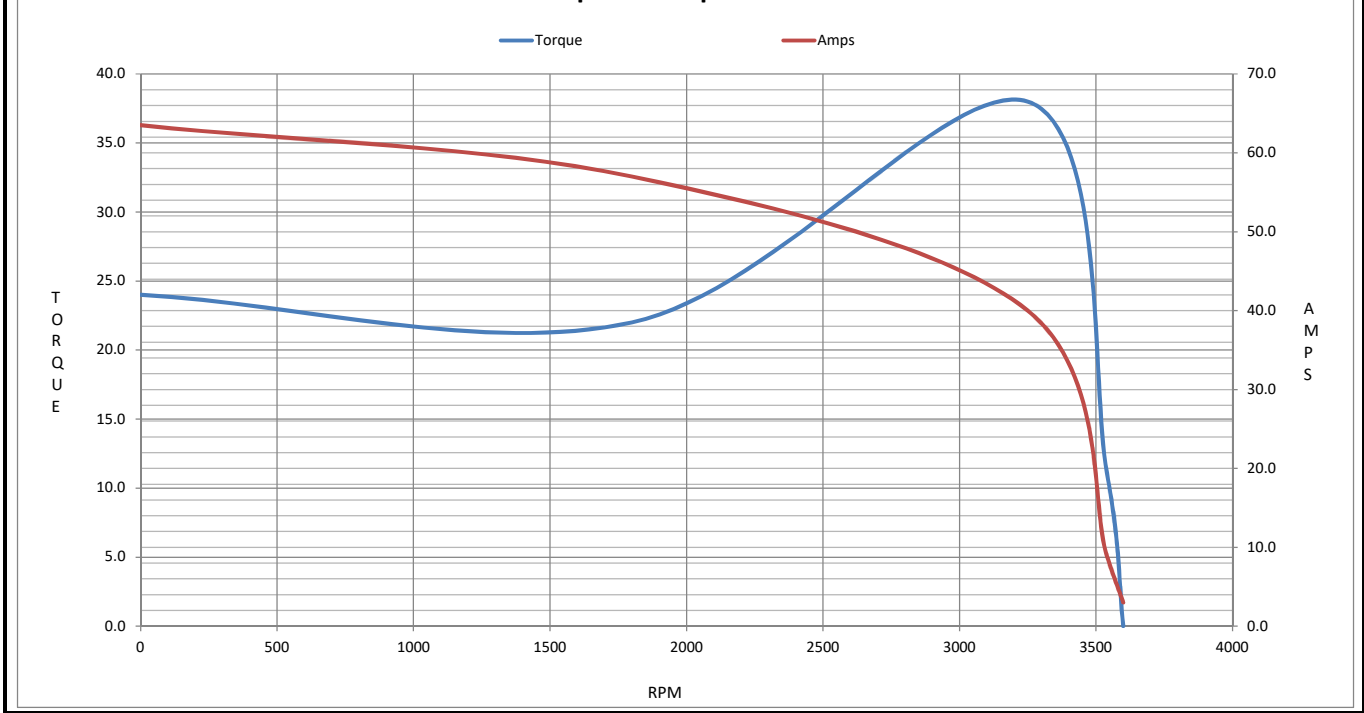
Motor Speed Data

	LR	Pull-Up	BD	Rated	Idle
Speed (RPM)	0	1800	3250	3540	3600
Current (Amps)	63.5	57.0	40.0	8.9	3.0
Torque (ft-lb)	24.0	22.0	38.0	11.1	0.00

Information Block				
HP	7.5			
Sync. RPM	3600			
Frame	213			
Enclosure	TEFC			
Construction	TFW			
Voltage	230/460#190/380 V			
Frequency	60 Hz			
Design	A			
LR Code letter	H			
Service Factor	1.15			
Temp Rise @ FL	40 °C			
Duty	CONT			
Ambient	40 °C			
Elevation	1,000 feet			
Rotor/Shaft wk <sup>2</sup>	0.55 Lb-Ft <sup>2</sup>			
Ref Wdg	K213269 R3			
Sound Pressure @ 1M	72 dBA			
VFD Rating	VARIABLE 10:1			
Outline Dwg	SS88708LE-1115			
Conn. Diag	EE7308-LE			
Additional Specifications:				
0				
0				
EQUIV CKT (OHMS / PHASE)				
R1	R2	X1	X2	Xm
0.6880	0.4690	2.2980	2.3930	80.8920



Speed - Torque Curve



## EC Declaration of Conformity

The undersigned representing  
the manufacturer:

Regal Beloit America  
100 East Randolph St.  
Wausau, WI 54401

and the authorized representative  
established within the Community:

Marathon Electric UK  
6F Thistleton Road Ind. Estate  
Market Overton  
Oakham, Rutland LE15 7PP UK

are committed to providing customers with products that comply with applicable regulations and international protocols to which they are subject, including the requirements of the European Parliament Directive on the Harmonization of the laws relating to electrical equipment designed for use within certain voltage limits (2014/35/EU).

Regal Beloit America declares that the following product(s), to which this declaration relates, are in conformity with the relevant sections of the EC standards listed below.

This statement supersedes any statements previously issued pertaining to the product(s) listed below and is subject to change without notice.

Model No : 141120.00

(Model No. may contain prefix and/or suffix characters)

Catalog No : 141120.00

Rework No : N/A

Directives :

Low Voltage Directive 2014/35/EU

Harmonized Standards Used :

EN 60034-1: 2010 (IEC 60034-1: 2010)

EN 60034-5: 2001/A1:2007 (IEC 60034-5: 2000/A1:2006)

Authorized Representative:



Michael A. Logsdon  
Vice President, Technology

Authorized Representative in the Community:



Julian Clark  
Marketing Engineer

Created on 09/01/2022

**CE 22**