

PRODUCT INFORMATION PACKET



Model No: 140830.00

Catalog No: 140830.00

General Purpose Farm Duty Motor, 7.50 HP, 1 Ph, 60 Hz, 230 V, 1800 & 1800 RPM, 215TVZ Frame, DPAO



Regal and Leeson are trademarks of Regal Rexnord Corporation or one of its affiliated companies.

©2025 Regal Rexnord Corporation, All Rights Reserved. MC017097E



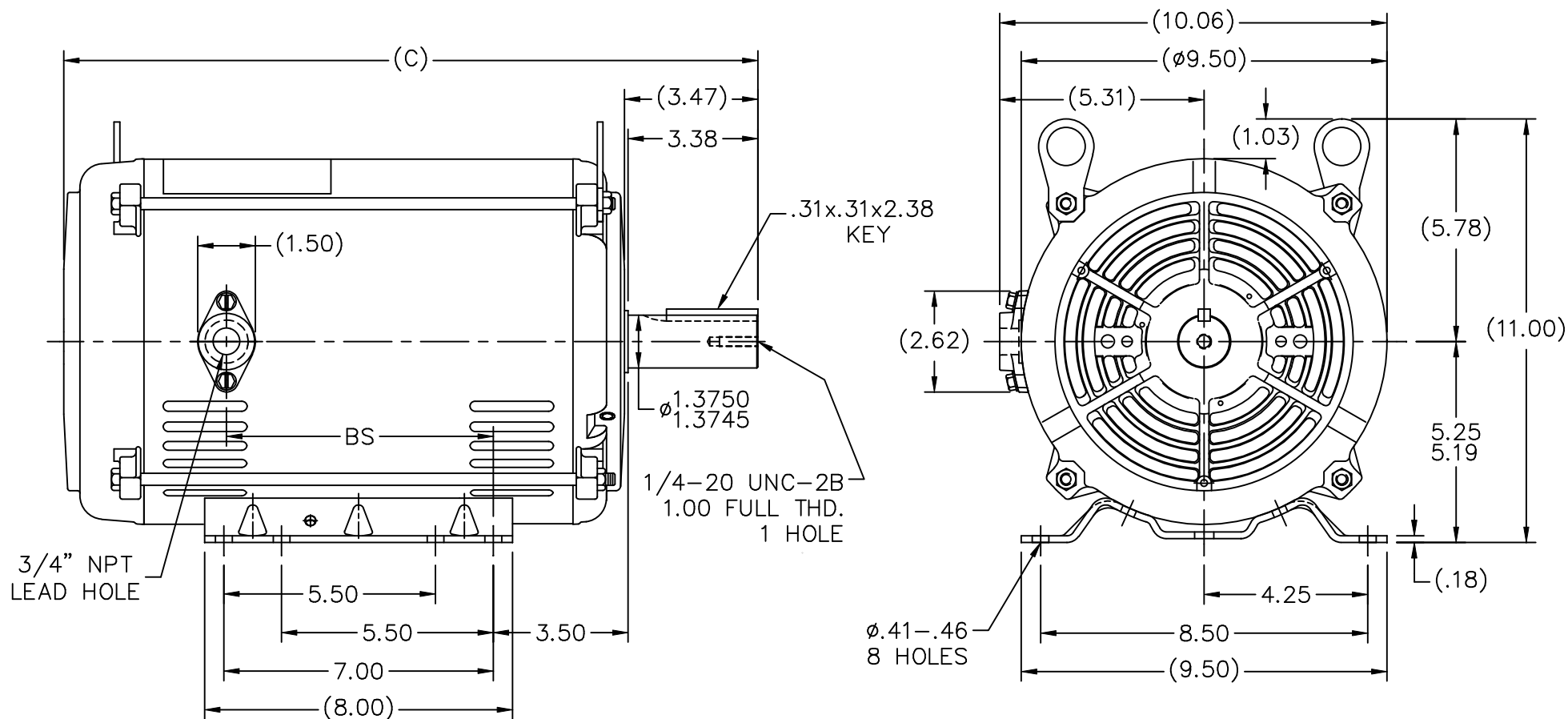


Nameplate Specifications

Phase	1	Output HP	7.50 Hp
Output KW	5.6 kW	Voltage	230 V
Speed	1733 r/min	Service Factor	1.15
Frame	215TVZ	Enclosure	Drip Proof Air Over
Thermal Protection	No Protection	Efficiency	84 %
Ambient Temperature	80 °C	Frequency	60 Hz
Current	34.5 A	Power Factor	85.5
Duty	Continuous	Insulation Class	H
Design Code	L	KVA Code	G
Drive End Bearing Size	309	Opp Drive End Bearing Size	206
UL	Recognized	CSA	Y
CE	N	IP Code	22
Number of Speeds	1		


Technical Specifications

Electrical Type	Capacitor Start Capacitor Run	Starting Method	Across The Line
Poles	4	Rotation	Selective Counterclockwise
Resistance Main	0 O	Mounting	Rigid Base
Motor Orientation	Shaft Up	Drive End Bearing	Ball
Opp Drive End Bearing	Ball	Frame Material	Rolled Steel
Shaft Type	Single Special Extension	Overall Length	18.04 in
Frame Length	11.15 in	Shaft Diameter	1.375 in
Shaft Extension	3.38 in	Assembly/Box Mounting	W8
Connection Drawing	EE9048LV-LE	Outline Drawing	SS89672LE-1115

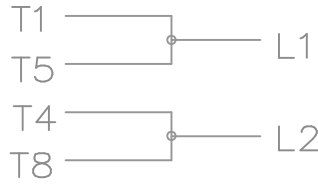


1115	213/215T	18.04	8.18
1240	215T	19.29	8.18
DASH	FRAME	C	BS

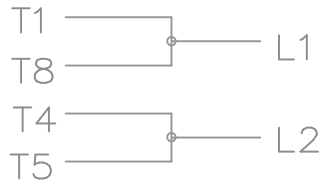
NOTES:
1. NAMEPLATE TO BE READ FROM LEAD EXIT SIDE OF MOTOR.

		TOLERANCES UNLESS SPECIFIED		 ELECTRIC MOTORS GEARMOTORS AND DRIVES	DRAWN AK 05/07/2009				
		DEC.	INCHES		CHK SVL 05/07/2009				
		.X	±.1		APPD SVL 05/07/2009				
		.XX	±.03		SCALE 1=4				
		.XXX	±.005		REF SS87033				
		.XXXX	±.0005	MAT'L.	FMF MU92311				
NO.	REVISION	BY & DATE	CHK	ANG ±7'30"	FINISH	PREV			
THIS DRAWING IN DESIGN AND DETAIL IS OUR PROPERTY AND MUST NOT BE USED EXCEPT IN CONNECTION WITH OUR WORK ALL RIGHTS OF DESIGN AND INVENTION ARE RESERVED THIS IS AN ELECTRONICALLY GENERATED DOCUMENT - DO NOT SCALE THIS PRINT			RFP	CAD FILE ss89672le		SIZE A	DRAWING NO. SS89672LE	PAGE OF	REV.
			DIST						

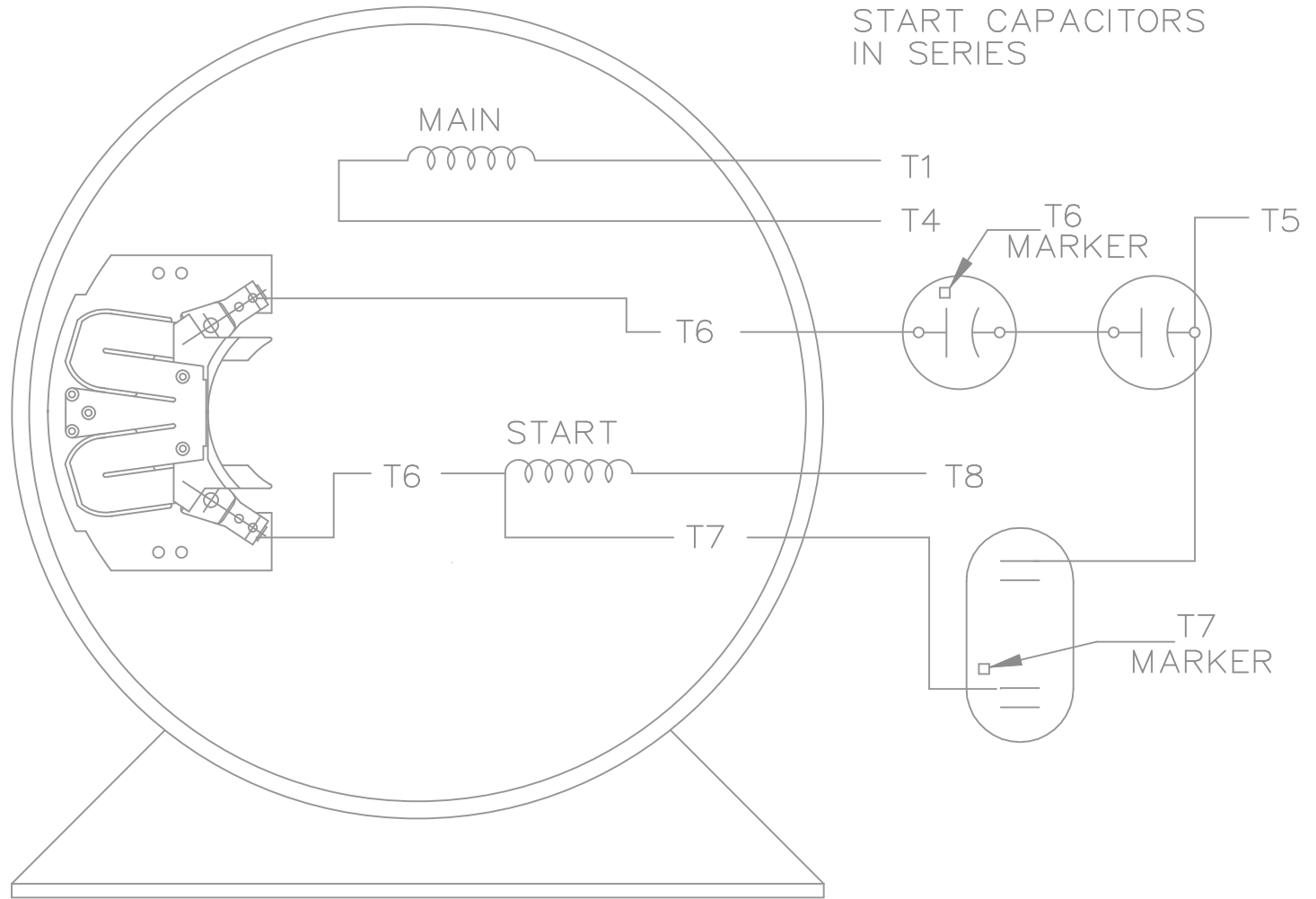
C.W. ROTATION




C.C.W. ROTATION



SINGLE VOLTAGE
CAPACITOR START
CAPACITOR RUN
REVERSIBLE



VIEW OF TERMINAL END

				TOLERANCES UNLESS SPECIFIED		 ELECTRIC MOTORS GEARMOTORS AND DRIVES	DRAWN RJM 07-25-2002			
				DEC.	INCHES		CHK			
				.X	±.1		APPD			
				.XX	±.02		SCALE 1=1			
				.XXX	±.005		REF			
1	NEW DRAWING - DES/DEV	RJM		.XXXX	±.0005	MAT'L.	FMF			
NO.	REVISION	BY & DATE	CHK	ANG	±7'30"	FINISH	PREV			
THIS DRAWING IN DESIGN AND DETAIL IS OUR PROPERTY AND MUST NOT BE USED EXCEPT IN CONNECTION WITH OUR WORK ALL RIGHTS OF DESIGN AND INVENTION ARE RESERVED THIS IS AN ELECTRONICALLY GENERATED DOCUMENT - DO NOT SCALE THIS PRINT				RFP		CAD FILE EE9048LV-LE	SIZE A	DRAWING NO. EE9048LV-LE	PAGE OF 1	REV. 1
				DIST	LB					



1051 CHEYENNE AVE.
GRAFTON, WI 53024
PH. 262-377-8810

CERTIFICATION DATA SHEET

CONN. DIAGRAM: A-EE9048LV-LE
OUTLINE: A-SS89672LE-1115
WINDING #: BK104117 2

CATALOG #: 140830.00
MOUNTING: W8

TYPICAL MOTOR PERFORMANCE DATA

HP	kW	SYNC. RPM	F.L. RPM	FRAME	ENCLOSURE	KVA CODE	DESIGN
7 1/2	5.60	1800	1733	215TVZ	DPAO	G	L

PH	Hz	VOLTS	AMPS	START TYPE	DUTY	INSL	S.F.	AMB°C
1	60	230	34.5	ACROSS THE LINE	CONTINUOUS	H3	1.15	80

FULL LOAD EFF:	84	3/4 LOAD EFF:	83.5	1/2 LOAD EFF:	82.5	GTD. EFF	ELEC. TYPE
FULL LOAD PF:	85.5	3/4 LOAD PF:	80	1/2 LOAD PF:	71	81.5	CAP START CAP RUN

F.L. TORQUE	LOCKED ROTOR AMPS	L.R. TORQUE	B.D. TORQUE	F.L. RISE°C
22.5 LB-FT	200	45 LB-FT 200 %	51.5 LB-FT 229 %	50

SOUND PRESSURE @ 3 FT.	SOUND POWER	ROTOR WK^2	MAX. WK^2	SAFE STALL TIME	STARTS / HOUR	APPROX. MOTOR WGT
0 dBA	10 dBA	0 LB-FT^2	0 LB-FT^2	0 SEC.	0	125 LBS.

***** SUPPLEMENTAL INFORMATION *****

DE BRACKET TYPE	ODE BRACKET TYPE	MOUNT TYPE	ORIENTATION	SEVERE DUTY	HAZARDOUS LOCATION	DRIP COVER	SCREENS	PAINT
STANDARD	STANDARD	RIGID	SHAFT UP	FALSE	NONE	FALSE	NONE	GRAY - LEESON (EPOXY)

BEARINGS		GREASE	SHAFT TYPE	SPECIAL DE	SPECIAL ODE	SHAFT MATERIAL	FRAME MATERIAL
DE	ODE						
BALL	BALL	DC 44M	SGL SPL EXT	SPECIAL	NONE	1045 HOT ROLLED (C-204)	ROLLED STEEL
309	206						

THERMO-PROTECTORS				THERMISTORS	CONTROL	SPACE HEATERS
THERMOSTATS	PROTECTORS	WDG RTDs	BRG RTDs			
NONE	NOT	NONE	NONE	NONE	FALSE	NONE VOLTS

*
N
O
T
E
S
*

INVERTER TORQUE: NONE
INV. HP SPEED RANGE: NONE
ENCODER: NONE NONE NONE NONE NONE PPR
BRAKE: NONE NONE NONE P/N NONE NONE NONE FT-LB NONE V NONE Hz