

PRODUCT INFORMATION PACKET



Model No: 140823.00

Catalog No: 140823.00

White Duck™ General Purpose Motor, 10 & 7.50 HP, 3 Ph, 60 & 50 Hz, 230/460 & 190/380 V,
3600 & 3000 RPM, 215TC Frame, TEFC



Regal and Leeson are trademarks of Regal Rexnord Corporation or one of its affiliated companies.

©2023 Regal Rexnord Corporation, All Rights Reserved. MC017097E



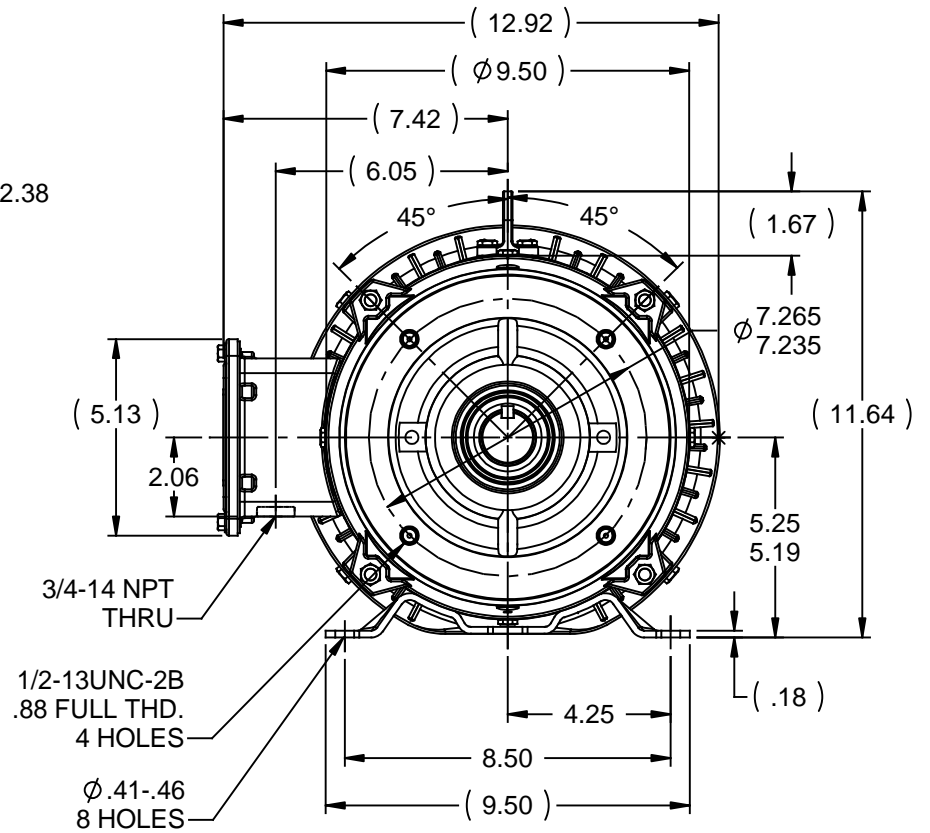
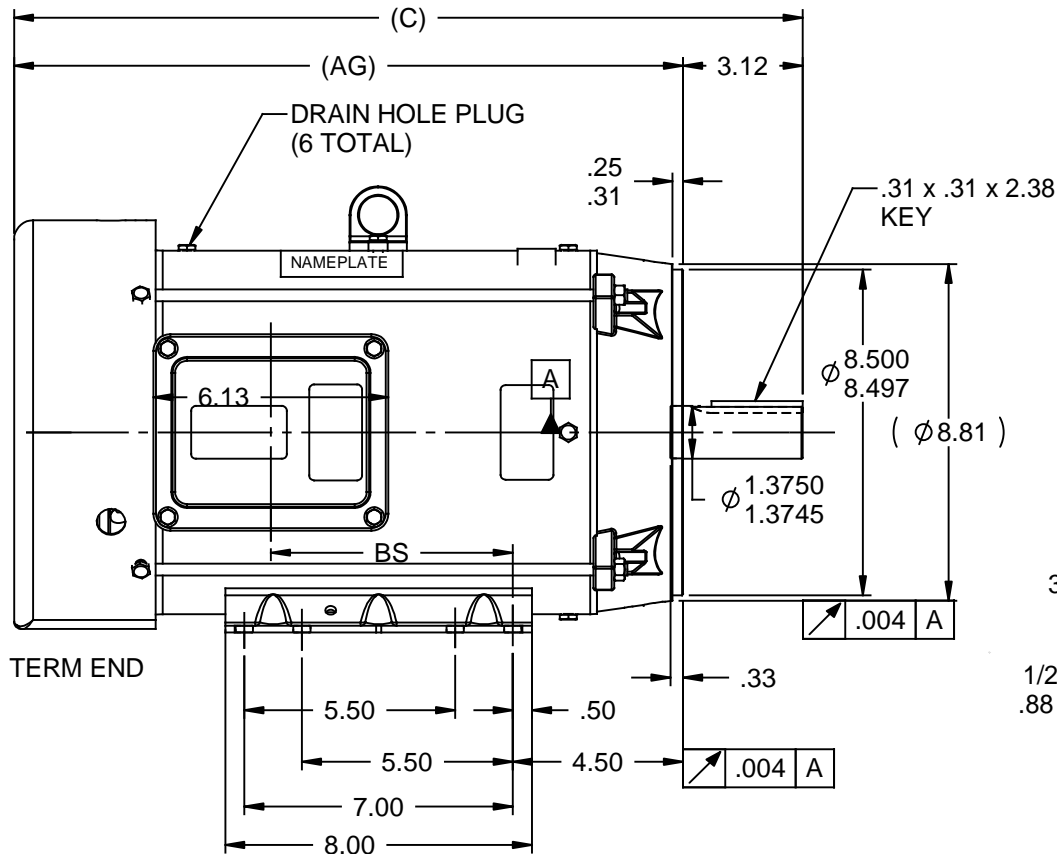


Nameplate Specifications

Phase	3	Output HP	10 & 7.50 Hp
Output KW	7.5 & 5.6 kW	Voltage	230/460 & 190/380 V
Speed	3535 & 2940 rpm	Service Factor	1.15 & 1.15
Frame	215TC	Enclosure	Totally Enclosed Fan Cooled
Thermal Protection	No Protection	Efficiency	91.7 & 90.2 %
Ambient Temperature	40 °C	Frequency	60 & 50 Hz
Current	23.6/11.8 & 22/11 A	Power Factor	87
Duty	Continuous	Insulation Class	F
Design Code	B	KVA Code	H
Drive End Bearing Size	309	Opp Drive End Bearing Size	206
UL	Recognized	CSA	Y
CE	Y	IP Code	55
Number of Speeds	1		


Technical Specifications

Electrical Type	Squirrel Cage Inverter Rated	Starting Method	Line Or Inverter
Poles	2	Rotation	Reversible
Resistance Main	.8 Ohms	Mounting	Rigid Base
Motor Orientation	Horizontal	Drive End Bearing	Ball
Opp Drive End Bearing	Ball	Frame Material	Rolled Steel
Shaft Type	T	Overall Length	21.82 in
Frame Length	12.40 in	Shaft Diameter	1.375 in
Shaft Extension	3.38 in	Assembly/Box Mounting	F1/F2 CAPABLE
Inverter Load	VARIABLE 10:1		
Outline Drawing	SS88708LE-1240	Connection Drawing	A-EE7308-LE



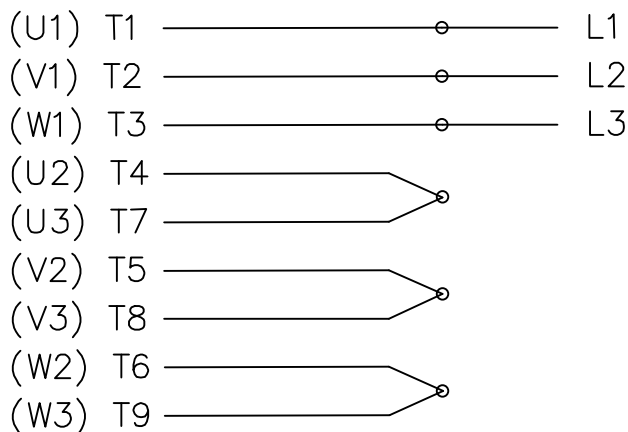
DASH	FRAME	C	BS	AG
965	213T	19.07	4.82	15.95
1115	213/15T	20.57	6.32	17.45
1240	215T	21.82	7.57	18.70

NOTES:
 1- NAMEPLATE TO BE READ FROM C'BOX SIDE OF MOTOR.
 DASH 965 TO BE READ FROM OPPOSITE SHAFT END
 2- C'BOX CAN BE MOUNTED ON OPPOSITE SIDE BY REMOVING BRACKETS AND TURNING FRAME 180 DEGREES (EXCEPT AS NOTED).

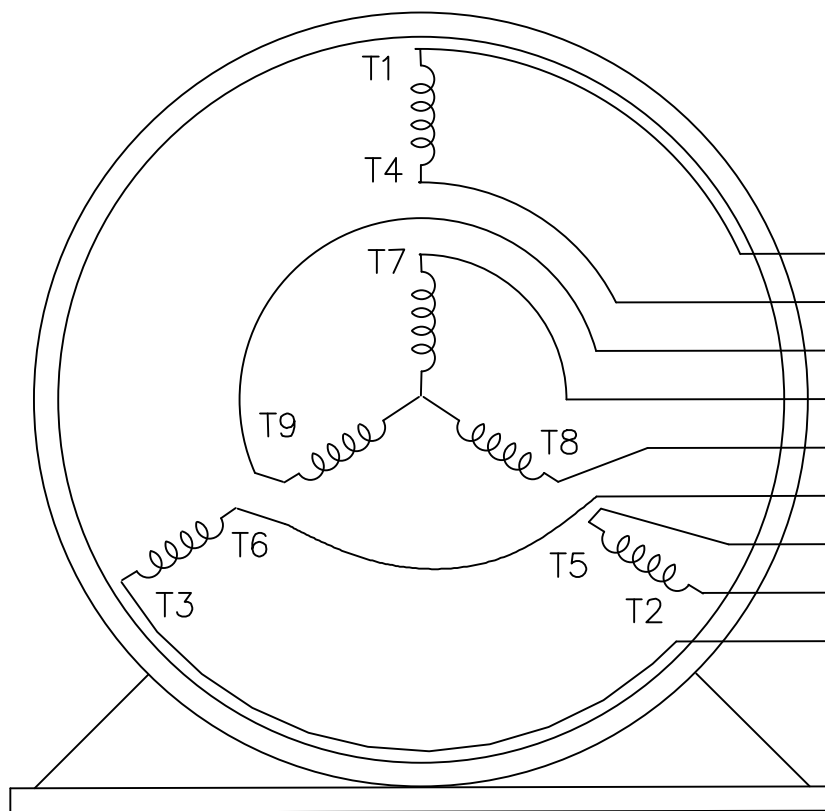
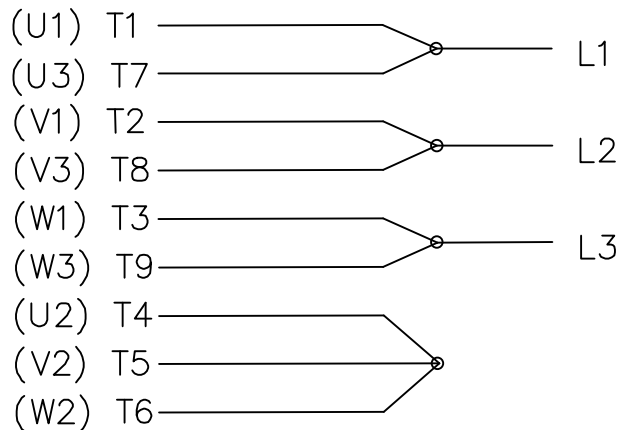
				TOLERANCES UNLESS SPECIFIED		 ELECTRIC MOTORS GEARMOTORS AND DRIVES	DRAWN RJM 09-18-2002			
				DEC	INCHES		CHK MOL 10-11-2002			
				.X	.1		APPR JPL 10-11-2002			
3	REDRAWN ON SOLIDWORKS; UPDATED C'BOX	CN 32394	DRS 09-02-2003	ML	.XX	.03	TITLE	SCALE 1:5		
2	RELOCATED NAMEPLATE	CN 36419	DRS 03-26-2003		.XXX	.005	210 FR. - TEFC - C'FACE - 3 PHASE	REF		
1	NEW DRAWING	DES/DEV	RJM 10-11-2002		.XXXX	.0005	MAT'L	FMF		
NO	REVISION		BY & DATE	CHK	ANG	7'30"	FINISH	PREV		
THIS DRAWING IN DESIGN AND DETAIL IS OUR PROPERTY AND MUST NOT BE USED EXCEPT IN CONNECTION WITH OUR WORK. ALL RIGHTS OF DESIGN AND INVENTION ARE RESERVED. THIS IS AN ELECTRONICALLY GENERATED DOCUMENT - DO NOT SCALE THIS PRINT				RFP	CAD FILE SS88708LE			SIZE	DRAWING NO	REV
				DIST	LB - LE			A	SS88708LE	3

THREE PHASE
DUAL VOLTAGE MOTOR

HIGH VOLTAGE



LOW VOLTAGE




- T1 (U1)
- T4 (U2)
- T9 (W3)
- T7 (U3)
- T8 (V3)
- T6 (W2)
- T5 (V2)
- T2 (V1)
- T3 (W1)

VIEW OF TERMINAL END

REF.
WINDING DIAGRAM

T8Y, T2Y, T2BL, T4BX, T2EC, T2G
T6BZ, T2B, T6BL, T4AV, T6B, T4B

				TOLERANCES UNLESS SPECIFIED			ELECTRIC MOTORS GEARMOTORS AND DRIVES	DRAWN HLB 04-29-2002		
				DEC.	INCHES			CHK ML 05-03-2002		
				.X	±.1			APPD GK 05-03-2002		
				.XX	±.01			SCALE 1=1		
2	ADDED IEC NOTATIONS... (U1), (V1) ETC. (MU105786)	REP 01-11-2012	DR	.XXX	±.005	TITLE CONNECTION DIAGRAM 3Ø - DUAL VOLTAGE MOTOR		REF		
1	NEW DRAWING	HLB 05-03-2002	ML	.XXXX	±.0005	MAT'L.		FMF		
NO.	REVISION	BY & DATE	CHK	ANG	±1/2'	FINISH		PREV		
THIS DRAWING IN DESIGN AND DETAIL IS OUR PROPERTY AND MUST NOT BE USED EXCEPT IN CONNECTION WITH OUR WORK ALL RIGHTS OF DESIGN AND INVENTION ARE RESERVED THIS IS AN ELECTRONICALLY GENERATED DOCUMENT - DO NOT SCALE THIS PRINT				RFP	CAD FILE EE7308-LE		SIZE	DRAWING NO.	PAGE OF	REV.
				DIST	LB-WP	A	EE7308-LE		2	



CERTIFICATION DATA SHEET

**1051 CHEYENNE AVE.
GRAFTON, WI 53024
PH. 262-377-8810**

CATALOG #: 140823.00

CONN. DIAGRAM: A-EE7308-LE

OUTLINE: SS88708LE-1240

MOUNTING: F1/F2 CAPABLE

WINDING #: K215295 R8 6

TYPICAL MOTOR PERFORMANCE DATA

HP	kW	SYNC. RPM	F.L. RPM	FRAME	ENCLOSURE	KVA CODE	DESIGN
10&7 1/2	7.50&5.60	3600	3535&2940	215TC	TEFC	H	B

PH	Hz	VOLTS	AMPS	START TYPE	DUTY	INSL	S.F.	AMB°C
3	60/50	230/460&190/380	23.6/11.8&22/11	LINE OR INVERTER	CONTINUOUS	F4	1.15/1.15	40

FULL LOAD EFF:	91.7&90.2	3/4 LOAD EFF:	92.4	1/2 LOAD EFF:	91.7	GTD. EFF	90.2	ELEC. TYPE	SQ CAGE INV RATED
FULL LOAD PF:	87&87	3/4 LOAD PF:	86	1/2 LOAD PF:	78.5				

F.L. TORQUE	LOCKED ROTOR AMPS	L.R. TORQUE	B.D. TORQUE	F.L. RISE°C
14.9 LB-FT	160 / 80	30 LB-FT 201 %	46 LB-FT 309 %	45

SOUND PRESSURE @ 3 FT.	SOUND POWER	ROTOR WK^2	MAX. WK^2	SAFE STALL TIME	STARTS / HOUR	APPROX. MOTOR WGT
72 dBA	82 dBA	0.65 LB-FT^2	18 LB-FT^2	15 SEC.	2	140 LBS.

***** SUPPLEMENTAL INFORMATION *****

DE BRACKET TYPE	ODE BRACKET TYPE	MOUNT TYPE	ORIENTATION	SEVERE DUTY	HAZARDOUS LOCATION	DRIP COVER	SCREENS	PAINT
C-FACE	STANDARD	RIGID	HORIZONTAL	FALSE	NONE	FALSE	NONE	WHITE - LEESON (EPOXY)

BEARINGS		GREASE	SHAFT TYPE	SPECIAL DE	SPECIAL ODE	SHAFT MATERIAL	FRAME MATERIAL
DE	ODE						
BALL	BALL	POLYREX EM	T	NONE	NONE	303 STAINLESS (C-501)	ROLLED STEEL
309	206						

THERMO-PROTECTORS				THERMISTORS	CONTROL	SPACE HEATERS
THERMOSTATS	PROTECTORS	WDG RTDs	BRG RTDs			
NONE	NOT	NONE	NONE	NONE	FALSE	NONE VOLTS

*
N
O
T
E
S

INVERTER TORQUE: VARIABLE 10:1
INV. HP SPEED RANGE: NONE
ENCODER: NONE
NONE NONE
NONE NONE PPR
BRAKE: NONE NONE
NONE P/N NONE
NONE NONE
NONE FT-LB NONE V NONE Hz

Data Sheet

Date: 1/22/2018

140823.00



Data @ 460 V

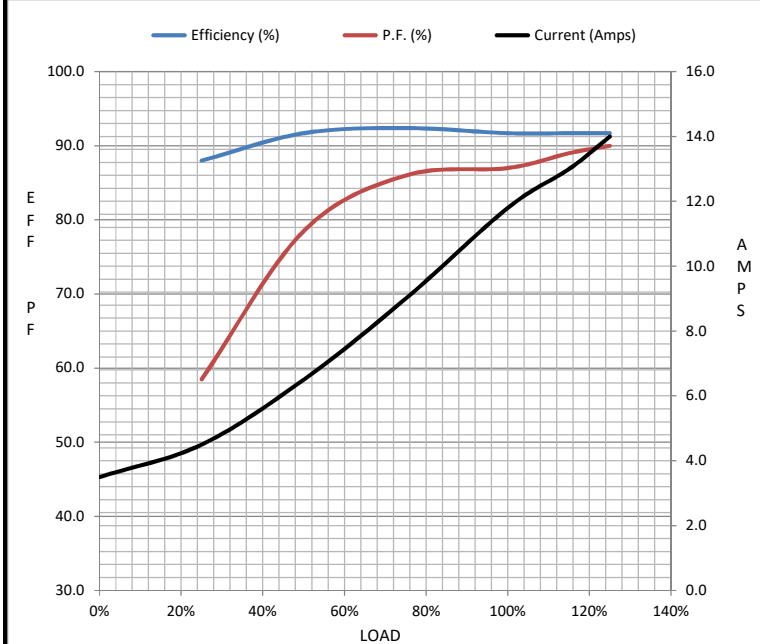
Motor Load Data

Load	0%	25%	50%	75%	100%	115%	125%	LR
Current (Amps)	3.5	4.5	6.5	9.0	11.8	13.0	14.0	80.0
Torque (ft-lb)	0.00	3.5	7.5	11.0	14.9	17.0	18.5	30.0
RPM	3600	3585	3570	3555	3535	3,530	3525	0
Efficiency (%)		88.0	91.7	92.4	91.7	91.7	91.7	
P.F. (%)	8.5	58.5	78.5	86.0	87.0	89.0	90.0	40.0

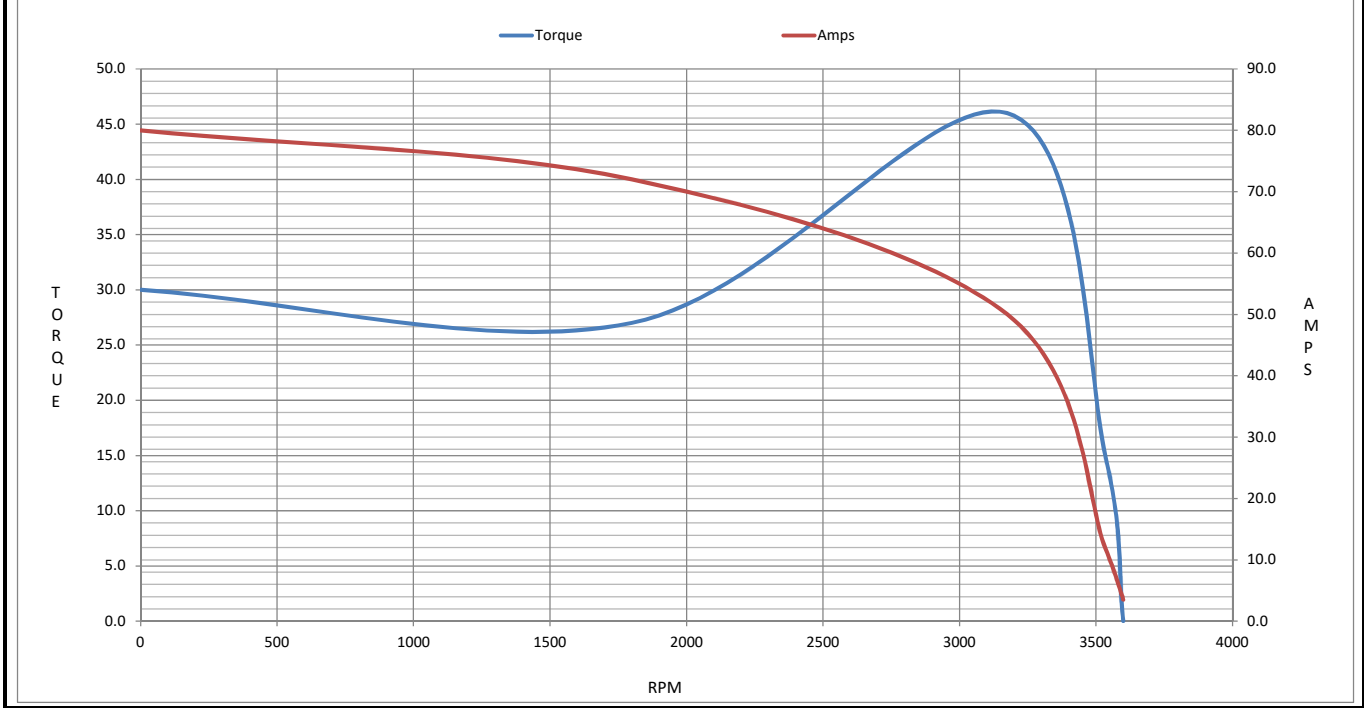
Motor Speed Data

	LR	Pull-Up	BD	Rated	Idle
Speed (RPM)	0	1800	3175	3535	3600
Current (Amps)	80.0	72.0	50.0	11.8	3.5
Torque (ft-lb)	30.0	27.0	46.0	14.9	0.00

Information Block				
HP	10.0			
Sync. RPM	3600			
Frame	215			
Enclosure	TEFC			
Construction	TFW			
Voltage	230/460#190/380 V			
Frequency	60 Hz			
Design	B			
LR Code letter	H			
Service Factor	1.15			
Temp Rise @ FL	50 °C			
Duty	CONT			
Ambient	40 °C			
Elevation	1,000 feet			
Rotor/Shaft wk ²	0.65 Lb-Ft ²			
Ref Wdg	K215295 R8			
Sound Pressure @ 1M	72 dBA			
VFD Rating	VARIABLE 10:1			
Outline Dwg	SS88708LE-1240			
Conn. Diag	A-EE7308-LE			
Additional Specifications:				
0				
0				
EQUIV CKT (OHMS / PHASE)				
R1	R2	X1	X2	Xm
0.5230	0.3980	1.8060	2.0620	72.1360



Speed - Torque Curve



EC Declaration of Conformity

The undersigned representing
the manufacturer:

Regal Beloit America
100 East Randolph St.
Wausau, WI 54401

and the authorized representative
established within the Community:

Marathon Electric UK
6F Thistleton Road Ind. Estate
Market Overton
Oakham, Rutland LE15 7PP UK

are committed to providing customers with products that comply with applicable regulations and international protocols to which they are subject, including the requirements of the European Parliament Directive on the Harmonization of the laws relating to electrical equipment designed for use within certain voltage limits (2014/35/EU).

Regal Beloit America declares that the following product(s), to which this declaration relates, are in conformity with the relevant sections of the EC standards listed below.

This statement supersedes any statements previously issued pertaining to the product(s) listed below and is subject to change without notice.

Model No : 140823.00

(Model No. may contain prefix and/or suffix characters)

Catalog No : 140823.00

Rework No : N/A

Directives :

Low Voltage Directive 2014/35/EU

Harmonized Standards Used :

EN 60034-1: 2010 (IEC 60034-1: 2010)

EN 60034-5: 2001/A1:2007 (IEC 60034-5: 2000/A1:2006)

Authorized Representative:



Michael A. Logsdon
Vice President, Technology

Authorized Representative in the Community:



Julian Clark
Marketing Engineer

Created on 09/01/2022

CE 22