

PRODUCT INFORMATION PACKET



Model No: 140822.00

Catalog No: 140822.00

White Duck™ General Purpose Motor, 7.50 & 7.50 HP, 3 Ph, 60 & 50 Hz, 230/460 & 190/380 V,
1800 & 1500 RPM, 213TC Frame, TEFC



Regal and Leeson are trademarks of Regal Rexnord Corporation or one of its affiliated companies.

©2023 Regal Rexnord Corporation, All Rights Reserved. MC017097E



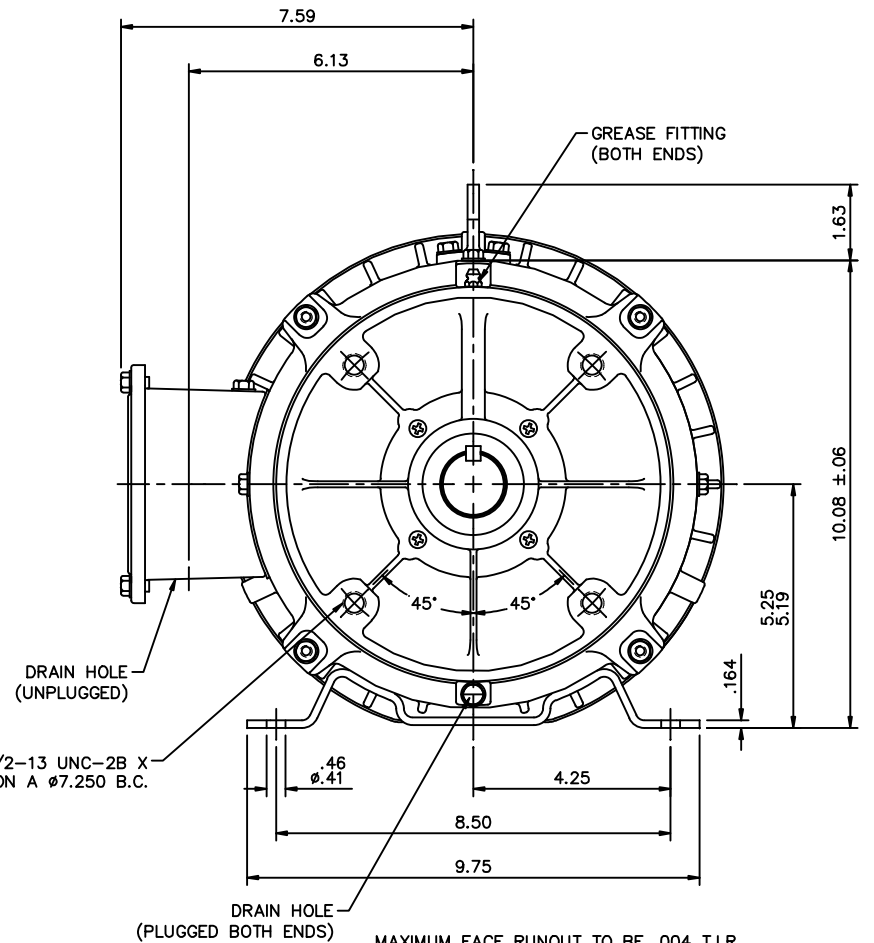
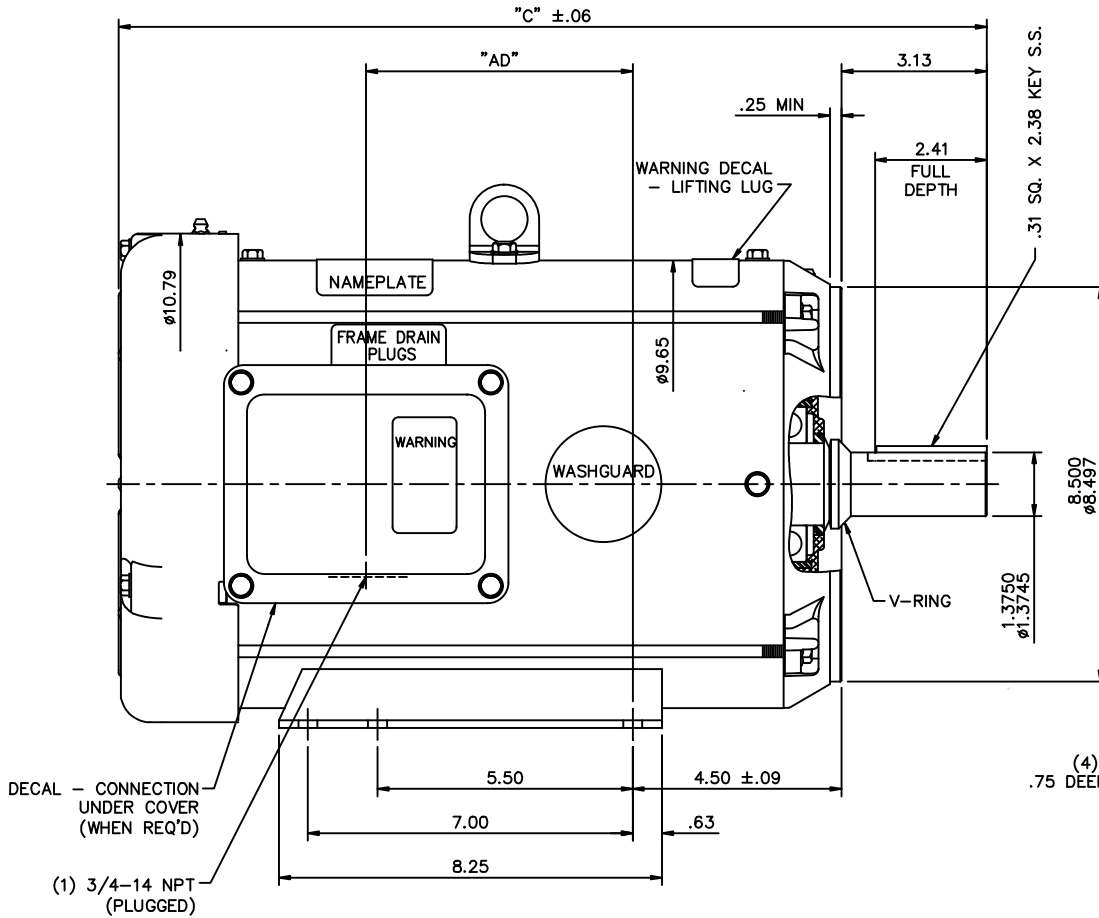


Nameplate Specifications

Phase	3	Output HP	7.50 & 7.50 Hp
Output KW	5.6 & 5.6 kW	Voltage	230/460 & 190/380 V
Speed	1765 & 1460 rpm	Service Factor	1.25 & 1.25
Frame	213TC	Enclosure	Totally Enclosed Fan Cooled
Thermal Protection	No Protection	Efficiency	91.7 & 89.5 %
Ambient Temperature	40 °C	Frequency	60 & 50 Hz
Current	22.4-21.6/10.8 & 24.8/12.4 A	Power Factor	72
Duty	Continuous	Insulation Class	F
Design Code	B	KVA Code	J
Drive End Bearing Size	6209	Opp Drive End Bearing Size	6206
UL	Recognized	CSA	Y
CE	Y	IP Code	55
Number of Speeds	1		

Technical Specifications

Electrical Type	Squirrel Cage Induction Run	Starting Method	Across The Line
Poles	4	Rotation	Reversible
Resistance Main	.88 Ohms	Mounting	Rigid Base
Motor Orientation	Horizontal	Drive End Bearing	Ball
Opp Drive End Bearing	Ball	Frame Material	Rolled Steel
Shaft Type	T	Overall Length	18.71 in
Frame Length	12.00 in	Shaft Diameter	1.375 in
Shaft Extension	3.38 in	Assembly/Box Mounting	F1 ONLY
Connection Drawing	005010.01	Outline Drawing	037608-1200



DECAL - CONNECTION UNDER COVER (WHEN REQ'D)
 (1) 3/4-14 NPT (PLUGGED)

(4) 1/2-13 UNC-2B X .75 DEEP ON A Ø7.250 B.C.

MAXIMUM FACE RUNOUT TO BE .004 T.I.R.
 MAXIMUM PILOT ECCENTRICITY TO BE .004 T.I.R.
 PERMISSIBLE SHAFT RUNOUT TO BE .002 T.I.R.
 ALIGN BASE TO C-FACE MOUNTING HOLES WITHIN ±1/16"

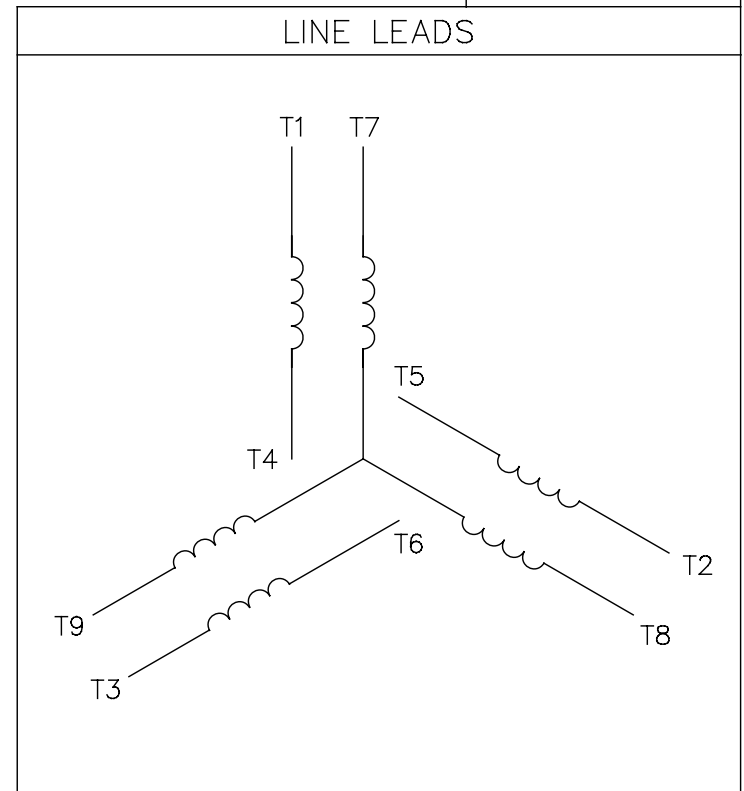
SPECIAL FEATURES:
 BUNA-N GASKETS THROUGHOUT
 SHAFT SEALS - BOTH ENDS OF MOTOR
 V-RING AT SHAFT END OF MOTOR
 STAINLESS STEEL SHAFT, NAMEPLATE & HARDWARE

DASH NO.	"C"	"AD"
1100	17.71	4.75
1150	18.21	5.25
1200	18.71	5.75
1250	19.21	6.25
1300	19.71	6.75
1350	20.21	7.25

		TOLERANCES UNLESS SPECIFIED		LEESON ELECTRIC MOTORS GEARMOTORS AND DRIVES		DRAWN RDW 2/19/03	
		DEC.	INCHES			CHK	
02	UPDATED PER ISAAC 10-0580	LST	5/11/10	.X	±.1	APPD SW 2/19/03	
01	ADDED: WARNING DECAL - LIFTING LUG & WARNING DECAL - WITH/OUT PROTECTOR; REMOVED: DECAL - WIRING INSTRUCTION	KVN	4/6/2010	.XX	±.03	SCALE 3=8	
NAMEPLATE - was- TV SCREEN STYLE (080884.01)				.XXX	±.005	REF	
NO. REVISION		BY & DATE		.XXXX	±.0005	FMF	
THIS DRAWING IN DESIGN AND DETAIL IS OUR PROPERTY AND MUST NOT BE USED EXCEPT IN CONNECTION WITH OUR WORK ALL RIGHTS OF DESIGN AND INVENTION ARE RESERVED THIS IS AN ELECTRONICALLY GENERATED DOCUMENT - DO NOT SCALE THIS PRINT		CHK	ANG	±1/2'	FINISH	PREV	
		RFP	2/19/03	CAD FILE	037608	SIZE B	DRAWING NO. 037608
		DIST					REV. 02

005010-01

VIEW FROM OUTSIDE OF MOTOR AT SWITCH END.



VOLTAGE	L1	L2	L3	JOIN & INSULATE
HIGH	T1	T2	T3	(T4,T7) (T5,T8) (T6,T9)
LOW	T1,T7	T2,T8	T3,T9	T4,T5,T6

				TOLERANCES UNLESS SPECIFIED		REGAL ™ Regal Beloit America, Inc.		DRAWN RDW 04/12/02		
				DEC.	INCHES			CHK		
				.X	±.1			APPD		
				.XX	±.01			SCALE 1=1		
				.XXX	±.005	TITLE		REF FIG.2-51		
A	UPDATED TO REGAL LOGO		SAJ 06/26/15	AJY .XXXX	±.0005	MAT'L.		FMF		
NO.	REVISION		BY & DATE	CHK	ANG ±1/2"	FINISH		PREV		
THIS DRAWING IN DESIGN AND DETAIL IS OUR PROPERTY AND MUST NOT BE USED EXCEPT IN CONNECTION WITH OUR WORK ALL RIGHTS OF DESIGN AND INVENTION ARE RESERVED THIS IS AN ELECTRONICALLY GENERATED DOCUMENT - DO NOT SCALE THIS PRINT				RFP	04/12/02	CAD FILE		SIZE	DRAWING NO.	REV.
				DIST	BRF-NLV	00501001		A	005010-01	A



**1051 CHEYENNE AVE.
GRAFTON, WI 53024
PH. 262-377-8810**

CATALOG #: 140822.00

CONN. DIAGRAM: 005010.01

OUTLINE: 037608-1200

MOUNTING: F1 ONLY

WINDING #: T9495 FR 3 A

TYPICAL MOTOR PERFORMANCE DATA

HP	kW	SYNC. RPM	F.L. RPM	FRAME	ENCLOSURE	KVA CODE	DESIGN
7 1/2 & 7 1/2	5.60 & 5.60	1800	1765 & 1460	213TC	TEFC	J	B

PH	Hz	VOLTS	AMPS	START TYPE	DUTY	INSL	S.F.	AMB°C
3	60/50	230/460 & 190/380	22.4-21.6/10.8 & 24.8/12.4	ACROSS THE LINE	CONTINUOUS	F4	1.25/1.25	40

FULL LOAD EFF:	91.7 & 89.5	3/4 LOAD EFF:	90.4	1/2 LOAD EFF:	88.4	GTD. EFF	90.2	ELEC. TYPE	SQ CAGE IND RUN
FULL LOAD PF:	72 & 62	3/4 LOAD PF:	64.8	1/2 LOAD PF:	52.5				

F.L. TORQUE	LOCKED ROTOR AMPS	L.R. TORQUE	B.D. TORQUE	F.L. RISE°C
22.3 LB-FT	146 / 73	50 LB-FT 225 %	64.2 LB-FT 289 %	43

SOUND PRESSURE @ 3 FT.	SOUND POWER	ROTOR WK^2	MAX. WK^2	SAFE STALL TIME	STARTS / HOUR	APPROX. MOTOR WGT
60 dBA	70 dBA	0.97 LB-FT^2	1 LB-FT^2	15 SEC.	2	0 LBS.

***** SUPPLEMENTAL INFORMATION *****

DE BRACKET TYPE	ODE BRACKET TYPE	MOUNT TYPE	ORIENTATION	SEVERE DUTY	HAZARDOUS LOCATION	DRIP COVER	SCREENS	PAINT
C-FACE	STANDARD	RIGID	HORIZONTAL	FALSE	NONE	FALSE	NONE	WHITE - LEESON (EPOXY)

BEARINGS		GREASE	SHAFT TYPE	SPECIAL DE	SPECIAL ODE	SHAFT MATERIAL	FRAME MATERIAL
DE	ODE						
BALL	BALL	POLYREX EM	T	NONE	NONE	303 STAINLESS	ROLLED STEEL
6209	6206						

THERMO-PROTECTORS				THERMISTORS	CONTROL	SPACE HEATERS
THERMOSTATS	PROTECTORS	WDG RTDs	BRG RTDs			
NONE	NOT	NONE	NONE	NONE	FALSE	NONE VOLTS

*
N
O
T
E
S

INVERTER TORQUE: NONE
INV. HP SPEED RANGE: NONE
ENCODER: NONE
NONE NONE
NONE NONE PPR
BRAKE: NONE NONE
NONE P/N NONE
NONE NONE
NONE FT-LB NONE V NONE Hz

Data Sheet

Date: 1/19/2018

140822.00



Data @ **460 V**

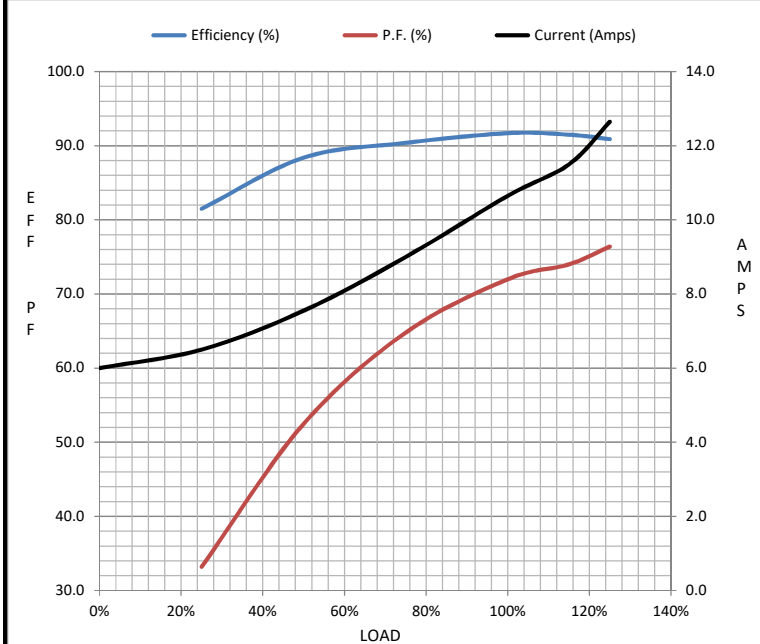
Motor Load Data

Load	0%	25%	50%	75%	100%	115%	125%	LR
Current (Amps)	6.0	6.5	7.6	9.0	10.7	11.5	12.7	73.0
Torque (ft-lb)	0.00	5.5	11.0	16.6	22.3	24.5	27.9	50.0
RPM	1800	1794	1787	1780	1770	1.768	1765	0
Efficiency (%)		81.5	88.4	90.4	91.7	91.5	90.9	
P.F. (%)	6.2	33.2	52.5	64.8	72.0	74.0	76.4	0.0

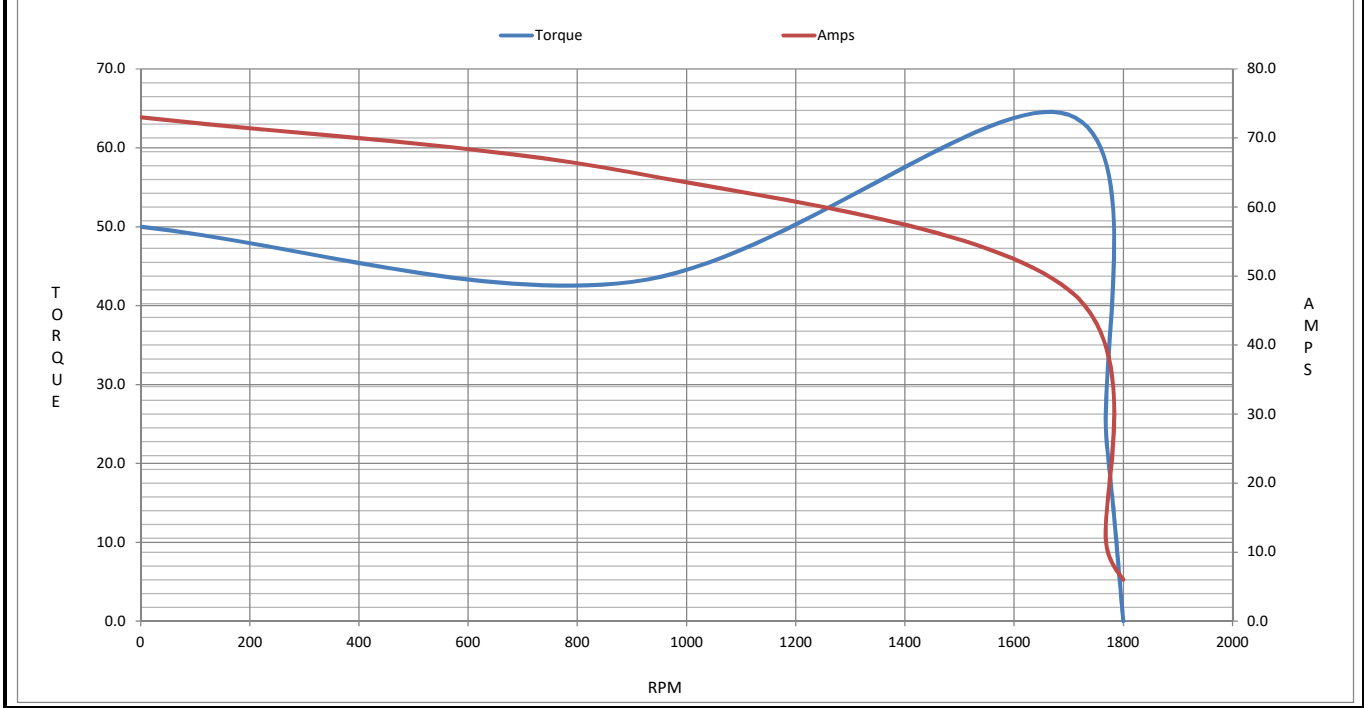
Motor Speed Data

	LR	Pull-Up	BD	Rated	Idle
Speed (RPM)	0	900	1700	1770	1800
Current (Amps)	73.0	65.0	48.0	10.7	6.0
Torque (ft-lb)	50.0	43.0	64.2	22.3	0.00

Information Block				
HP	7.5			
Sync. RPM	1800			
Frame	210			
Enclosure	TEFC			
Construction	TFW			
Voltage	230/460#190/380 V			
Frequency	60 Hz			
Design	B			
LR Code letter	J			
Service Factor	1.15			
Temp Rise @ FL	43 °C			
Duty	CONT			
Ambient	40 °C			
Elevation	1,000 feet			
Rotor/Shaft wk ²	0.97 Lb-Ft ²			
Ref Wdg	T9495 FR			
Sound Pressure @ 1M	60 dBA			
VFD Rating	NONE			
Outline Dwg	037608-1200			
Conn. Diag	005010.01			
Additional Specifications:				
0				
0				
EQUIV CKT (OHMS / PHASE)				
R1	R2	X1	X2	Xm
0.0000	0.0000	0.0000	0.0000	0.0000



Speed - Torque Curve



EC Declaration of Conformity

The undersigned representing
the manufacturer:

Regal Beloit America
100 East Randolph St.
Wausau, WI 54401

and the authorized representative
established within the Community:

Marathon Electric UK
6F Thistleton Road Ind. Estate
Market Overton
Oakham, Rutland LE15 7PP UK

are committed to providing customers with products that comply with applicable regulations and international protocols to which they are subject, including the requirements of the European Parliament Directive on the Harmonization of the laws relating to electrical equipment designed for use within certain voltage limits (2014/35/EU).

Regal Beloit America declares that the following product(s), to which this declaration relates, are in conformity with the relevant sections of the EC standards listed below.

This statement supersedes any statements previously issued pertaining to the product(s) listed below and is subject to change without notice.

Model No : 140822.00

(Model No. may contain prefix and/or suffix characters)

Catalog No : 140822.00

Rework No : N/A

Directives :

Low Voltage Directive 2014/35/EU

Harmonized Standards Used :

EN 60034-1: 2010 (IEC 60034-1: 2010)

EN 60034-5: 2001/A1:2007 (IEC 60034-5: 2000/A1:2006)

Authorized Representative:



Michael A. Logsdon
Vice President, Technology

Authorized Representative in the Community:



Julian Clark
Marketing Engineer

Created on 09/01/2022

CE 22