

# PRODUCT INFORMATION PACKET



Model No: 140747.00

Catalog No: 140747.00

General Purpose Motor, 2 HP, 1 Ph, 60 Hz, 115/208-230 V, 1200 RPM, 215T Frame, TEFC



Regal and Leeson are trademarks of Regal Rexnord Corporation or one of its affiliated companies.

©2022 Regal Rexnord Corporation, All Rights Reserved. MC017097E



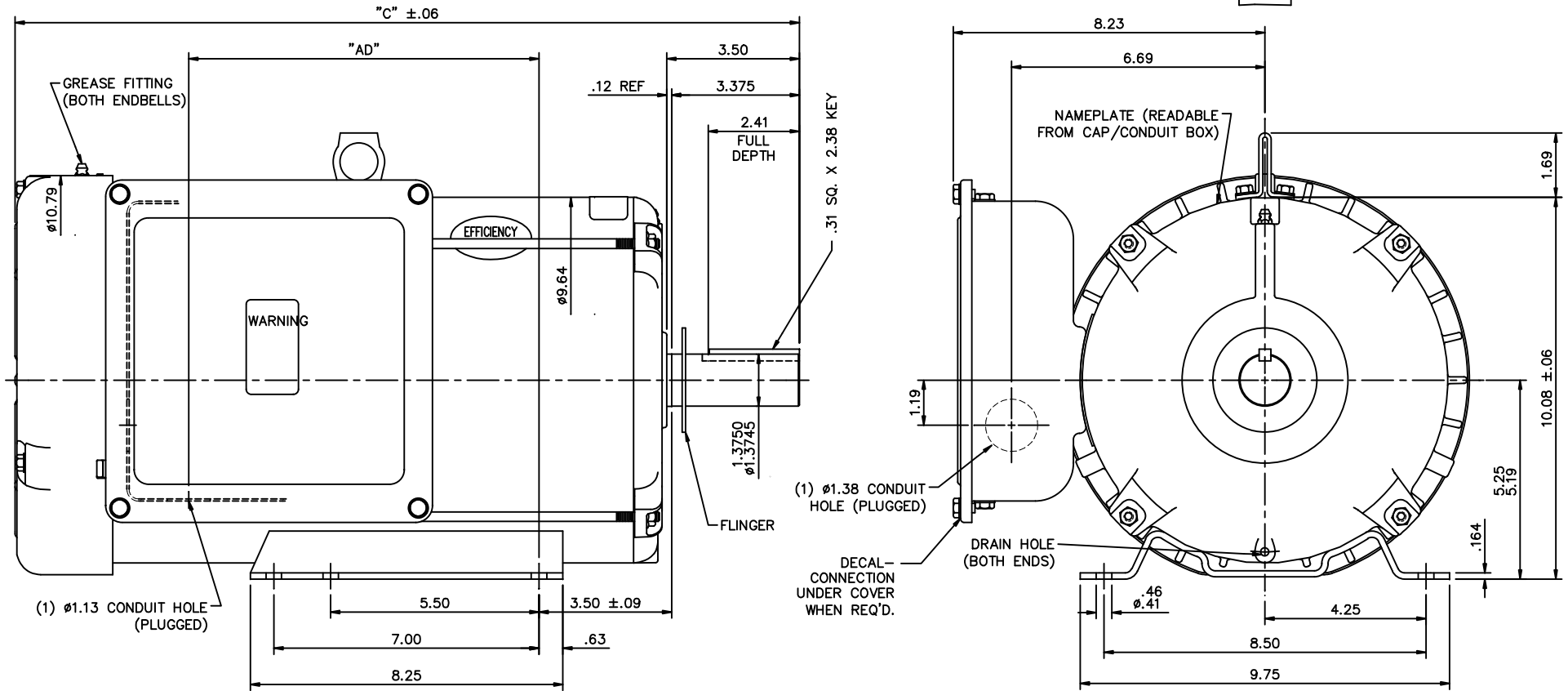


### Nameplate Specifications

Output HP	<b>2 Hp</b>	Output KW	<b>1.5 kW</b>
Frequency	<b>60 Hz</b>	Voltage	<b>115/208-230 V</b>
Current	<b>22.4/11.6-11.2 A</b>	Speed	<b>1140 rpm</b>
Service Factor	<b>1.15</b>	Phase	<b>1</b>
Efficiency	<b>77 %</b>	Power Factor	<b>75</b>
Duty	<b>Continuous</b>	Insulation Class	<b>F</b>
Design Code	<b>L</b>	KVA Code	<b>J</b>
Frame	<b>215T</b>	Enclosure	<b>Totally Enclosed Fan Cooled</b>
Thermal Protection	<b>No Protection</b>	Ambient Temperature	<b>40 °C</b>
Drive End Bearing Size	<b>6207</b>	Opp Drive End Bearing Size	<b>6206</b>
UL	<b>Recognized</b>	CSA	<b>Y</b>
CE	<b>Y</b>	IP Code	<b>43</b>
Number of Speeds	<b>1</b>		

### Technical Specifications

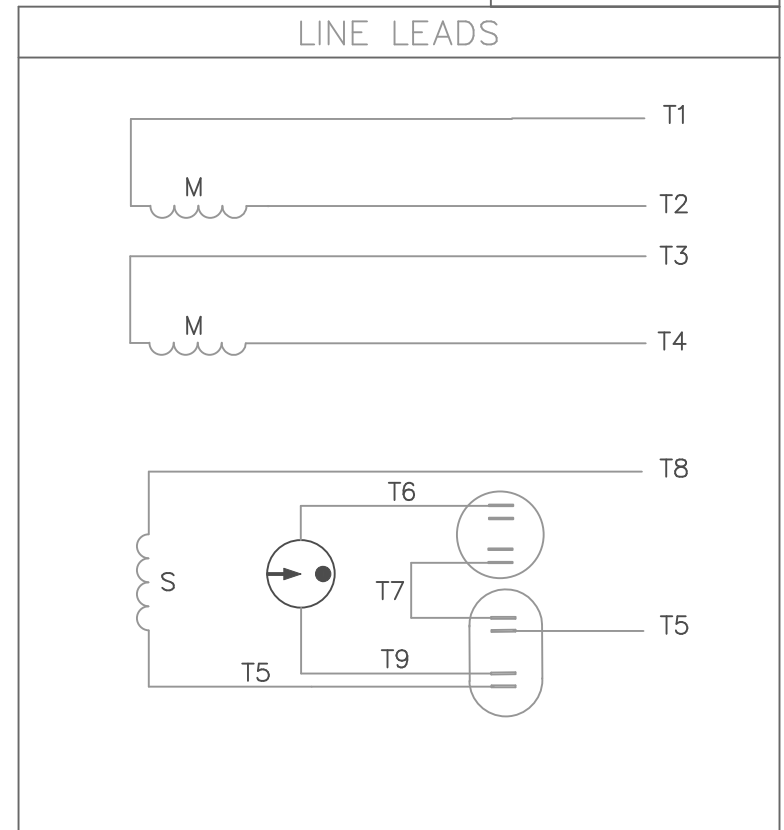
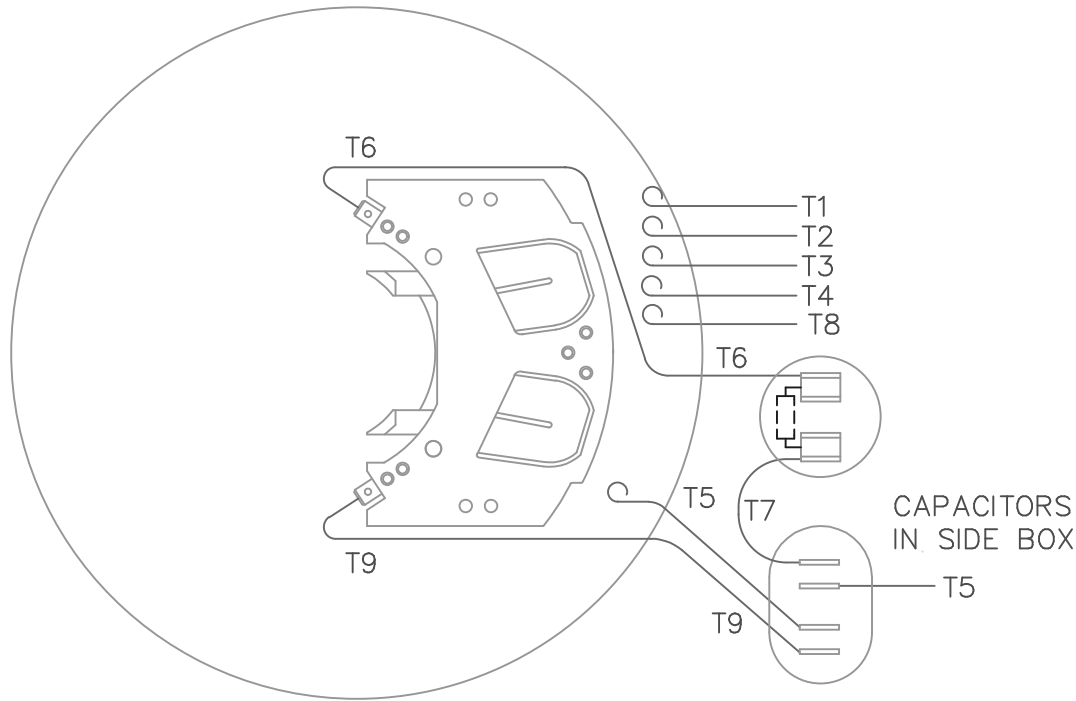
Electrical Type	<b>Capacitor Start Capacitor Run</b>	Starting Method	<b>Across The Line</b>
Poles	<b>6</b>	Rotation	<b>Selective Counterclockwise</b>
Resistance Main	<b>.67 Ohms</b>	Mounting	<b>Rigid Base</b>
Motor Orientation	<b>Horizontal</b>	Drive End Bearing	<b>Ball</b>
Opp Drive End Bearing	<b>Ball</b>	Frame Material	<b>Rolled Steel</b>
Shaft Type	<b>T</b>	Overall Length	<b>18.71 in</b>
Frame Length	<b>12.00 in</b>	Shaft Diameter	<b>1.375 in</b>
Shaft Extension	<b>3.38 in</b>	Assembly/Box Mounting	<b>F1 ONLY</b>
Outline Drawing	<b>037601-1200</b>	Connection Drawing	<b>005054.18</b>



DASH NO.	"C"	"AD"
1200	18.71	7.25
1250	19.21	7.75
1300	19.71	8.25
1350	20.21	8.75
1400	20.71	9.25
1450	21.21	9.75
1500	21.71	10.25

NO.		REVISION	BY & DATE	CHK	ANG	±1/2"	FINISH	TITLE		SCALE	REV.
THIS DRAWING IN DESIGN AND DETAIL IS OUR PROPERTY AND MUST NOT BE USED EXCEPT IN CONNECTION WITH OUR WORK ALL RIGHTS OF DESIGN AND INVENTION ARE RESERVED THIS IS AN ELECTRONICALLY GENERATED DOCUMENT - DO NOT SCALE THIS PRINT				RFP	10/21/02		CAD FILE	037601	ELECTRIC MOTORS GEARMOTORS AND DRIVES		3=8
				DIST	NLV			LEESON			037601
								ELECTRIC MOTORS GEARMOTORS AND DRIVES			
								OUTLINE - 210T FRAME TEFC - RIGID			
								GENERAL PURPOSE			
								GASKETS THROUGHOUT			
								DRAWN RDW 10/21/02			
								CHK			
								APPD SW 10/21/02			
								REF			
								FMF			
								PREV			
								DRAWING NO.			
								B			
								037601			

VIEW FROM OUTSIDE OF MOTOR AT SWITCH END.



	ROTATION FACING LEAD END	L1	L2	JOIN
HIGH VOLT	C.C.W.	T1	T4 T5	T2,T3 T8
	C.W.	T1	T4 T8	T2,T3 T8
LOW VOLT	C.C.W.	T1 T3,T8	T2,T4 T5	
	C.W.	T1,T3 T8	T2,T4 T8	

		TOLERANCES UNLESS SPECIFIED	
		DEC.	INCHES
		.X	±.1
		.XX	±.01
		.XXX	±.005
		.XXXX	±.0005
NO.	REVISION	BY & DATE	CHK
			ANG ±1/2'



ELECTRIC MOTORS  
GEARMOTORS  
AND DRIVES

DRAWN	JGO 04/08/04
CHK	
APPD	
SCALE	1=1
REF	
FMF	
PREV	

TITLE	EXTERNAL WIRING DIAGRAM TYPE "K" W/O PROTECTOR
MAT'L.	DECAL - 004012
FINISH	

THIS DRAWING IN DESIGN AND DETAIL IS OUR PROPERTY AND MUST NOT BE USED EXCEPT IN CONNECTION WITH OUR WORK ALL RIGHTS OF DESIGN AND INVENTION ARE RESERVED THIS IS AN ELECTRONICALLY GENERATED DOCUMENT - DO NOT SCALE THIS PRINT		RFP	CAD FILE	00505418	SIZE	DRAWING NO.	REV.
		DIST			A	005054-18	



**CERTIFICATION DATA SHEET**

**1051 CHEYENNE AVE.  
GRAFTON, WI 53024  
PH. 262-377-8810**

**CONN. DIAGRAM:** 005054.18

**CATALOG #:** 140747.00

**OUTLINE:** 037601-1200

**MOUNTING:** F1 ONLY

**WINDING #:** K966 3 A

**TYPICAL MOTOR PERFORMANCE DATA**

HP	kW	SYNC. RPM	F.L. RPM	FRAME	ENCLOSURE	KVA CODE	DESIGN
2	1.49	1200	1140	215T	TEFC	J	L

PH	Hz	VOLTS	AMPS	START TYPE	DUTY	INSL	S.F.	AMB°C
1	60	115/208-230	22.4/11.6-11.2	ACROSS THE LINE	CONTINUOUS	F4	1.15	40

FULL LOAD EFF:	77	3/4 LOAD EFF:	75.1	1/2 LOAD EFF:	69	GTD. EFF	ELEC. TYPE
FULL LOAD PF:	75	3/4 LOAD PF:	69.5	1/2 LOAD PF:	59.9	74	CAP START CAP RUN

F.L. TORQUE	LOCKED ROTOR AMPS	L.R. TORQUE	B.D. TORQUE	F.L. RISE°C
8.94 LB-FT	130 / 65	24 LB-FT 267 %	23 LB-FT 256 %	50

SOUND PRESSURE @ 3 FT.	SOUND POWER	ROTOR WK^2	MAX. WK^2	SAFE STALL TIME	STARTS / HOUR	APPROX. MOTOR WGT
0 dBA	10 dBA	0.801 LB-FT^2	0.8 LB-FT^2	0 SEC.	0	118 LBS.

**\*\*\* SUPPLEMENTAL INFORMATION \*\*\***

DE BRACKET TYPE	ODE BRACKET TYPE	MOUNT TYPE	ORIENTATION	SEVERE DUTY	HAZARDOUS LOCATION	DRIP COVER	SCREENS	PAINT
STANDARD	STANDARD	RIGID	HORIZONTAL	FALSE	NONE	FALSE	NONE	BLUE - LEESON (ENAMEL)

BEARINGS		GREASE	SHAFT TYPE	SPECIAL DE	SPECIAL ODE	SHAFT MATERIAL	FRAME MATERIAL
DE	ODE						
BALL	BALL	POLYREX EM	T	NONE	NONE	AISI 1045 (C-240)	ROLLED STEEL
6207	6206						

THERMO-PROTECTORS				THERMISTORS	CONTROL	SPACE HEATERS
THERMOSTATS	PROTECTORS	WDG RTDs	BRG RTDs			
NONE	NOT	NONE	NONE	NONE	FALSE	NONE VOLTS

\*  
N  
O  
T  
E  
S

<b>INVERTER TORQUE:</b> NONE
<b>INV. HP SPEED RANGE:</b> NONE
<b>ENCODER:</b> NONE
NONE NONE
NONE NONE PPR
<b>BRAKE:</b> NONE NONE
NONE P/N NONE
NONE NONE
NONE FT-LB NONE V NONE Hz



## EC Declaration of Conformity

The undersigned representing  
the manufacturer:

Regal Beloit America  
100 East Randolph St.  
Wausau, WI 54401

and the authorized representative  
established within the Community:

Marathon Electric UK  
6F Thistleton Road Ind. Estate  
Market Overton  
Oakham, Rutland LE15 7PP UK

are committed to providing customers with products that comply with applicable regulations and international protocols to which they are subject, including the requirements of the European Parliament Directive on the Harmonization of the laws relating to electrical equipment designed for use within certain voltage limits (2014/35/EU).

Regal Beloit America declares that the following product(s), to which this declaration relates, are in conformity with the relevant sections of the EC standards listed below.

This statement supersedes any statements previously issued pertaining to the product(s) listed below and is subject to change without notice.

Model No : 140747.00

(Model No. may contain prefix and/or suffix characters)

Catalog No : 140747.00

Rework No : N/A

Directives :

Low Voltage Directive 2014/35/EU

Harmonized Standards Used :

EN 60034-1: 2010 (IEC 60034-1: 2010)

EN 60034-5: 2001/A1:2007 (IEC 60034-5: 2000/A1:2006)

Authorized Representative:



Michael A. Logsdon  
Vice President, Technology

Authorized Representative in the Community:



Julian Clark  
Marketing Engineer

Created on 09/01/2022

**CE 22**