

# PRODUCT INFORMATION PACKET



Model No: 140707.00  
Catalog No: 140707.00  
Agricultural Motor, 7.50 HP, 1 Ph, 60 Hz, 230 V, 1800 RPM, 215T Frame, TEFC



Regal and Leeson are trademarks of Regal Rexnord Corporation or one of its affiliated companies.  
©2024 Regal Rexnord Corporation, All Rights Reserved. MC017097E





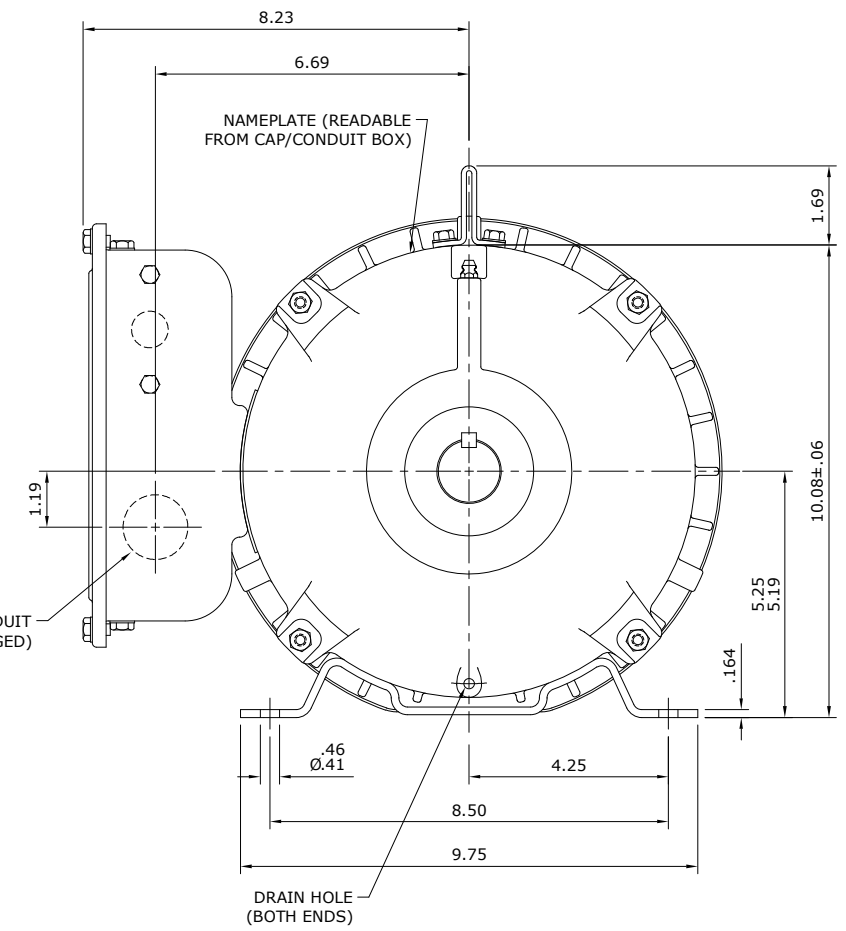
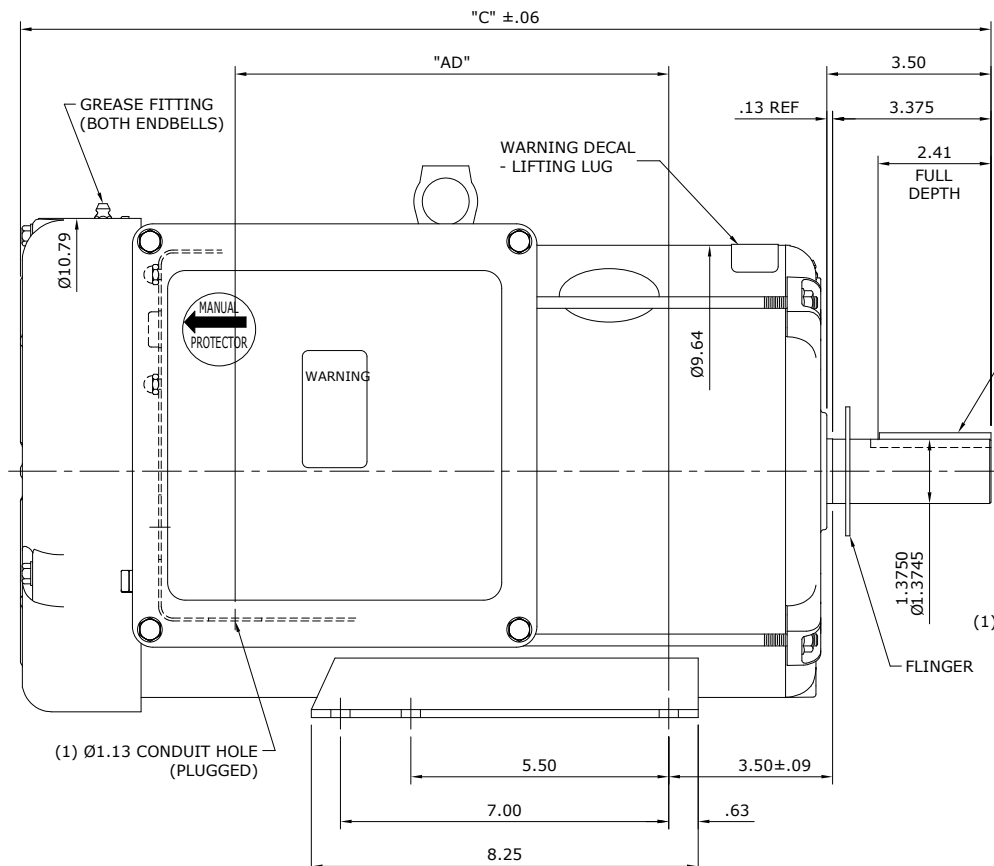
### Nameplate Specifications

Phase	1	Output HP	7.50 Hp
Output KW	5.6 kW	Voltage	230 V
Speed	1740 rpm	Service Factor	1.15
Frame	215T	Enclosure	Totally Enclosed Fan Cooled
Thermal Protection	Manual	Efficiency	85.5 %
Ambient Temperature	40 °C	Frequency	60 Hz
Current	32.0 A	Power Factor	90
Duty	Continuous	Insulation Class	F
Design Code	NO DESIGN CODE	KVA Code	J
Drive End Bearing Size	6207	Opp Drive End Bearing Size	6206
UL	Recognized	CSA	Y
CE	Y	IP Code	43
Number of Speeds	1		

### Technical Specifications

Electrical Type	Capacitor Start Capacitor Run	Starting Method	Across The Line
Poles	4	Rotation	Selective Counterclockwise
Resistance Main	.135 Ohms	Mounting	Rigid Base
Motor Orientation	Horizontal	Drive End Bearing	Ball
Opp Drive End Bearing	Ball	Frame Material	Rolled Steel
Shaft Type	T	Overall Length	20.21 in
Frame Length	13.50 in	Shaft Diameter	1.375 in
Shaft Extension	3.38 in	Assembly/Box Mounting	F1 ONLY
Outline Drawing	037596-1350	Connection Drawing	005080.17ME

This is an uncontrolled document once printed or downloaded and is subject to change without notice. Date Created:10/13/2024



**SPECIAL FEATURES:**  
 BRASS NAMEPLATE  
 GASKETS THROUGHOUT  
 FLINGER ON SHAFT  
 DRAIN HOLES IN BOTH ENDBELLS  
 MANUAL OVERLOAD PROTECTOR  
 GREASE FITTINGS IN BOTH ENDBELLS

DASH NO.	"C"	"AD"
1200	18.71	7.25
1250	19.21	7.75
1300	19.71	8.25
1350	20.21	8.75
1400	20.71	9.25
1450	21.21	9.75
1500	21.71	10.25

DRAWING REVISION	REVISION BY	REV DATE / @ DATE
D	KR	11/12/2021
REQUEST NUMBER	APPROVED BY	DATE
NMR-0210751	MN	11/12/2021
REQUEST NUMBER DESCRIPTION		
REGAL TEMPLATE UPDATED		
<small>COPYRIGHT (PER REVISION DATE) REGAL BELLOIT AMERICA, INC. ALL RIGHTS RESERVED. PROPRIETARY AND CONFIDENTIAL INFORMATION - THIS DOCUMENT IS THE PROPERTY OF REGAL BELLOIT AMERICA, INC. (OWNER) AND CONTAINS OWNER'S PROPRIETARY INFORMATION. ANY PERSON, CORPORATION OR OTHER FIRM RECEIVING IT IS DEEMED, BY RECEIVING IT, TO AGREE THAT IT, AND/OR ANY PART OF IT, SHALL NOT BE DISCLOSED TO ANY PERSON, CORPORATION OR OTHER ENTITY, DUPLICATED, AND/OR USED, EXCEPT AS EXPRESSLY APPROVED IN WRITING IN ADVANCE BY OWNER. THIS DOCUMENT SHALL BE RETURNED TO OWNER UPON REQUEST. IT MAY BE SUBJECT TO CERTAIN RESTRICTIONS UNDER APPLICABLE EXPORT CONTROL LAWS AND REGULATIONS.</small>		

**TOLERANCES (EXCEPT AS NOTED):**  
 DEC. INCH mm ANGLE  
 .X ±.01 (#.3) ±.5°  
 .XX ±.003 (#.08) ±.013°  
 .XXX ±.0005 (#.013) ±.013°  
 .XXXX ±.00005 (#.0013) ±.013°  
 REMOVE BURRS & BREAK SHARP EDGES: .003/.015 (.08/.38) X 45°  
 CORNER FILLETS: R.02 (.5)  
 MACHINED SURFACES: INCH mm  
 DIMENSIONS IN [BRACKETS] ARE FOR REFERENCE ONLY

DRAWN BY	RDW
DATE	6/3/02
APPROVED BY	SW
DATE	6/3/02
REFERENCE	140130
THIRD ANGLE PROJECTION	

		Regal Beloit America, Inc.	
APPROVED BY		DESCRIPTION	
DATE		OUTLINE	
REFERENCE		210T FRAME - TEFC - RIGID	
MATERIAL		PROCESS/FINISH	
FARM DUTY			
THIRD ANGLE PROJECTION	SIZE B	DRAWING NUMBER	SHEET
		037596	1 OF 1



**1051 CHEYENNE AVE.  
GRAFTON, WI 53024  
PH. 262-377-8810**

**CERTIFICATION DATA SHEET**

**CONN. DIAGRAM:** 005080.17

**CATALOG #:** 140707.00

**OUTLINE:** 037596-1350

**MOUNTING:** F1 ONLY

**WINDING #:** K9424 FR 2 A

**TYPICAL MOTOR PERFORMANCE DATA**

HP	kW	SYNC. RPM	F.L. RPM	FRAME	ENCLOSURE	KVA CODE	DESIGN
7 1/2	5.60	1800	1740	215T	TEFC	J	NO DESIGN CODE

PH	Hz	VOLTS	AMPS	START TYPE	DUTY	INSL	S.F.	AMB°C
1	60	230	32	ACROSS THE LINE	CONTINUOUS	F4	1.15	40

FULL LOAD EFF:	85.5	3/4 LOAD EFF:	85.4	1/2 LOAD EFF:	84.6	GTD. EFF		ELEC. TYPE	
FULL LOAD PF:	90	3/4 LOAD PF:	85.4	1/2 LOAD PF:	73.7	82.5		CAP START CAP RUN	

F.L. TORQUE	LOCKED ROTOR AMPS	L.R. TORQUE	B.D. TORQUE	F.L. RISE°C
22.5 LB-FT	241	85.5 LB-FT 380 %	62 LB-FT 276 %	76.2

SOUND PRESSURE @ 3 FT.	SOUND POWER	ROTOR WK^2	MAX. WK^2	SAFE STALL TIME	STARTS / HOUR	APPROX. MOTOR WGT
0 dBA	10 dBA	1.068 LB-FT^2	1.1 LB-FT^2	0 SEC.	0	157 LBS.

**\*\*\* SUPPLEMENTAL INFORMATION \*\*\***

DE BRACKET TYPE	ODE BRACKET TYPE	MOUNT TYPE	ORIENTATION	SEVERE DUTY	HAZARDOUS LOCATION	DRIP COVER	SCREENS	PAINT
STANDARD	STANDARD	RIGID	HORIZONTAL	FALSE	NONE	FALSE	NONE	RED - LEESON FARM DUTY

BEARINGS		GREASE	SHAFT TYPE	SPECIAL DE	SPECIAL ODE	SHAFT MATERIAL	FRAME MATERIAL
DE	ODE						
BALL	BALL	POLYREX EM	T	NONE	NONE	AISI 1045 (C-240)	ROLLED STEEL
6207	6206						

THERMO-PROTECTORS				THERMISTORS	CONTROL	SPACE HEATERS
THERMOSTATS	PROTECTORS	WDG RTDs	BRG RTDs			
NONE	MANUAL	NONE	NONE	NONE	FALSE	NONE VOLTS

\*  
N  
O  
T  
E  
S

<b>INVERTER TORQUE:</b> NONE
<b>INV. HP SPEED RANGE:</b> NONE
<b>ENCODER:</b> NONE
NONE NONE
NONE NONE PPR
<b>BRAKE:</b> NONE NONE
NONE P/N NONE
NONE NONE
NONE FT-LB NONE V NONE Hz

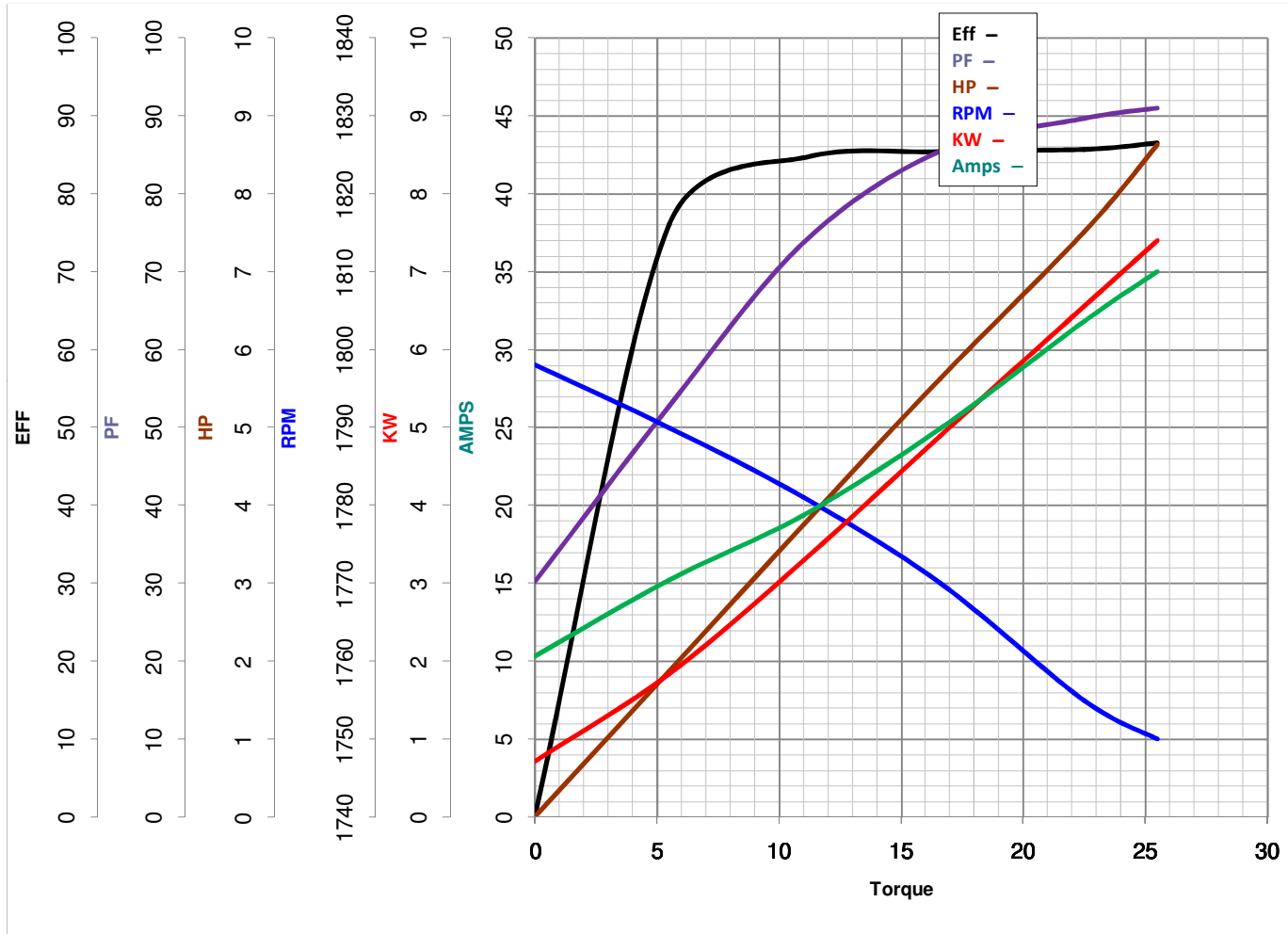


**LEESON ELECTRIC CORPORATION**  
 TYPICAL PERFORMANCE CURVE for AC MOTOR

Model No 140707.00

Catalog No 140707.00

Curve at 230 Volts      HP 7.50      PHASE 1  
60 HZ  
7.5 HP      VOLTS 230  
                                  HZ 60      RPM 1740



Torque in Lb.Ft

FL TORQUE 22.5 Lb.Ft  
 BD TORQUE 62.0 Lb.Ft  
 LR TORQUE 85.5 Lb.Ft

FL AMPS 32  
 PU TORQUE 58.5 Lb.Ft  
 LR AMPS 241

WINDING K9424-2

Date 4/23/2018

## EC Declaration of Conformity

The undersigned representing  
the manufacturer:

Regal Beloit America  
100 East Randolph St.  
Wausau, WI 54401

and the authorized representative  
established within the Community:

Marathon Electric UK  
6F Thistleton Road Ind. Estate  
Market Overton  
Oakham, Rutland LE15 7PP UK

are committed to providing customers with products that comply with applicable regulations and international protocols to which they are subject, including the requirements of the European Parliament Directive on the Harmonization of the laws relating to electrical equipment designed for use within certain voltage limits (2014/35/EU).

Regal Beloit America declares that the following product(s), to which this declaration relates, are in conformity with the relevant sections of the EC standards listed below.

This statement supersedes any statements previously issued pertaining to the product(s) listed below and is subject to change without notice.

Model No : 140707.00

(Model No. may contain prefix and/or suffix characters)

Catalog No : 140707.00

Rework No : N/A

Directives :

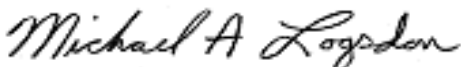
Low Voltage Directive 2014/35/EU

Harmonized Standards Used :

EN 60034-1: 2010 (IEC 60034-1: 2010)

EN 60034-5: 2001/A1:2007 (IEC 60034-5: 2000/A1:2006)

Authorized Representative:



Michael A. Logsdon  
Vice President, Technology

Authorized Representative in the Community:



Julian Clark  
Marketing Engineer

Created on 09/01/2022

**CE 22**