

PRODUCT INFORMATION PACKET



Model No: 140681.00

Catalog No: 140681.00

Air Compressor Motor, 10 HP, 1 Ph, 60 Hz, 208-230 V, 3600 & 3600 RPM, 215T Frame, DP



Regal and Leeson are trademarks of Regal Rexnord Corporation or one of its affiliated companies.
©2025 Regal Rexnord Corporation, All Rights Reserved. MC017097E





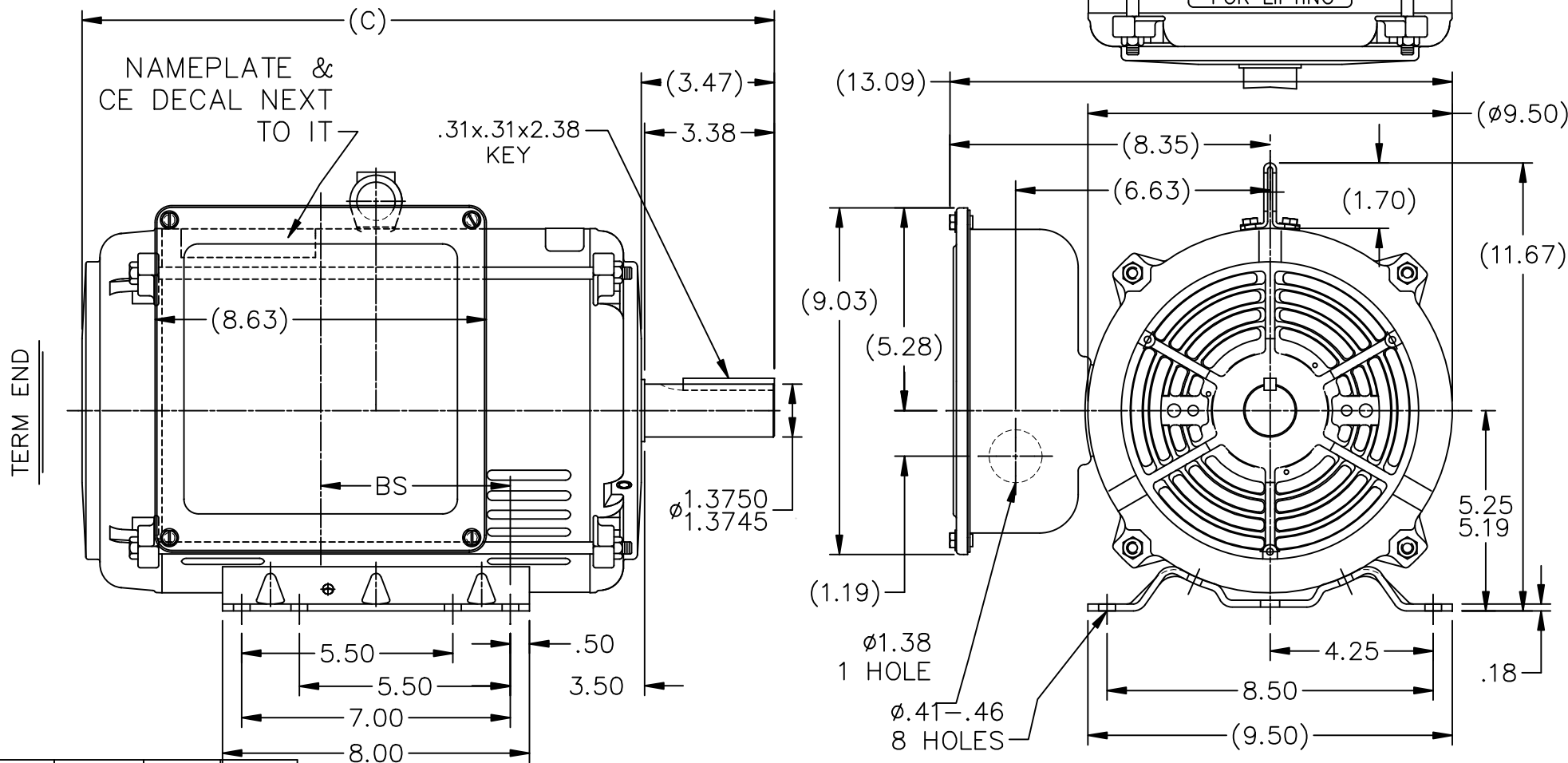
Nameplate Specifications

Phase	1	Output HP	10 Hp
Output KW	7.5 kW	Voltage	208-230 V
Speed	3515 r/min	Service Factor	1.15
Frame	215T	Enclosure	Drip Proof
Thermal Protection	No Protection	Efficiency	88.5 %
Ambient Temperature	40 °C	Frequency	60 Hz
Current	41.5-37.0 A	Power Factor	98.5
Duty	Continuous	Insulation Class	F
Design Code	NO DESIGN CODE	KVA Code	H
Drive End Bearing Size	307	Opp Drive End Bearing Size	206
UL	Recognized	CSA	Y
CE	N	IP Code	22
Number of Speeds	1		

Technical Specifications

Electrical Type	Capacitor Start Capacitor Run	Starting Method	Across The Line
Poles	2	Rotation	Selective Counterclockwise
Resistance Main	.157 O	Mounting	Rigid Base
Motor Orientation	Horizontal	Drive End Bearing	Ball
Opp Drive End Bearing	Ball	Frame Material	Rolled Steel
Shaft Type	T	Overall Length	19.29 in
Frame Length	12.40 in	Shaft Diameter	1.375 in
Shaft Extension	3.38 in	Assembly/Box Mounting	F1 ONLY
Connection Drawing	EE9048LV-LE	Outline Drawing	SS88686LE-1240

SS88686LE

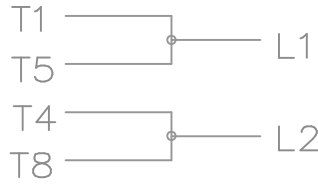


- NOTES:
 1. NAMEPLATE TO BE READ FROM C'BOX SIDE OF MOTOR.
 2. DASH 965 TO BE READ FROM OPPOSITE SHAFT END

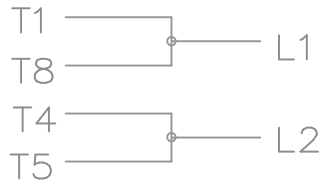
DASH	FR.	C	BS
965	213T	16.54	3.44
1115	213/15T	18.04	4.94
1240	215T	19.29	6.19

				TOLERANCES UNLESS SPECIFIED		LEESON	ELECTRIC MOTORS GEARMOTORS AND DRIVES	DRAWN RJM 07-26-2002			
				DEC.	INCHES			CHK	ML	08-05-2002	
				.X	±.1			APPD	JPL	08-02-2002	
				.XX	±.03	TITLE OUTLINE		SCALE	1=4		
2	ADDED NOTE 2	CN 31881	DRS 10-21-2002	ML	.XXX ±.005	210 FR. - DR. PR. - 1 PHASE		REF			
1	NEW DRAWING - DES/DEV		RJM 08-02-2002		.XXXX ±.0005	MAT'L.		FMF			
NO.	REVISION		BY & DATE	CHK	ANG ±7'30"	FINISH		PREV			
THIS DRAWING IN DESIGN AND DETAIL IS OUR PROPERTY AND MUST NOT BE USED EXCEPT IN CONNECTION WITH OUR WORK ALL RIGHTS OF DESIGN AND INVENTION ARE RESERVED THIS IS AN ELECTRONICALLY GENERATED DOCUMENT - DO NOT SCALE THIS PRINT				RFP	CAD FILE ss88686le			SIZE	DRAWING NO.	PAGE OF	REV.
				DIST	LB			A	SS88686LE		2

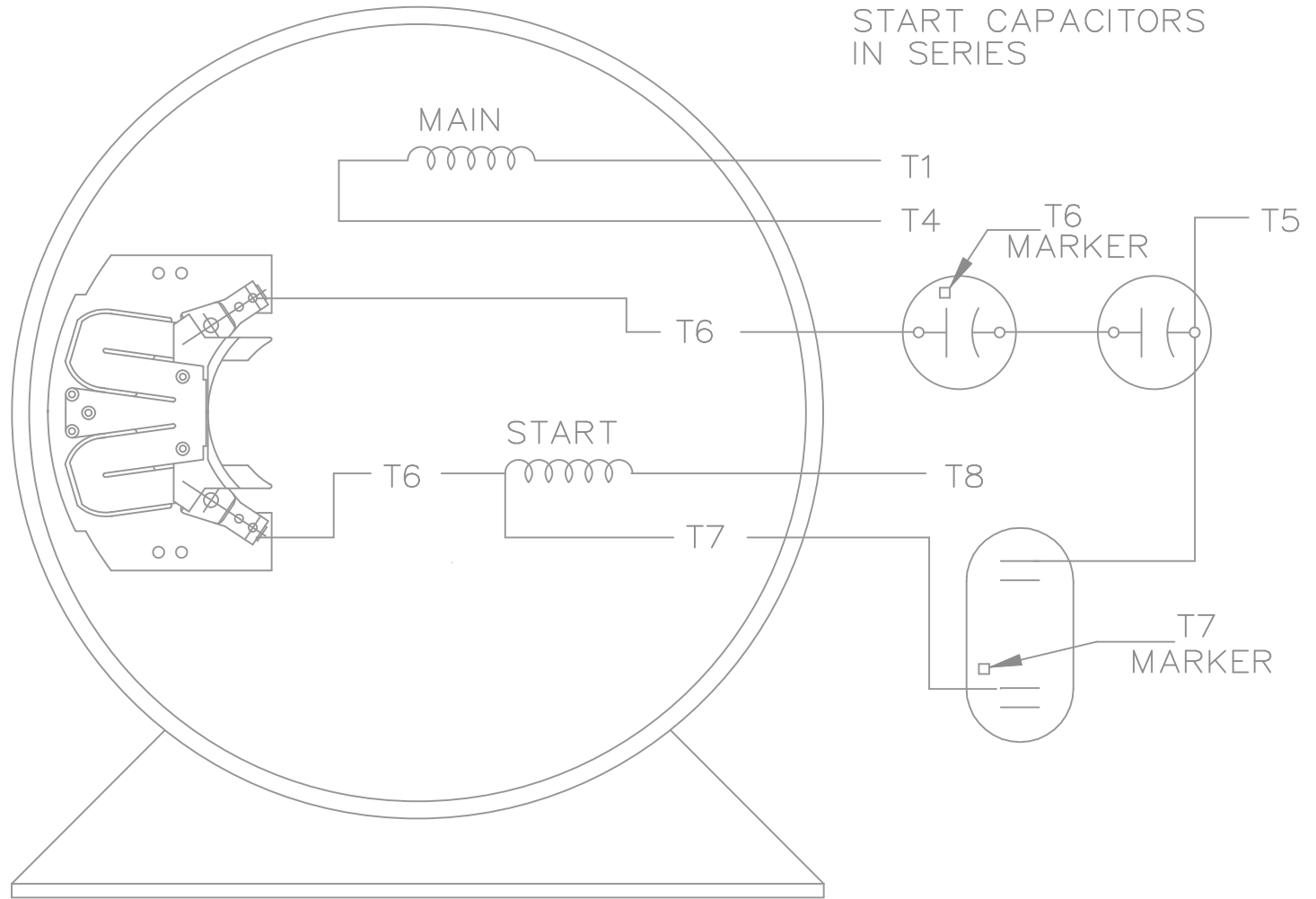
C.W. ROTATION



C.C.W. ROTATION




SINGLE VOLTAGE
CAPACITOR START
CAPACITOR RUN
REVERSIBLE



CONNECT:
START CAPACITORS
IN SERIES

VIEW OF TERMINAL END

				TOLERANCES UNLESS SPECIFIED		 ELECTRIC MOTORS GEARMOTORS AND DRIVES	DRAWN RJM 07-25-2002			
				DEC.	INCHES		CHK			
				.X	±.1		APPD			
				.XX	±.02		SCALE 1=1			
				.XXX	±.005		REF			
1	NEW DRAWING - DES/DEV	RJM		.XXXX	±.0005	MAT'L.	FMF			
NO.	REVISION	BY & DATE	CHK	ANG	±7'30"	FINISH	PREV			
THIS DRAWING IN DESIGN AND DETAIL IS OUR PROPERTY AND MUST NOT BE USED EXCEPT IN CONNECTION WITH OUR WORK ALL RIGHTS OF DESIGN AND INVENTION ARE RESERVED THIS IS AN ELECTRONICALLY GENERATED DOCUMENT - DO NOT SCALE THIS PRINT				RFP		CAD FILE EE9048LV-LE	SIZE A	DRAWING NO. EE9048LV-LE	PAGE OF 1	REV. 1
				DIST	LB					



1051 CHEYENNE AVE.
GRAFTON, WI 53024
PH. 262-377-8810

CERTIFICATION DATA SHEET

CONN. DIAGRAM: A-EE9048LV-LE
OUTLINE: A-SS88686LE-1240
WINDING #: BK10273 DR 1 B

CATALOG #: 140681.00
MOUNTING: F1 ONLY

TYPICAL MOTOR PERFORMANCE DATA

HP	kW	SYNC. RPM	F.L. RPM	FRAME	ENCLOSURE	KVA CODE	DESIGN
10	7.50	3600	3515	215T	DP	H	NO DESIGN CODE

PH	Hz	VOLTS	AMPS	START TYPE	DUTY	INSL	S.F.	AMB°C
1	60	208-230	41.5-37	ACROSS THE LINE	CONTINUOUS	F4	1.15	40

FULL LOAD EFF:	88.5	3/4 LOAD EFF:	89.7	1/2 LOAD EFF:	88.1	GTD. EFF	ELEC. TYPE
FULL LOAD PF:	98.5	3/4 LOAD PF:	99	1/2 LOAD PF:	99.3	86.5	CAP START CAP RUN

F.L. TORQUE	LOCKED ROTOR AMPS	L.R. TORQUE	B.D. TORQUE	F.L. RISE°C
15 LB-FT	295	46 LB-FT 307 %	41.5 LB-FT 277 %	35

SOUND PRESSURE @ 3 FT.	SOUND POWER	ROTOR WK^2	MAX. WK^2	SAFE STALL TIME	STARTS / HOUR	APPROX. MOTOR WGT
0 dBA	10 dBA	-1 LB-FT^2	0 LB-FT^2	0 SEC.	0	126 LBS.

***** SUPPLEMENTAL INFORMATION *****

DE BRACKET TYPE	ODE BRACKET TYPE	MOUNT TYPE	ORIENTATION	SEVERE DUTY	HAZARDOUS LOCATION	DRIP COVER	SCREENS	PAINT
STANDARD	STANDARD	RIGID	HORIZONTAL	FALSE	NONE	FALSE	NONE	BLUE - LEESON (ENAMEL)

BEARINGS		GREASE	SHAFT TYPE	SPECIAL DE	SPECIAL ODE	SHAFT MATERIAL	FRAME MATERIAL
DE	ODE						
BALL	BALL	POLYREX EM	T	NONE	NONE	AISI 1045 (C-240)	ROLLED STEEL
307	206						

THERMO-PROTECTORS				THERMISTORS	CONTROL	SPACE HEATERS
THERMOSTATS	PROTECTORS	WDG RTDs	BRG RTDs			
NONE	NOT	NONE	NONE	NONE	FALSE	NONE VOLTS

*
N
O
T
E
S
*

INVERTER TORQUE: NONE
INV. HP SPEED RANGE: NONE
ENCODER: NONE NONE NONE NONE NONE PPR
BRAKE: NONE NONE NONE P/N NONE NONE NONE NONE FT-LB NONE V NONE Hz