

# PRODUCT INFORMATION PACKET



Model No: 140642.00  
Catalog No: 140642.00  
7.50 HP Close-Coupled Pump Motor, 1 phase, 3600 RPM, 230 V, 213JM Frame, ODP  
Close-Coupled Pump Motors



Regal and Leeson are trademarks of Regal Rexnord Corporation or one of its affiliated companies.  
©2021 Regal Rexnord Corporation, All Rights Reserved. MC017097E





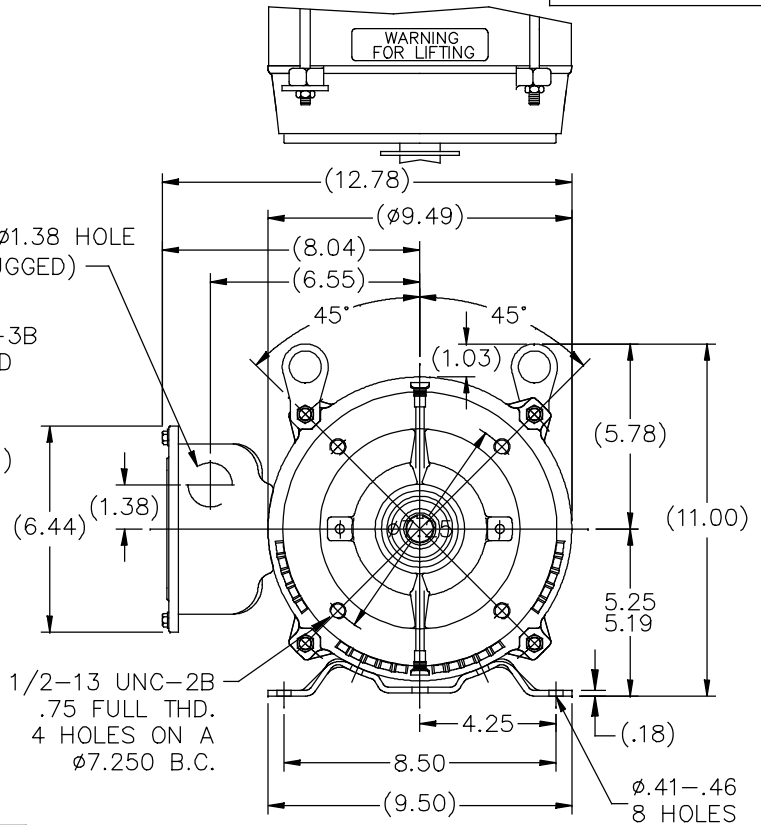
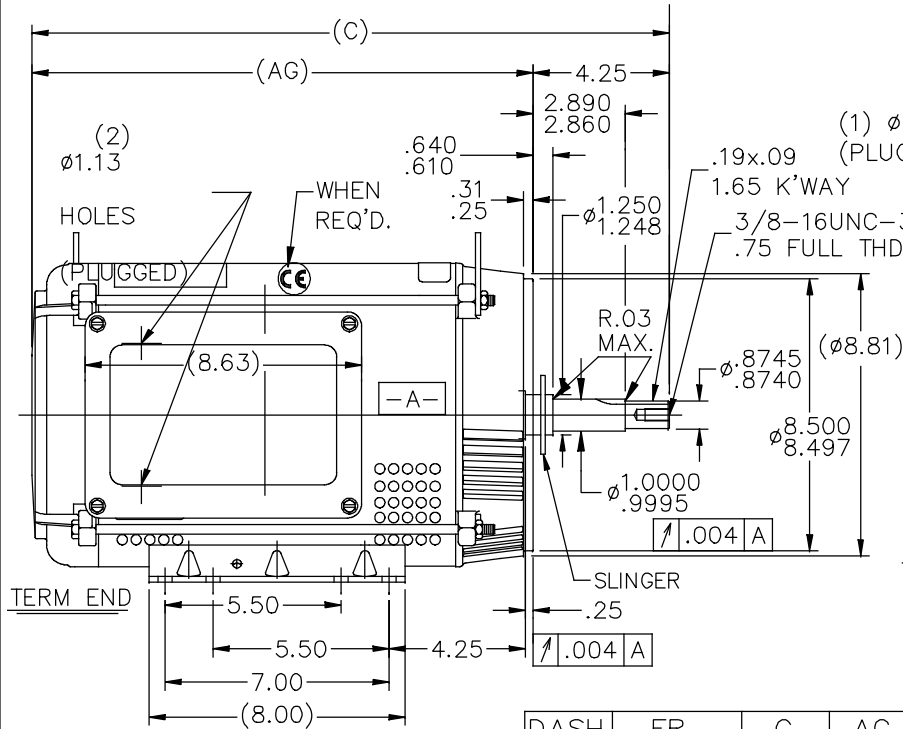
### Nameplate Specifications

Output HP	<b>7.50 Hp</b>	Output KW	<b>5.6 kW</b>
Frequency	<b>60 Hz</b>	Voltage	<b>230 V</b>
Current	<b>37.0 A</b>	Speed	<b>3470 rpm</b>
Service Factor	<b>1.15</b>	Phase	<b>1</b>
Efficiency	<b>78.5 %</b>	Power Factor	<b>82.5</b>
Duty	<b>Continuous</b>	Insulation Class	<b>F</b>
Design Code	<b>L</b>	KVA Code	<b>F</b>
Frame	<b>213JM</b>	Enclosure	<b>Drip Proof</b>
Thermal Protection	<b>No</b>	Ambient Temperature	<b>40 °C</b>
Drive End Bearing Size	<b>309</b>	Opp Drive End Bearing Size	<b>206</b>
UL	<b>Recognized</b>	CSA	<b>Y</b>
CE	<b>N</b>	IP Code	<b>22</b>
Number of Speeds	<b>1</b>		

### Technical Specifications

Electrical Type	<b>Capacitor Start Induction Run</b>	Starting Method	<b>Across The Line</b>
Poles	<b>2</b>	Rotation	<b>Selective Counterclockwise</b>
Resistance Main	<b>0 Ohms</b>	Mounting	<b>Rigid Base</b>
Motor Orientation	<b>Horizontal</b>	Drive End Bearing	<b>Ball</b>
Opp Drive End Bearing	<b>Ball</b>	Frame Material	<b>Rolled Steel</b>
Shaft Type	<b>JM</b>	Overall Length	<b>18.42 in</b>
Frame Length	<b>9.65 in</b>	Shaft Diameter	<b>0.875 in</b>
Shaft Extension	<b>4.28 in</b>	Assembly/Box Mounting	<b>F1 ONLY</b>
Outline Drawing	<b>038180-965</b>	Connection Drawing	<b>A-EE7090JR-LE</b>

038180



DASH	FR.	C	AG
965	213JM	18.42	14.17
1115	213/15JM	19.92	15.67
1240	213/15JM	21.17	16.92

ORACLE REV 001

NOTES:  
1. NAMEPLATE TO BE READ FROM C'BOX SIDE OF MOTOR.

		TOLERANCES UNLESS SPECIFIED		REGAL™ Regal Beloit America, Inc.		DRAWN MVG 08/28/2017	
		DEC.	INCHES			CHK	SR 08/28/2017
		.X	±.1			APPD	SR 08/28/2017
		.XX	±.03	TITLE OUTLINE - 210JM FR. DP - 'C' FACE ,CIRCULAR VENT HOLES		SCALE	1=4.2
		.XXX	±.005			REF	037643
A	NEW DRAWING	MJVG08/28/17	SR	.XXXX	±.0005	MAT'L.	FMF
NO.	REVISION	BY & DATE	CHK	ANG	±7'30"	FINISH	PREV
THIS DRAWING IN DESIGN AND DETAIL IS OUR PROPERTY AND MUST NOT BE USED EXCEPT IN CONNECTION WITH OUR WORK ALL RIGHTS OF DESIGN AND INVENTION ARE RESERVED THIS IS AN ELECTRONICALLY GENERATED DOCUMENT - DO NOT SCALE THIS PRINT				RFP	CAD FILE 038180	SIZE	DRAWING NO. PAGE 1 OF 1 REV.
				DIST	LB	A	038180 A



CERTIFICATION DATA SHEET

1051 CHEYENNE AVE.  
GRAFTON, WI 53024  
PH. 262-377-8810

CATALOG #: 140642.00

CONN. DIAGRAM: A-EE7090JR-LE

OUTLINE: 038180-965

MOUNTING: F1 ONLY

WINDING #: CK10249 2

TYPICAL MOTOR PERFORMANCE DATA

HP	kW	SYNC. RPM	F.L. RPM	FRAME	ENCLOSURE	KVA CODE	DESIGN
7 1/2	5.60	3600	3470	213JM	DP	F	L

PH	Hz	VOLTS	AMPS	START TYPE	DUTY	INSL	S.F.	AMB°C
1	60	230	37	ACROSS THE LINE	CONTINUOUS	F4	1.15	40

FULL LOAD EFF:	78.5	3/4 LOAD EFF:	78.1	1/2 LOAD EFF:	77.1	GTD. EFF		ELEC. TYPE	
FULL LOAD PF:	82.5	3/4 LOAD PF:	77.6	1/2 LOAD PF:	68.1	75.5	CAP START IND RUN		

F.L. TORQUE	LOCKED ROTOR AMPS	L.R. TORQUE	B.D. TORQUE	F.L. RISE°C
11.3 LB-FT	173	15.6 LB-FT 138 %	23.2 LB-FT 205 %	55

SOUND PRESSURE @ 3 FT.	SOUND POWER	ROTOR WK^2	MAX. WK^2	SAFE STALL TIME	STARTS / HOUR	APPROX. MOTOR WGT
0 dBA	10 dBA	0 LB-FT^2	0 LB-FT^2	10 SEC.	0	109 LBS.

\*\*\* SUPPLEMENTAL INFORMATION \*\*\*

DE BRACKET TYPE	ODE BRACKET TYPE	MOUNT TYPE	ORIENTATION	SEVERE DUTY	HAZARDOUS LOCATION	DRIP COVER	SCREENS	PAINT
C-FACE	STANDARD	RIGID	HORIZONTAL	FALSE	NONE	FALSE	NONE	BLUE - LEESON (ENAMEL)

BEARINGS		GREASE	SHAFT TYPE	SPECIAL DE	SPECIAL ODE	SHAFT MATERIAL	FRAME MATERIAL
DE	ODE						
BALL	BALL	POLYREX EM	JM	NONE	NONE	AISI 1045 (C-240)	ROLLED STEEL
309	206						

THERMO-PROTECTORS				THERMISTORS	CONTROL	SPACE HEATERS
THERMOSTATS	PROTECTORS	WDG RTDs	BRG RTDs			
NONE	NOT	NONE	NONE	NONE	FALSE	NONE VOLTS

\*  
N  
O  
T  
E  
S

<b>INVERTER TORQUE:</b> NONE
<b>INV. HP SPEED RANGE:</b> NONE
<b>ENCODER:</b> NONE
NONE NONE
NONE NONE PPR
<b>BRAKE:</b> NONE NONE
NONE P/N NONE
NONE NONE
NONE FT-LB NONE V NONE HZ

