

# PRODUCT INFORMATION PACKET



Model No: 140537.00

Catalog No: 140537.00

7.6/2.2HP..1750/1140RPM.215.TENV./480V.3PH.60HZ.AIROVER.AUTOMATIC.70C.1.10SF.RIGID..C215T46VB1B

Regal and Leeson are trademarks of Regal Rexnord Corporation or one of its affiliated companies.

©2023 Regal Rexnord Corporation, All Rights Reserved. MC017097E





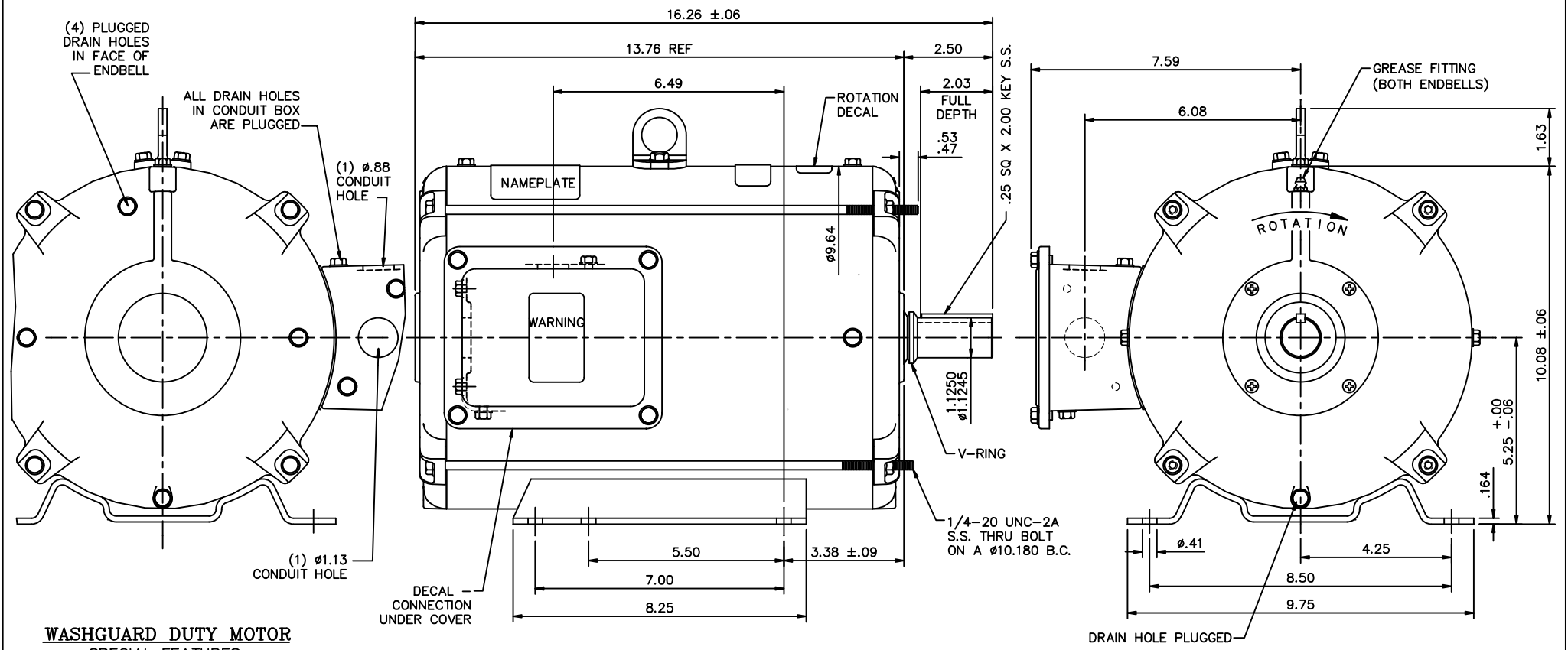
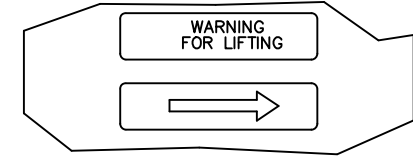
### Nameplate Specifications

Phase	<b>3</b>	Output HP	<b>7.60 &amp; 2.20 Hp</b>
Output KW	<b>5.7 &amp; 1.6 kW</b>	Voltage	<b>480 &amp; 480 V</b>
Speed	<b>1750 &amp; 1140 rpm</b>	Service Factor	<b>1.1 &amp; 1.10</b>
Frame	<b>215TZ</b>	Enclosure	<b>Totally Enclosed Air Over</b>
Thermal Protection	<b>Thermostat</b>	Ambient Temperature	<b>70 °C</b>
Frequency	<b>60 &amp; 60 Hz</b>	Current	<b>10 &amp; 4.2 A</b>
Duty	<b>Continuous</b>	Insulation Class	<b>H</b>
Design Code	<b>NO DESIGN CODE</b>	KVA Code	<b>J</b>
Drive End Bearing Size	<b>6209</b>	Opp Drive End Bearing Size	<b>6206</b>
UL	<b>Recognized</b>	CSA	<b>Y</b>
CE	<b>N</b>	IP Code	<b>43</b>
Number of Speeds	<b>1</b>		

### Technical Specifications

Electrical Type	<b>Squirrel Cage Induction Run</b>	Starting Method	<b>Across The Line</b>
Poles	<b>4</b>	Rotation	<b>Reversible</b>
Resistance Main	<b>3.5 Ohms</b>	Mounting	<b>Rigid Base</b>
Motor Orientation	<b>Horizontal</b>	Drive End Bearing	<b>Ball</b>
Opp Drive End Bearing	<b>Ball</b>	Frame Material	<b>Rolled Steel</b>
Shaft Type	<b>Single Special Extension</b>	Shaft Diameter	<b>1.125 in</b>
Assembly/Box Mounting	<b>F1 ONLY</b>		
Outline Drawing	<b>OL140537</b>	Connection Drawing	<b>00504608</b>

This is an uncontrolled document once printed or downloaded and is subject to change without notice. Date Created:06/23/2023



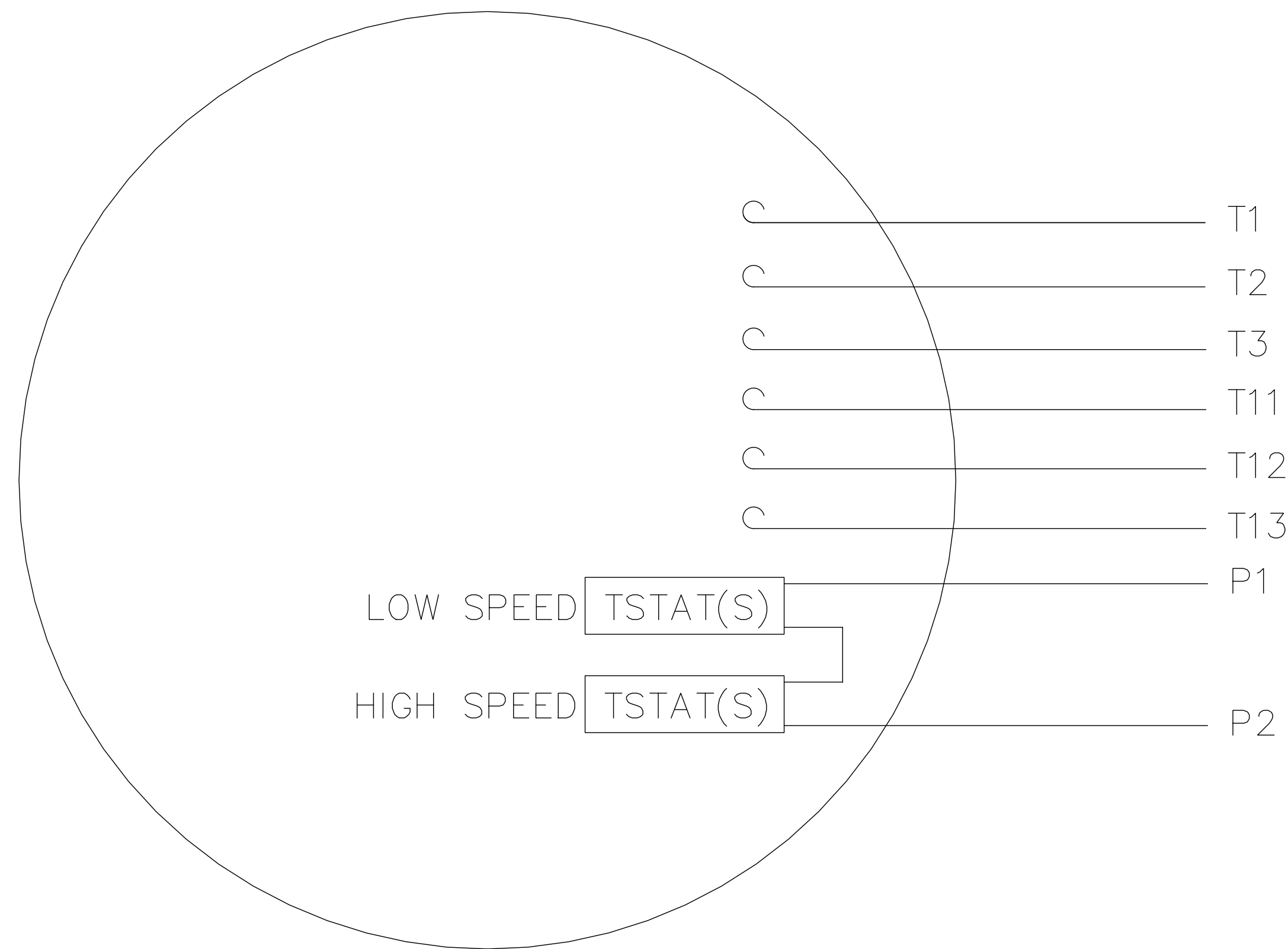
**WASHGUARD DUTY MOTOR**  
SPECIAL FEATURES:

- 1) BUNA-N GASKETS THROUGHOUT
- 2) SHAFT SEAL SHAFT END
- 3) V-RING
- 4) STAINLESS STEEL SHAFT, NAMEPLATE & HARDWARE
- 5) FDA APPROVED EPOXY PAINT
- 6) PLUGGED DRAIN HOLES IN FRAME @ 3:00, 9:00 & 12:00. ALSO @ 6:00 IN FACE OF S.E. ENDBELL
- 7) PLUGGED DRAIN HOLE IN TOP & BOTTOM OF CONDUIT BOX

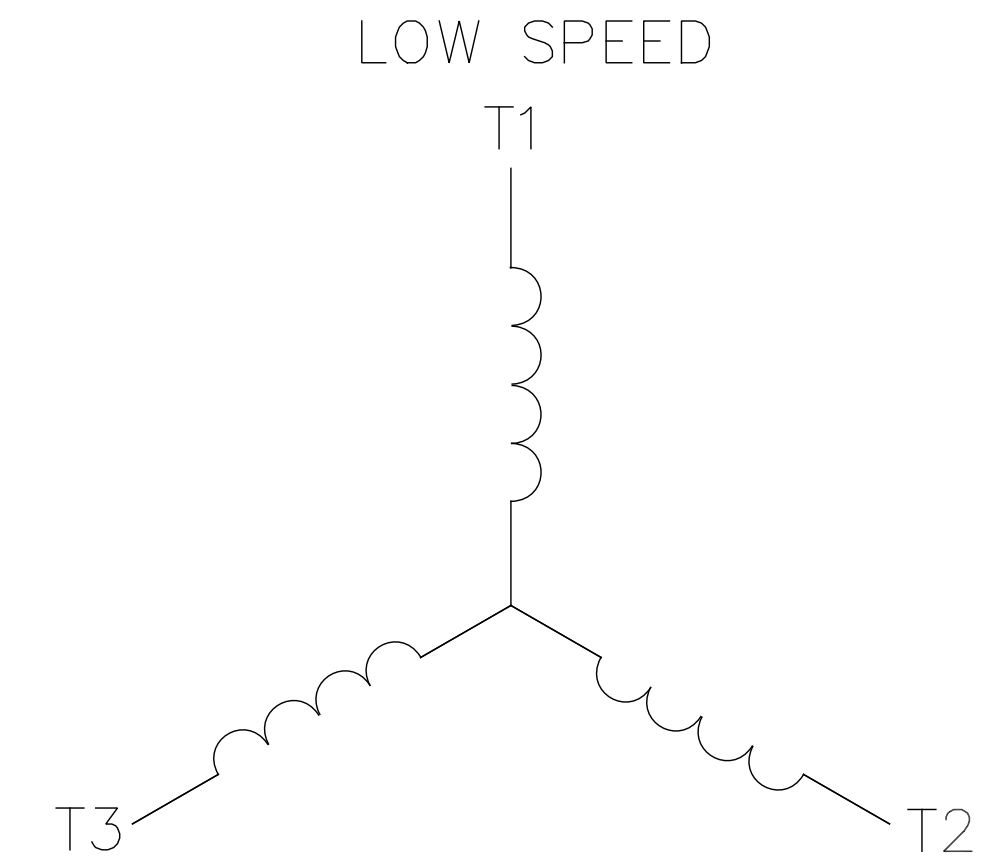
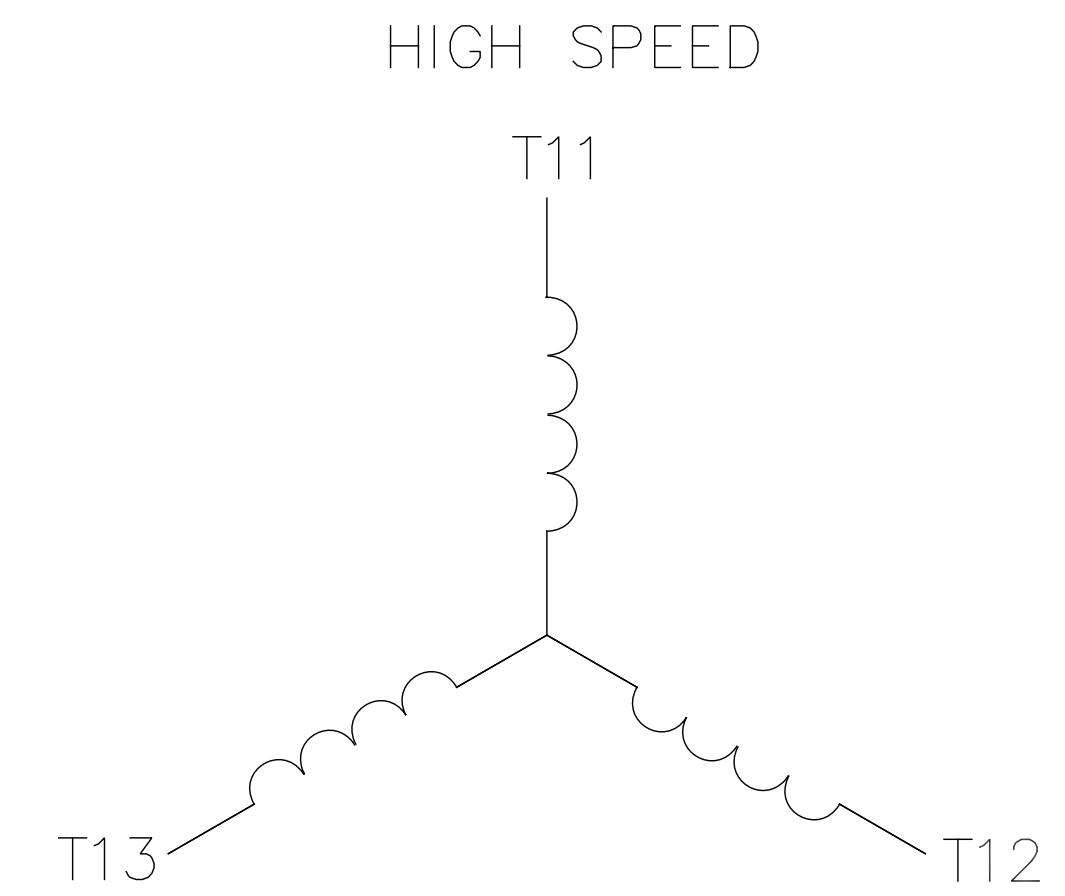
		TOLERANCES UNLESS SPECIFIED		LEESON ELECTRIC MOTORS GEARMOTORS AND DRIVES		DRAWN RDW 7/29/02				
		DEC.	INCHES			CHK				
		.X	±.1	TITLE		APPD SW 7/29/02				
		.XX	±.03	OUTLINE - 215TZ FRAME		SCALE 3=8				
02	UPDATED PER ISAAC 10-0580	LST	5/13/10	TENV - RIGID		REF 037589				
01	CHANGE NAMEPLATE PER MT2 CONVERSION	LST	2/17/2009	MAT'L		FMF G140280				
NO. REVISION		BY & DATE		FINISH		PREV				
THIS DRAWING IN DESIGN AND DETAIL IS OUR PROPERTY AND MUST NOT BE USED EXCEPT IN CONNECTION WITH OUR WORK ALL RIGHTS OF DESIGN AND INVENTION ARE RESERVED THIS IS AN ELECTRONICALLY GENERATED DOCUMENT - DO NOT SCALE THIS PRINT				RFP	7/29/02	CAD FILE	OL140537	SIZE	DRAWING NO.	REV.
				DIST	NLV	B		OL140537	02	

005046-08

VIEW FROM OUTSIDE OF MOTOR AT SWITCH END.



LINE LEADS



	L1	L2	L3
HIGH SPEED	T11	T12	T13
LOW SPEED	T1	T2	T3

				TOLERANCES UNLESS OTHERWISE SPECIFIED		<b>LEESON</b> ELECTRIC CORPORATION						
				DECIMALS								
				.00	± .01	DRAWN	LST 4/30/13	TITLE			EXTERNAL WIRING DIAGRAM	
				.000	± .005	CH'K'D.		TYPE "I" W/ TSTAT				
				.0000	± .0005	APPR.		MAT'L.				DECAL - 080132
NO.	REVISION	BY	DATE	FRACTIONS	± 1/64	SCALE	1=1	2WDG./2 SPEED 1Y-1Y				
THIS DRAWING IN DESIGN AND DETAIL IS OUR PROPERTY AND MUST NOT BE USED EXCEPT IN CONNECTION WITH OUR WORK ALL RIGHTS OF DESIGN AND INVENTION ARE RESERVED				ANGLES	± 1/2°	REF.		FINISH	SIZE	DRAWING NO.		
				INCH/MM		FMF			A	005046-08		