

PRODUCT INFORMATION PACKET



Model No: 140444.00

Catalog No: 140444.00

Definite Purpose Motor, 10 & 2.50 HP, 3 Ph, 60 & 60 Hz, 208-230 & 208-230 V, 1800 & 1800 RPM,
215T Frame, TEFC



Regal and Leeson are trademarks of Regal Rexnord Corporation or one of its affiliated companies.

©2023 Regal Rexnord Corporation, All Rights Reserved. MC017097E



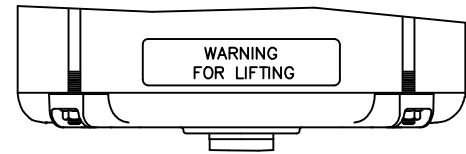
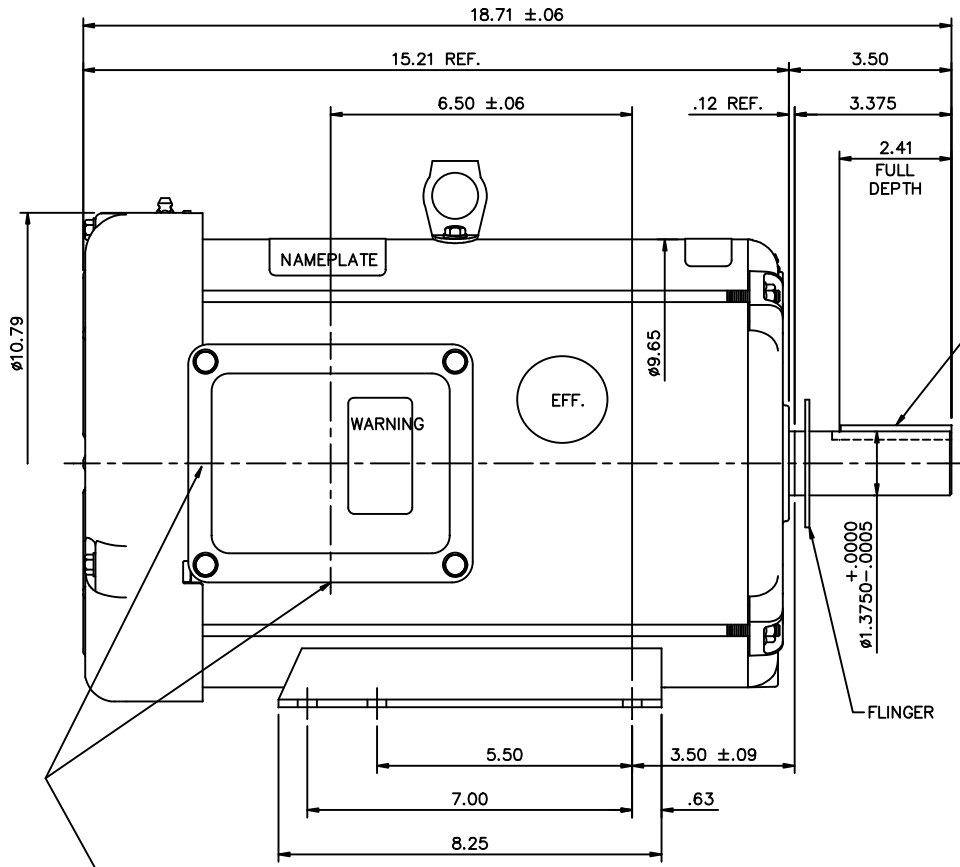


Nameplate Specifications

Phase	3	Output HP	10 & 2.50 Hp
Output KW	7.5 & 1.9 kW	Voltage	208-230 & 208-230 V
Speed	1740 & 860 rpm	Service Factor	1.0 & 1.0
Frame	215T	Enclosure	Totally Enclosed Fan Cooled
Thermal Protection	No Protection	Efficiency	87.5 & 82.5 %
Ambient Temperature	40 °C	Frequency	60 & 60 Hz
Current	25.4 & 8.4 A	Power Factor	87.7
Duty	Continuous	Insulation Class	F
Design Code	1VT	KVA Code	H
Drive End Bearing Size	6207	Opp Drive End Bearing Size	6206
UL	Recognized	CSA	Y
CE	N	IP Code	43
Number of Speeds	1		

Technical Specifications

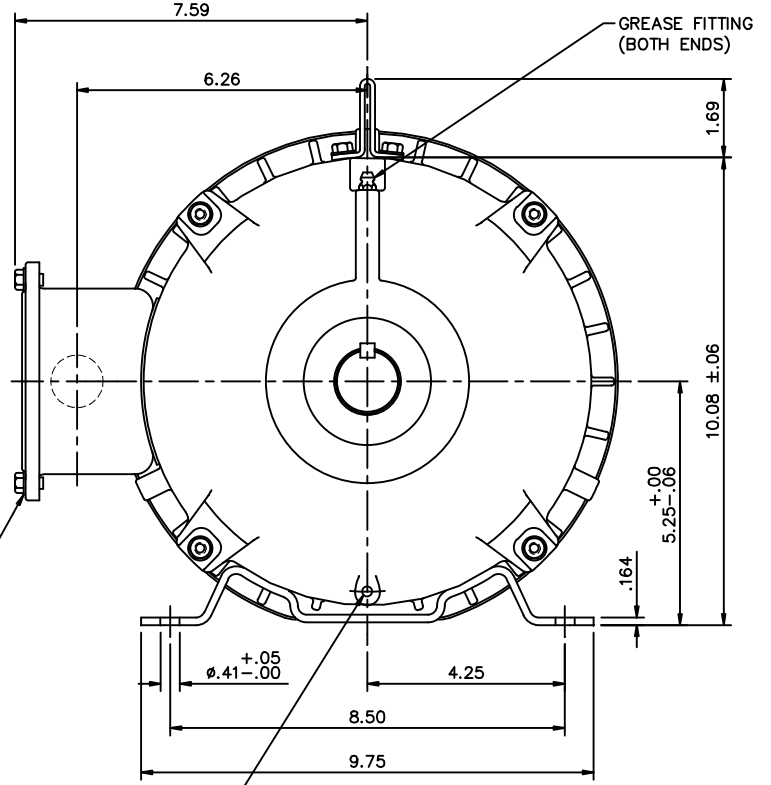
Electrical Type	Squirrel Cage Induction Run	Starting Method	Across The Line
Poles	4	Rotation	Reversible
Resistance Main	0 Ohms	Mounting	Rigid Base
Motor Orientation	Horizontal	Drive End Bearing	Ball
Opp Drive End Bearing	Ball	Frame Material	Rolled Steel
Shaft Type	T	Overall Length	18.71 in
Frame Length	12.00 in	Shaft Diameter	1.375 in
Shaft Extension	3.38 in	Assembly/Box Mounting	F1/F2 CAPABLE
Connection Drawing	005200.01	Outline Drawing	OL140444



.31 SQ. X 2.38 KEY

+0.000
-0.0005
Ø1.3750

DECAL - CONNECTION UNDER COVER

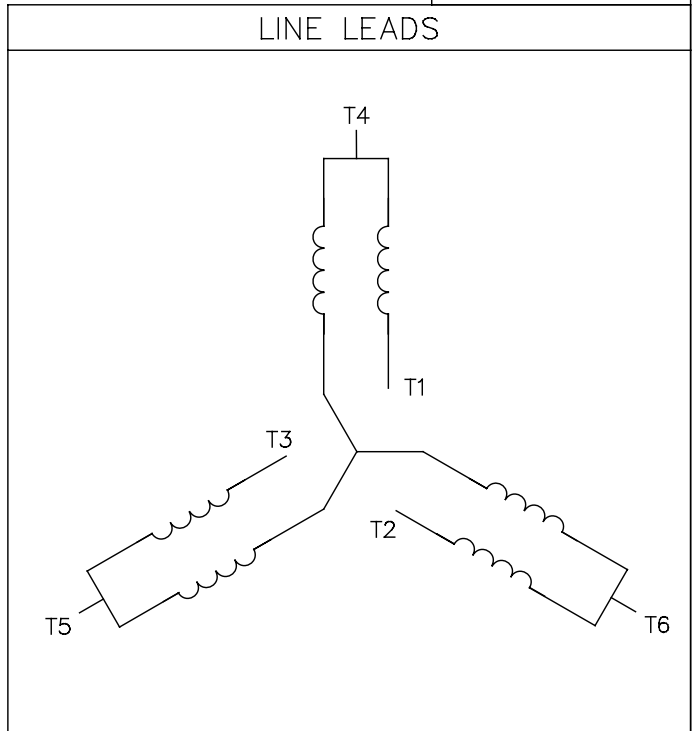
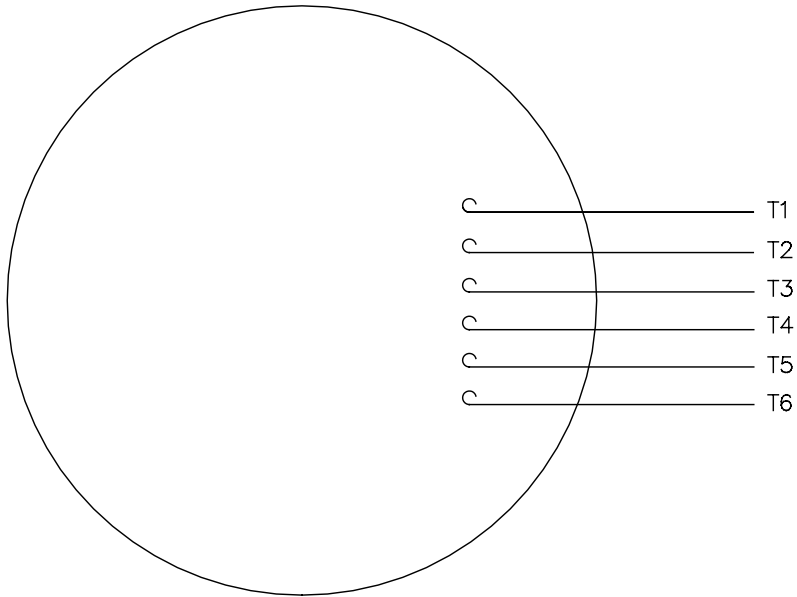


(2) Ø1.13 CONDUIT HOLE (PLUGGED)

				TOLERANCES UNLESS OTHERWISE SPECIFIED			LEESON ELECTRIC CORPORATION		
				DEC.	INCHES	METRIC			
				.X	±.1	±.25	DRAWN RDW 05/10/00	TITLE OUTLINE - N215T FRAME	
01	REMOVED "LEESON" FROM CONDUIT BOX COVER	BPW 05/16/01		.XX	±.03	±.76	APPR. DWF 05/10/00	TEFC - RIGID MOUNT	
	EFF. 07/31/01			.XXX	±.005	±.127	R.F.P. 05/28/00	MAT'L.	
NO.	REVISION	BY & DATE	CH'K'D.	.XXXX	±.0005	±.0127	SCALE 3=8	NLV	
THIS DRAWING IN DESIGN AND DETAIL IS OUR PROPERTY AND MUST NOT BE USED EXCEPT IN CONNECTION WITH OUR WORK. ALL RIGHTS OF DESIGN AND INVENTION ARE RESERVED. THIS IS AN ELECTRONICALLY GENERATED DOCUMENT - DO NOT SCALE THIS PRINT.				FRACTIONS	±1/64	REF. 037511	FINISH STANDARD	REV. 01	DRAWING NO. OL140444
				ANGLES	±1/2°	FMF			

005200-01

VIEW FROM OUTSIDE OF MOTOR AT SWITCH END.



SPEED	LINE LEADS			JOIN	SEPARATE
	L1	L2	L3		
HIGH	T6	T4	T5	(T1,T2,T3)	
LOW	T1	T2	T3		(T4)(T5) (T6)

				TOLERANCES UNLESS OTHERWISE SPECIFIED		REGAL TM Regal Beloit America, Inc.				
				DECIMALS						
				.00	± .01	DRAWN PG 08/08/83		TITLE EXTERNAL WIRING DIAGRAM TYPE "T" W/O PROTECTOR		
04	SPEED WAS VOLTAGE	EPB	1/17/00	.000	± .005	CH'K'D. DLL 08/09/83				
03	REDRAWN TO CURRENT STANDARDS	DBT	05/30/97	.0000	± .0005	APPR. KG 08/09/83		MAT'L. DECAL - 004183/080066		
NO.	REVISION	BY	DATE	FRACTIONS	± 1/64	SCALE 1=1		2 SPEED 1 WDG. VARIABLE TORQUE MOTOR		
THIS DRAWING IN DESIGN AND DETAIL IS OUR PROPERTY AND MUST NOT BE USED EXCEPT IN CONNECTION WITH OUR WORK ALL RIGHTS OF DESIGN AND INVENTION ARE RESERVED				ANGLES		± 1/2°	REF. 080066		FINISH	
				INCH/MM				FMF 83648D1		SIZE A

Data Sheet

Date: 1/31/2018

140444.00



Data @ 230 V

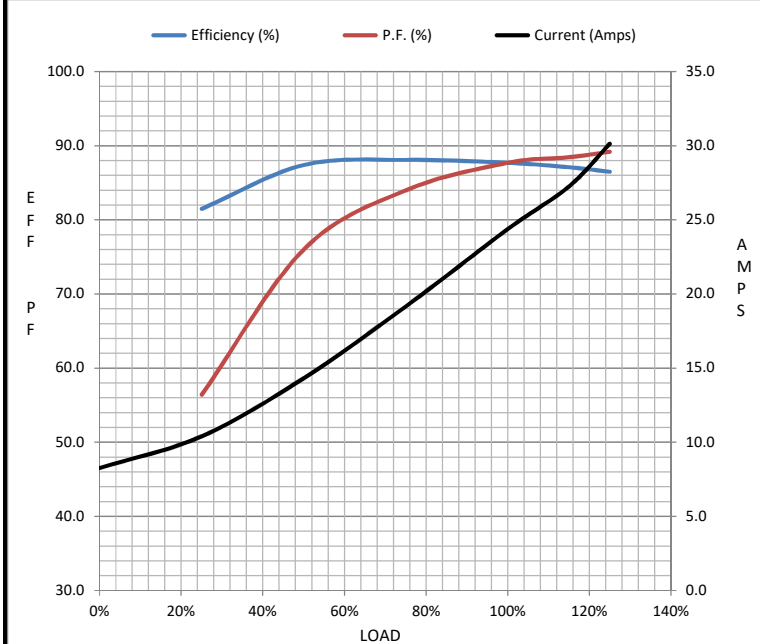
Motor Load Data

Load	0%	25%	50%	75%	100%	115%	125%	LR
Current (Amps)	8.3	10.4	14.3	19.2	24.4	27.3	30.1	199
Torque (ft-lb)	0.00	7.5	15.0	22.5	30.0	33.8	37.5	66.7
RPM	1800	1789	1779	1767	1754	1,748	1740	0
Efficiency (%)		81.5	87.4	88.1	87.7	88.5	86.5	
P.F. (%)	11.0	56.4	76.0	84.0	87.7	88.5	89.2	0.0

Motor Speed Data

	LR	Pull-Up	BD	Rated	Idle
Speed (RPM)	0	200	1350	1754	1800
Current (Amps)	199	183	119	24.4	8.3
Torque (ft-lb)	66.7	65.0	106	30.0	0.00

Information Block				
HP	10.0			
Sync. RPM	1800			
Frame	210			
Enclosure	TEFC			
Construction	NA			
Voltage	208-230 V			
Frequency	60 Hz			
Design	A			
LR Code letter	H			
Service Factor	1.0			
Temp Rise @ FL	102 °C			
Duty	CONT			
Ambient	40 °C			
Elevation	1,000 feet			
Rotor/Shaft wk ²	0.00 Lb-Ft ²			
Ref Wdg	T9(4-8)12 FR			
Sound Pressure @ 1M	0 dBA			
VFD Rating	NONE			
Outline Dwg	OL140444			
Conn. Diag	005200.01			
Additional Specifications:				
0				
0				
EQUIV CKT (OHMS / PHASE)				
R1	R2	X1	X2	Xm
0.0000	0.0000	0.0000	0.0000	0.0000



Speed - Torque Curve

