

PRODUCT INFORMATION PACKET



Model No: 140443.00

Catalog No: 140443.00

Definite Purpose Motor, 7.50 & 1.88 HP, 3 Ph, 60 & 60 Hz, 208-230 & 208-230 V, 1800 & 1800 RPM,
215T Frame, TEFC



Regal and Leeson are trademarks of Regal Rexnord Corporation or one of its affiliated companies.

©2023 Regal Rexnord Corporation, All Rights Reserved. MC017097E



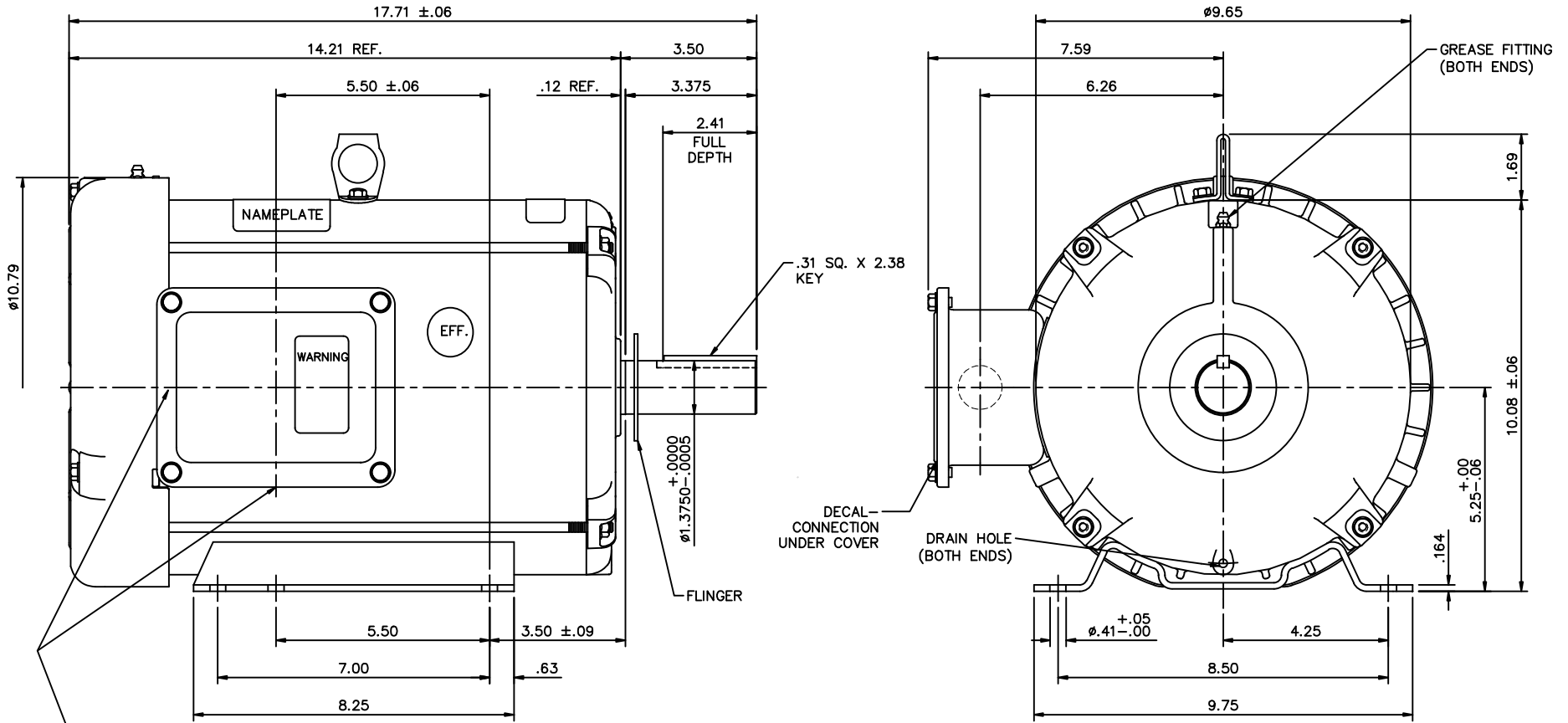


Nameplate Specifications

Phase	3	Output HP	7.50 & 1.88 Hp
Output KW	5.6 & 1.4 kW	Voltage	208-230 & 208-230 V
Speed	1740 & 860 rpm	Service Factor	1.0 & 1.0
Frame	215T	Enclosure	Totally Enclosed Fan Cooled
Thermal Protection	No Protection	Efficiency	85.5 & 80 %
Ambient Temperature	40 °C	Frequency	60 & 60 Hz
Current	19.4 & 6.6 A	Power Factor	87.4
Duty	Continuous	Insulation Class	F
Design Code	NO DESIGN CODE	KVA Code	J
Drive End Bearing Size	6207	Opp Drive End Bearing Size	6206
UL	Recognized	CSA	Y
CE	N	IP Code	43
Number of Speeds	1		

Technical Specifications

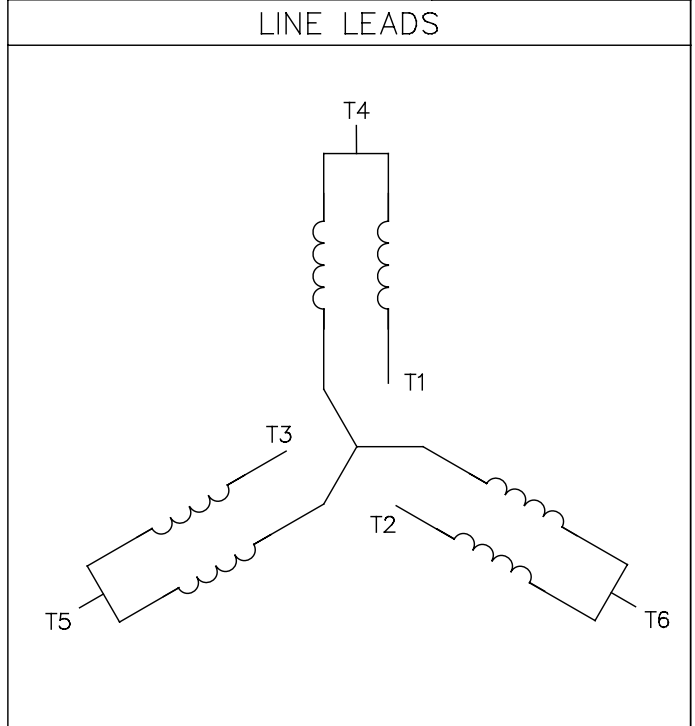
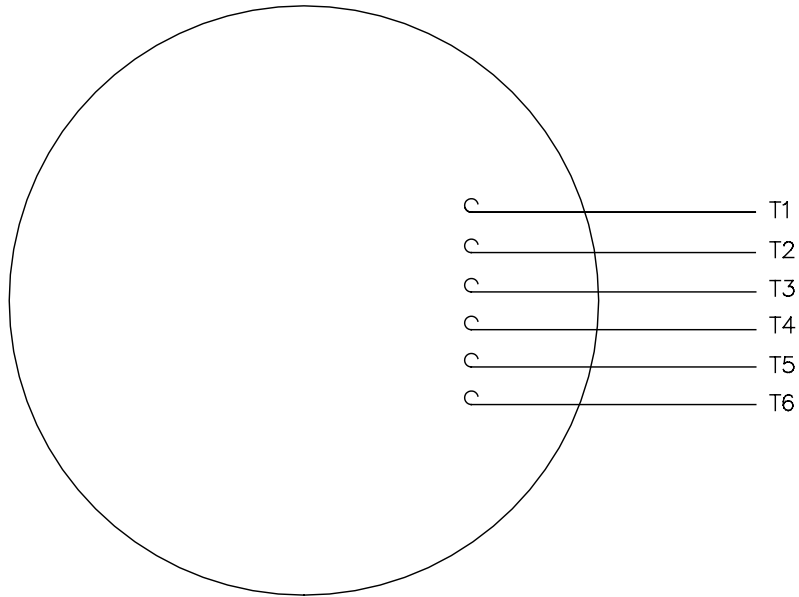
Electrical Type	Squirrel Cage Induction Run	Starting Method	Across The Line
Poles	4	Rotation	Reversible
Resistance Main	0 Ohms	Mounting	Rigid Base
Motor Orientation	Horizontal	Drive End Bearing	Ball
Opp Drive End Bearing	Ball	Frame Material	Rolled Steel
Shaft Type	T	Overall Length	17.71 in
Frame Length	11.00 in	Shaft Diameter	1.375 in
Shaft Extension	3.38 in	Assembly/Box Mounting	F1 ONLY
Connection Drawing	005200.01	Outline Drawing	OL140443



				TOLERANCES UNLESS OTHERWISE SPECIFIED			LEESON ELECTRIC CORPORATION		
				DEC.	INCHES	METRIC			
02	UPDATE PER MT2 CONVERSION	LST 9/3/10		.X	±.1	±2.5	DRAWN RDW 05/09/00	TITLE OUTLINE - L215T FRAME	
01	REMOVED "LEESON" FROM CONDUIT BOX COVER	BPW 05/16/01		.XX	±.03	±.76	APPR. DWF 05/09/00	TEFC - RIGID MOUNT	
	EFF. 07/31/01			.XXX	±.005	±.127	R.F.P. 05/09/00	MAT'L.	
NO.	REVISION	BY & DATE	CH'K'D.	.XXXX	±.0005	±.0127	SCALE 3=8	NLV	
THIS DRAWING IN DESIGN AND DETAIL IS OUR PROPERTY AND MUST NOT BE USED EXCEPT IN CONNECTION WITH OUR WORK. ALL RIGHTS OF DESIGN AND INVENTION ARE RESERVED. THIS IS AN ELECTRONICALLY GENERATED DOCUMENT - DO NOT SCALE THIS PRINT.				FRACTIONS	±1/64	REF. 037511	FINISH STANDARD	REV. 02	DRAWING NO. OL140443
				ANGLES	±1/2°	FMF			

005200-01

VIEW FROM OUTSIDE OF MOTOR AT SWITCH END.



SPEED	L1	L2	L3	JOIN	SEPARATE
HIGH	T6	T4	T5	(T1,T2,T3)	
LOW	T1	T2	T3		(T4)(T5) (T6)

				TOLERANCES UNLESS OTHERWISE SPECIFIED		Regal Beloit America, Inc.				
				DECIMALS						
				.00	± .01	DRAWN PG 08/08/83	TITLE EXTERNAL WIRING DIAGRAM TYPE "T" W/O PROTECTOR			
04	SPEED WAS VOLTAGE	EPB	1/17/00	.000	± .005	CH'K'D. DLL 08/09/83				
03	REDRAWN TO CURRENT STANDARDS	DBT	05/30/97	.0000	± .0005	APPR. KG 08/09/83	MAT'L. DECAL - 004183/080066 2 SPEED 1 WDG. VARIABLE TORQUE MOTOR			
NO.	REVISION	BY	DATE	FRACTIONS	± 1/64	SCALE 1=1				
THIS DRAWING IN DESIGN AND DETAIL IS OUR PROPERTY AND MUST NOT BE USED EXCEPT IN CONNECTION WITH OUR WORK ALL RIGHTS OF DESIGN AND INVENTION ARE RESERVED				ANGLES		REF. 080066	FINISH		SIZE	DRAWING NO.
				INCH/MM				FMF 83648D1		



CERTIFICATION DATA SHEET

**1051 CHEYENNE AVE.
GRAFTON, WI 53024
PH. 262-377-8810**

CATALOG #: 140443.00

CONN. DIAGRAM: 005200.01

OUTLINE: OL140443

MOUNTING: F1 ONLY

WINDING #: T9(4-8)11 FR 1 A

TYPICAL MOTOR PERFORMANCE DATA

HP	kW	SYNC. RPM	F.L. RPM	FRAME	ENCLOSURE	KVA CODE	DESIGN
7 1/2&1.9	5.60&1.42	900	1740&860	215T	TEFC	J	NO DESIGN CODE

PH	Hz	VOLTS	AMPS	START TYPE	DUTY	INSL	S.F.	AMB°C
3	60/60	208-230&208-230	19.4&6.6	ACROSS THE LINE	CONTINUOUS	F4	1.0/1.0	40

FULL LOAD EFF:	85.5&80	3/4 LOAD EFF:	80	1/2 LOAD EFF:	76.6	GTD. EFF	ELEC. TYPE
FULL LOAD PF:	87.4&63	3/4 LOAD PF:	56.3	1/2 LOAD PF:	45.6	0	SQ CAGE IND RUN

F.L. TORQUE	LOCKED ROTOR AMPS	L.R. TORQUE	B.D. TORQUE	F.L. RISE°C
11.4 LB-FT	27.6	15.5 LB-FT 136 %	25.2 LB-FT 221 %	0

SOUND PRESSURE @ 3 FT.	SOUND POWER	ROTOR WK^2	MAX. WK^2	SAFE STALL TIME	STARTS / HOUR	APPROX. MOTOR WGT
0 dBA	10 dBA	0 LB-FT^2	0 LB-FT^2	10 SEC.	0	0 LBS.

***** SUPPLEMENTAL INFORMATION *****

DE BRACKET TYPE	ODE BRACKET TYPE	MOUNT TYPE	ORIENTATION	SEVERE DUTY	HAZARDOUS LOCATION	DRIP COVER	SCREENS	PAINT
STANDARD	STANDARD	RIGID	HORIZONTAL	FALSE	NONE	FALSE	NONE	BLUE - LEESON (ENAMEL)

BEARINGS		GREASE	SHAFT TYPE	SPECIAL DE	SPECIAL ODE	SHAFT MATERIAL	FRAME MATERIAL
DE	ODE						
BALL	BALL	POLYREX EM	T	NONE	NONE	AISI 1045 (C-240)	ROLLED STEEL
6207	6206						

THERMO-PROTECTORS				THERMISTORS	CONTROL	SPACE HEATERS
THERMOSTATS	PROTECTORS	WDG RTDs	BRG RTDs			
NONE	NOT	NONE	NONE	NONE	FALSE	NONE VOLTS

* N O T E S *	INVERTER TORQUE: NONE
	INV. HP SPEED RANGE: NONE
	ENCODER: NONE NONE NONE NONE NONE PPR
BRAKE: NONE NONE NONE P/N NONE NONE NONE NONE FT-LB NONE V NONE Hz	

Data Sheet

Date: 1/23/2018

140443.00



Data @ 230 V

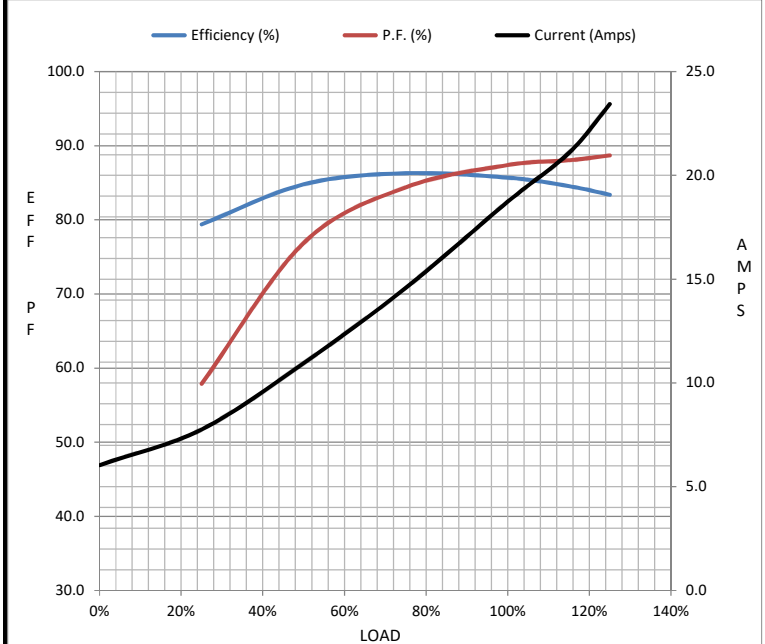
Motor Load Data

Load	0%	25%	50%	75%	100%	115%	125%	LR
Current (Amps)	6.0	7.8	11.0	14.6	18.7	21.1	23.4	124
Torque (ft-lb)	0.00	5.6	11.3	16.9	22.5	25.3	28.1	51.0
RPM	1800	1787	1775	1762	1748	1,741	1730	0
Efficiency (%)		79.4	84.8	86.3	85.7	84.6	83.4	
P.F. (%)	12.3	57.9	76.9	84.4	87.4	88.1	88.7	0.0

Motor Speed Data

	LR	Pull-Up	BD	Rated	Idle
Speed (RPM)	0	200	1340	1748	1800
Current (Amps)	124	114	74.4	18.7	6.0
Torque (ft-lb)	51.0	48.0	68.0	22.5	0.00

Information Block				
HP	7.5			
Sync. RPM	1800			
Frame	210			
Enclosure	TEFC			
Construction	NA			
Voltage	208-230 V			
Frequency	60 Hz			
Design	B			
LR Code letter	J			
Service Factor	1.0			
Temp Rise @ FL	93 °C			
Duty	CONT			
Ambient	40 °C			
Elevation	1,000 feet			
Rotor/Shaft wk ²	0.00 Lb-Ft ²			
Ref Wdg	T9(4-8)11 FR			
Sound Pressure @ 1M	0 dBA			
VFD Rating	NONE			
Outline Dwg	OL140443			
Conn. Diag	005200.01			
Additional Specifications:				
0				
0				
EQUIV CKT (OHMS / PHASE)				
R1	R2	X1	X2	Xm
0.0000	0.0000	0.0000	0.0000	0.0000



Speed - Torque Curve

