

PRODUCT INFORMATION PACKET



Model No: C215K17DB4G

Catalog No: 140311.00

10HP..1740RPM.215.DP./230V.1PH.60HZ.CONT.NOT.40C.1.25SF.RIGID.GENERAL
PURPOSE.C215K17DB4G

Air Compressor



Regal and Leeson are trademarks of Regal Beloit Corporation or one of its affiliated companies.

©2018 Regal Beloit Corporation, All Rights Reserved. MC017097E



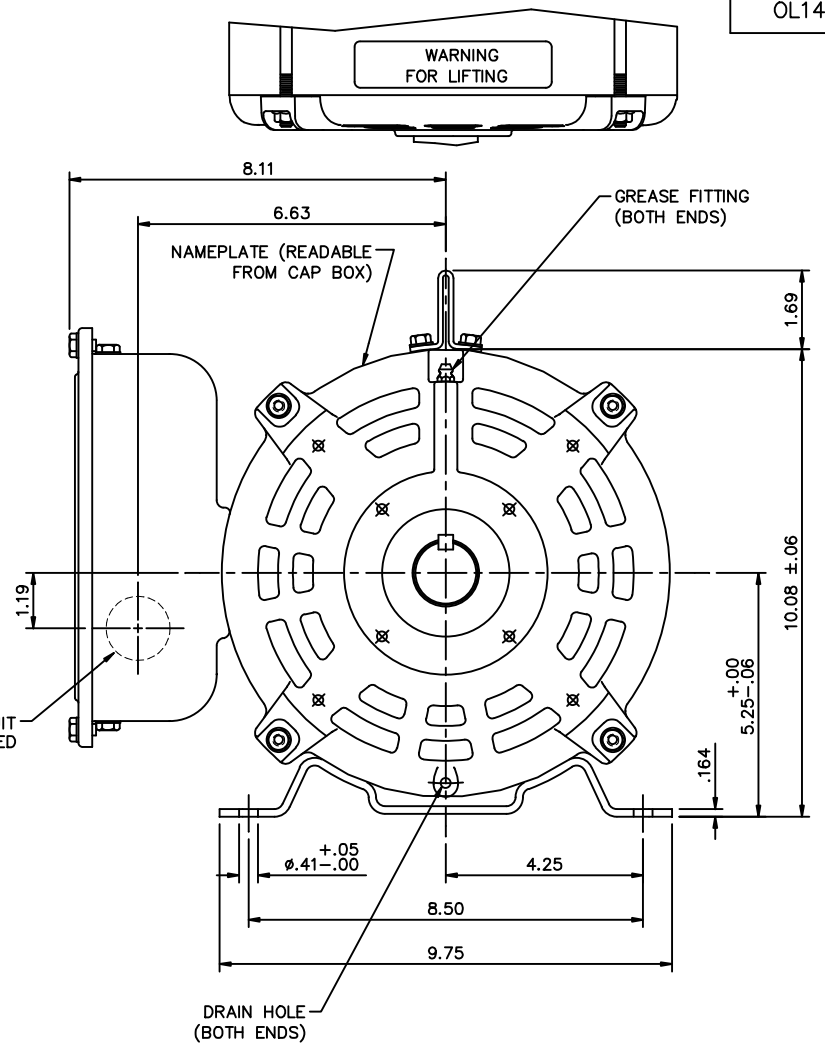
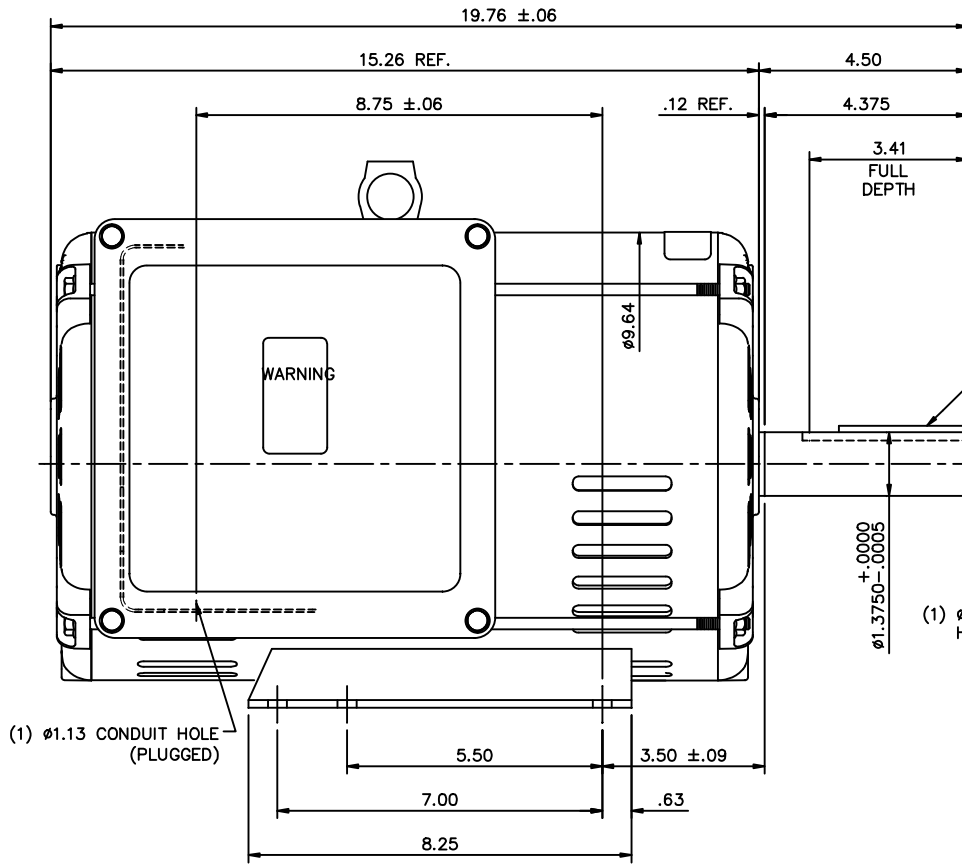


Nameplate Specifications

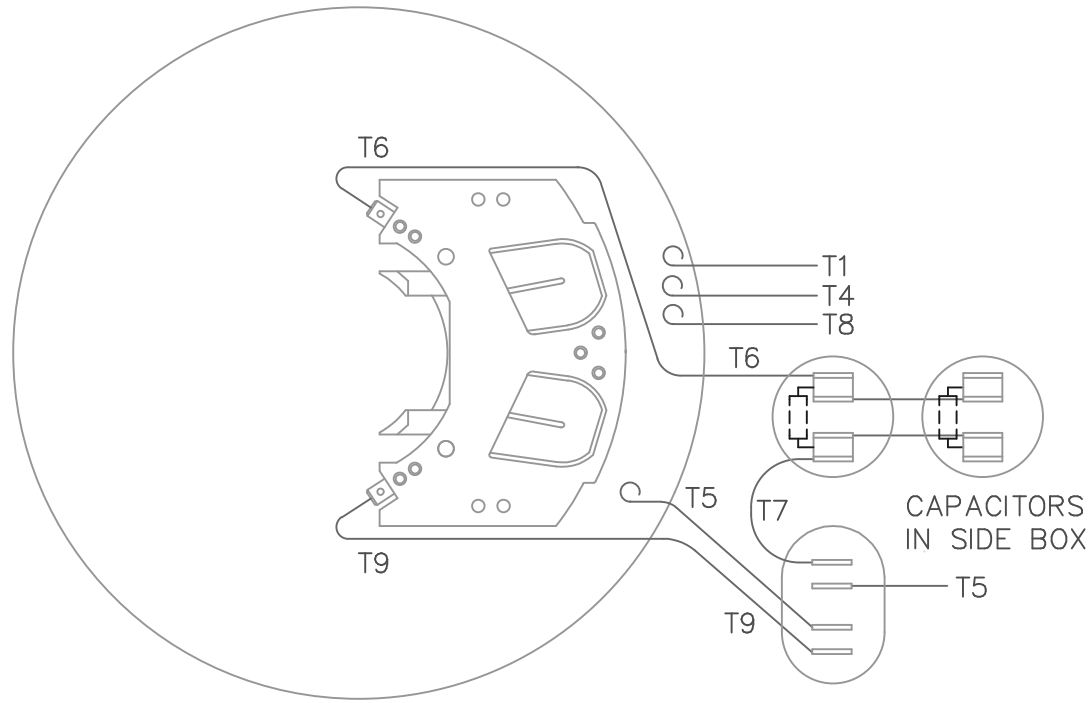
Output HP	10 Hp	Output KW	7.5 kW
Frequency	60 Hz	Voltage	230 V
Current	43 A	Speed	1740 rpm
Service Factor	1.25	Phase	1
Efficiency	81.5 %	Duty	CONTINUOUS
Insulation Class	F	Design Code	L
KVA Code	G	Frame	215TZ
Enclosure	DP	Overload Protector	NOT
Ambient Temperature	40 °C	Drive End Bearing Size	6207
Opp Drive End Bearing Size	6206	UL	Recognized
CSA	Y	CE	N
IP Code	22		

Technical Specifications

Electrical Type	CAP START CAP RUN	Starting Method	ACROSS THE LINE
Poles	4	Rotation	SELECTIVE CCW
Mounting	RIGID	Motor Orientation	HORIZONTAL
Drive End Bearing	BALL	Opp Drive End Bearing	BALL
Frame Material	ROLLED STEEL	Shaft Type	SGL SPL EXT
Overall Length	19.76 in	Frame Length	13.5 in
Shaft Diameter	1.38 in	Shaft Extension	4.37 in
Assembly/Box Mounting	F1 ONLY		
Outline Drawing	OL140311	Connection Diagram	5077.1

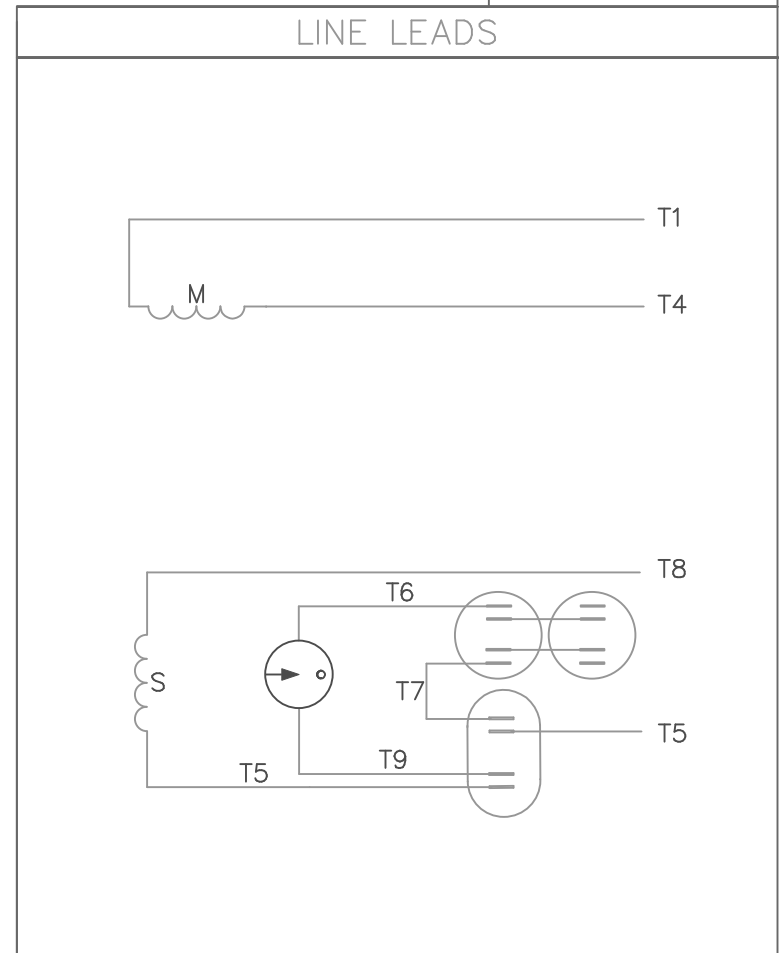


04	4 HOLES ADDED TO DE BRACKET PER ISAAC 09-4736	AK	11/03/09	UNLESS SPECIFIED		ELECTRIC MOTORS GEARMOTORS AND DRIVES	DRAWN	RDW	06/28/00		
03	ADDED WIRING INS. DECAL PER ECR 91408	JWM	8/13/07	DEC.	INCHES		CHK				
02	REMOVED "LEESON" GEOMETRY FROM COVER EFF10.01.01	BPW	06/11/01	.X	±.1		APPD	DWF	06/28/00		
01	8.75 WAS 8.38, (1) φ1.13 & (1) φ1.38 CON HOLES WERE (2) φ1.38 CON HOLES, 8.11 WAS 8.23, 6.63 WAS 6.69, EFF PER CON BOX REV	BPW	02/09/01	.XX	±.03		TITLE			3=8	
				.XXX	±.005	OUTLINE - T215TZ FRAME OPEN DRIP PROOF - RIGID	REF		037549		
				.XXXX	±.0005	MAT'L	FMF				
NO.	REVISION	BY & DATE	CHK	ANG	±1/2"	SUKUP	PREV				
THIS DRAWING IN DESIGN AND DETAIL IS OUR PROPERTY AND MUST NOT BE USED EXCEPT IN CONNECTION WITH OUR WORK ALL RIGHTS OF DESIGN AND INVENTION ARE RESERVED THIS IS AN ELECTRONICALLY GENERATED DOCUMENT - DO NOT SCALE THIS PRINT				RFP	06/28/00	FINISH	CAD FILE	OL140311	SIZE	DRAWING NO.	REV.
			DIST					B	OL140311	04	




VIEW FROM OUTSIDE OF MOTOR AT SWITCH END

CAUTION:
LEAD WIRE INSULATION TO EXTEND MIN. OF 1/4" INTO CONNECTOR INSULATION



ROTATION FACING LEAD END	L1	L2
C.C.W.	T1,T8	T4,T5
C.W.	T1,T5	T4,T8

				TOLERANCES UNLESS SPECIFIED		 ELECTRIC MOTORS GEARMOTORS AND DRIVES	DRAWN RDW 10/11/02 CHK APPD SCALE 1=2 REF 005077-09 FMF 140120 PREV
				DEC.	INCHES		TITLE
				.X	±.1		EXTERNAL WIRING DIAGRAM TYPE "K" W/O PROTECTOR
				.XX	±.01		MAT'L.
				.XXX	±.005		DECAL 004018
				.XXXX	±.0005	FINISH	
NO.	REVISION	BY & DATE	CHK	ANG	±1/2"		
THIS DRAWING IN DESIGN AND DETAIL IS OUR PROPERTY AND MUST NOT BE USED EXCEPT IN CONNECTION WITH OUR WORK ALL RIGHTS OF DESIGN AND INVENTION ARE RESERVED THIS IS AN ELECTRONICALLY GENERATED DOCUMENT - DO NOT SCALE THIS PRINT				RFP	10/11/02	CAD FILE	00507710
				DIST		SIZE	DRAWING NO.
						A	005077-10
							REV.