

PRODUCT INFORMATION PACKET

Model No: 132STFC4526

Catalog No: R328

Cast Iron Motor, 7.50 & 7.50 HP, 3 Ph, 60 & 50 Hz, 230/460 & 200/400 V, 1800 & 1500 RPM,
132S V Frame, TEFC



Regal and Marathon are trademarks of Regal Rexnord Corporation or one of its affiliated companies.

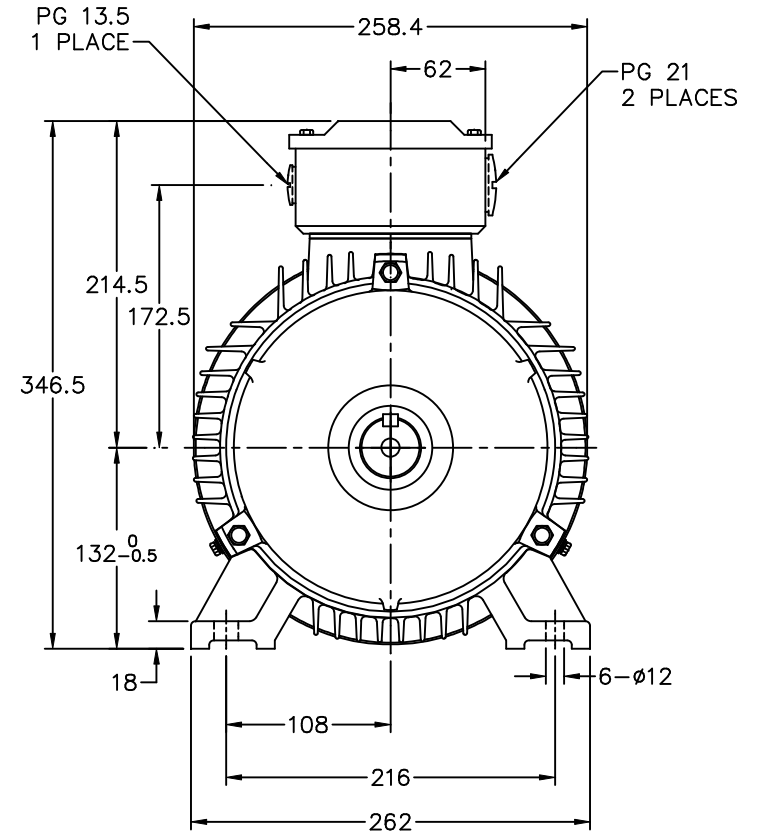
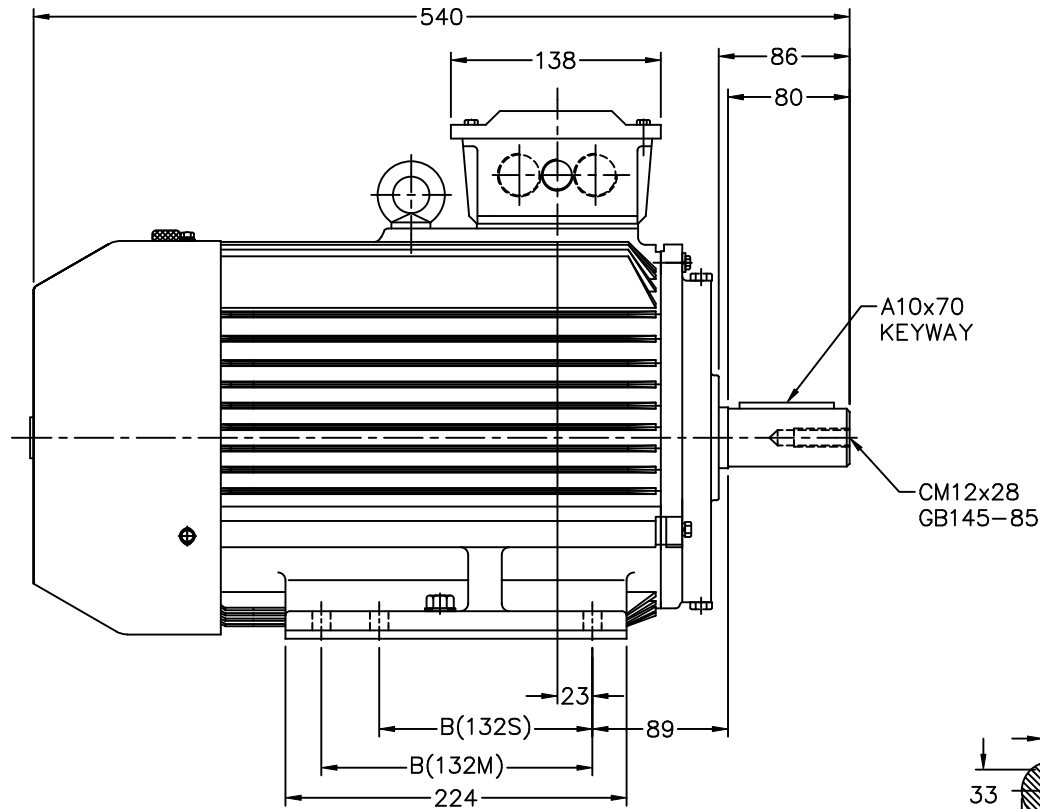
©2023 Regal Rexnord Corporation, All Rights Reserved. MC017097E

Nameplate Specifications

Phase	3	Output HP	7.50 & 7.50 Hp
Output KW	5.6 & 5.6 kW	Voltage	230/460 & 200/400 V
Speed	1770 & 1465 rpm	Service Factor	1.15 & 1.15
Frame	132S V	Enclosure	Totally Enclosed Fan Cooled
Thermal Protection	No Protection	Efficiency	90.2 & 88.5 %
Ambient Temperature	40 °C	Frequency	60 & 50 Hz
Current	20/10 & 23/11.5 A	Power Factor	77.5
Duty	Continuous	Insulation Class	F
Design Code	N (IEC)	KVA Code	K
Drive End Bearing Size	NONE	Opp Drive End Bearing Size	NONE
UL	No	CSA	Y
CE	Y	IP Code	55
Number of Speeds	1		

Technical Specifications

Electrical Type	Squirrel Cage Inverter Rated	Starting Method	Line Or Inverter
Poles	4	Rotation	Reversible
Resistance Main	1.11 Ohms	Mounting	Rigid Base
Motor Orientation	Horizontal Or Shaft Down	Drive End Bearing	Ball
Opp Drive End Bearing	Ball	Frame Material	Cast Iron
Shaft Type	IEC	Overall Length	21.25 in
Shaft Diameter	1.500 in	Shaft Extension	3.15 in
Assembly/Box Mounting	F3		
Outline Drawing	SS620005	Connection Drawing	A-EE7308AA



ALL DIMENSIONS TO BE REF. DIMENSION.

FRAME	B	
132S	140	
132M	178	

		TOLERANCES UNLESS SPECIFIED				DRAWN CTO 09-23-2004		
		DEC.	METRIC			CHK ML 09-24-2004		
		.X	±2.5	TITLE OUTLINE - IEC		APPD SB 09-24-2004		
		.XX	±.76	132 FR.		SCALE 5-16		
		.XXX	±.127	MATL		REF		
1	ADDED DASH 132M FR. SIZE & REISSUED	CTO 10-08-2004	SB	.XXXX	±.0127	FMF		
NO.	REVISION	BY & DATE	CHK	ANG	±7'30"	PREV		
THIS DRAWING IN DESIGN AND DETAIL IS OUR PROPERTY AND MUST NOT BE USED EXCEPT IN CONNECTION WITH OUR WORK ALL RIGHTS OF DESIGN AND INVENTION ARE RESERVED THIS IS AN ELECTRONICALLY GENERATED DOCUMENT - DO NOT SCALE THIS PRINT				RFP	CAD FILE ss620005	SIZE B	DRAWING NO. SS620005	PAGE OF 1
				DIST WA				



LOW VOLTAGE



HIGH VOLTAGE



VIEW OF TERMINAL END

DRAWING REVISION K	REVISION BY AJW	DATE 07-17-2015
ECO ECO-0081632	APPROVED BY T. VUE	DATE 07-17-2015
ECO DESCRIPTION REV'D IEC MARKINGS PER IEC 60034-8		
COPYRIGHT REGAL BELOIT AMERICA, INC. ALL RIGHTS RESERVED. PROPRIETARY AND CONFIDENTIAL INFORMATION - THIS DOCUMENT IS THE PROPERTY OF REGAL BELOIT AMERICA, INC. ("OWNER") AND CONTAINS OWNER'S PROPRIETARY INFORMATION. ANY PERSON, CORPORATION OR OTHER FIRM RECEIVING IT IS DEEMED, BY RECEIVING IT, TO AGREE THAT IT, AND/OR ANY PART OF IT, SHALL NOT BE DISCLOSED TO ANY PERSON, CORPORATION OR OTHER ENTITY, DUPLICATED, AND/OR USED, EXCEPT AS EXPRESSLY APPROVED IN WRITING IN ADVANCE BY OWNER. THIS DOCUMENT SHALL BE RETURNED TO OWNER UPON REQUEST. IT MAY BE SUBJECT TO CERTAIN RESTRICTIONS UNDER APPLICABLE EXPORT CONTROL LAWS AND REGULATIONS.		



DRAWN BY LZ	Regal Beloit America, Inc.	
DATE 01-12-1994		
APPROVED BY GK	DESCRIPTION CONN DIAGRAM-EXTERNAL 3Ø-2/1 DELTA-12 LEADS	
DATE 01-14-1994		
REFERENCE	MATERIAL	PROCESS/FINISH
THIRD ANGLE PROJECTION	SIZE A	DRAWING NUMBER EE7308AA
		SHEET 1 OF 1