

# PRODUCT INFORMATION PACKET



Model No: 132687.00

Catalog No: 132687.00

132687.00..3HP..3500RPM.182TC.TEFC.112/208-230V.1PH.60HZ.CONT.40C.1.15SF.ROUND C-FACE.....

Regal and Leeson are trademarks of Regal Rexnord Corporation or one of its affiliated companies.

©2023 Regal Rexnord Corporation, All Rights Reserved. MC017097E





**Nameplate Specifications**

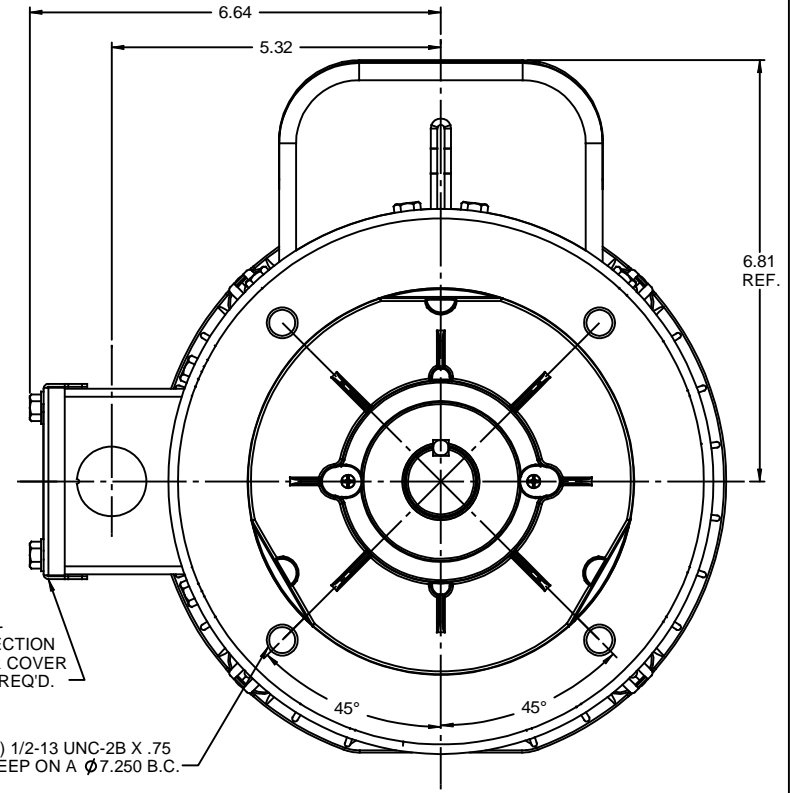
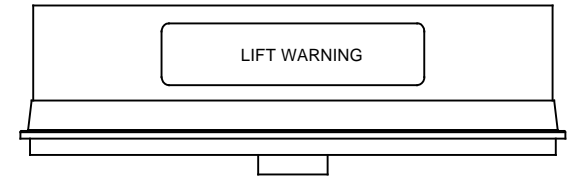
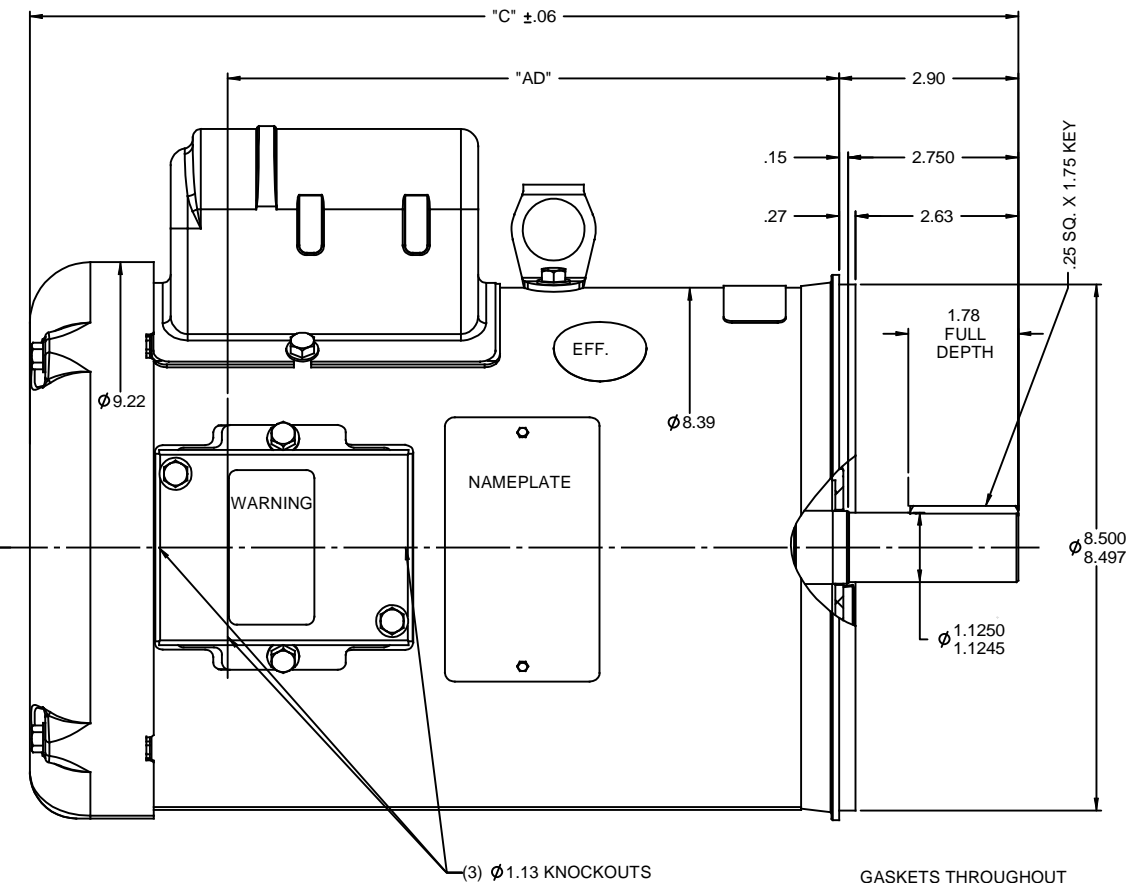
Output HP	<b>3 Hp</b>	Output KW	<b>2.2 kW</b>
Frequency	<b>60 Hz</b>	Voltage	<b>115/208-230 V</b>
Current	<b>26.8/14.4-13.4 A</b>	Speed	<b>3500 rpm</b>
Service Factor	<b>1.15</b>	Phase	<b>1</b>
Efficiency	<b>80 %</b>	Power Factor	<b>89</b>
Duty	<b>Continuous</b>	Insulation Class	<b>F</b>
Design Code	<b>L</b>	KVA Code	<b>G</b>
Frame	<b>182TC</b>	Enclosure	<b>Totally Enclosed Fan Cooled</b>
Thermal Protection	<b>No Protection</b>	Ambient Temperature	<b>40 °C</b>
Drive End Bearing Size	<b>6206</b>	Opp Drive End Bearing Size	<b>6205</b>
UL	<b>Recognized</b>	CSA	<b>Y</b>
CE	<b>Y</b>	IP Code	<b>43</b>
Number of Speeds	<b>1</b>		

**Technical Specifications**

Electrical Type	<b>Capacitor Start Capacitor Run</b>	Starting Method	<b>Across The Line</b>
Poles	<b>2</b>	Rotation	<b>Selective Counterclockwise</b>
Resistance Main	<b>.12 Ohms</b>	Mounting	<b>Round</b>
Motor Orientation	<b>Horizontal</b>	Drive End Bearing	<b>Ball</b>
Opp Drive End Bearing	<b>Ball</b>	Frame Material	<b>Rolled Steel</b>
Shaft Type	<b>T</b>	Assembly/Box Mounting	<b>F1 ONLY</b>
Outline Drawing	<b>035746-950</b>	Connection Drawing	<b>005054.01</b>

This is an uncontrolled document once printed or downloaded and is subject to change without notice. Date Created:03/30/2023

RBC PROPRIETARY AND CONFIDENTIAL INFORMATION  
 This document is the property of REGAL BELOIT CORPORATION ("RBC") including its subsidiaries and divisions and contains proprietary information of RBC. This document is loaned on the express condition that neither it nor the information contained therein shall be disclosed to others without the express written consent of RBC, and that the information shall be used by the recipient only as approved expressly by RBC. This document shall be returned to RBC upon its request. This document may be subject to certain restrictions under U.S. export control laws and regulations.



DECAL-  
CONNECTION  
UNDER COVER  
WHEN REQ'D.

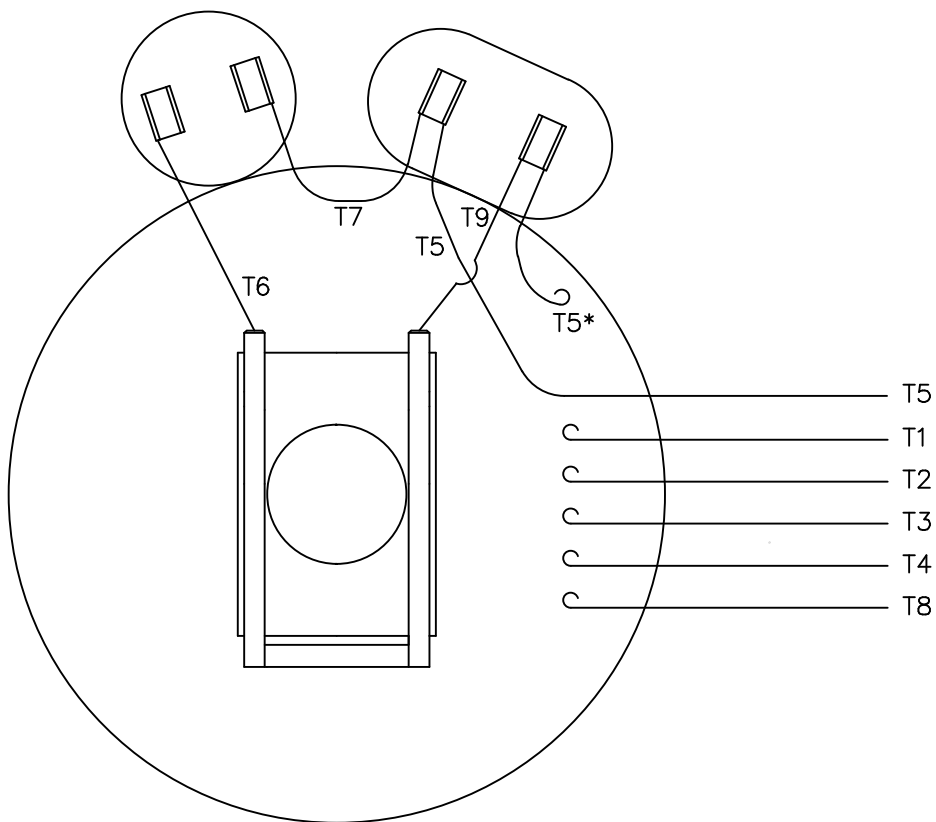
(4) 1/2-13 UNC-2B X .75  
DEEP ON A Ø7.250 B.C.

GASKETS THROUGHOUT  
 MAXIMUM FACE RUNOUT TO BE .004 T.I.R.  
 MAXIMUM PILOT ECCENTRICITY TO BE .004 T.I.R.  
 PERMISSIBLE SHAFT RUNOUT TO BE .002 T.I.R.

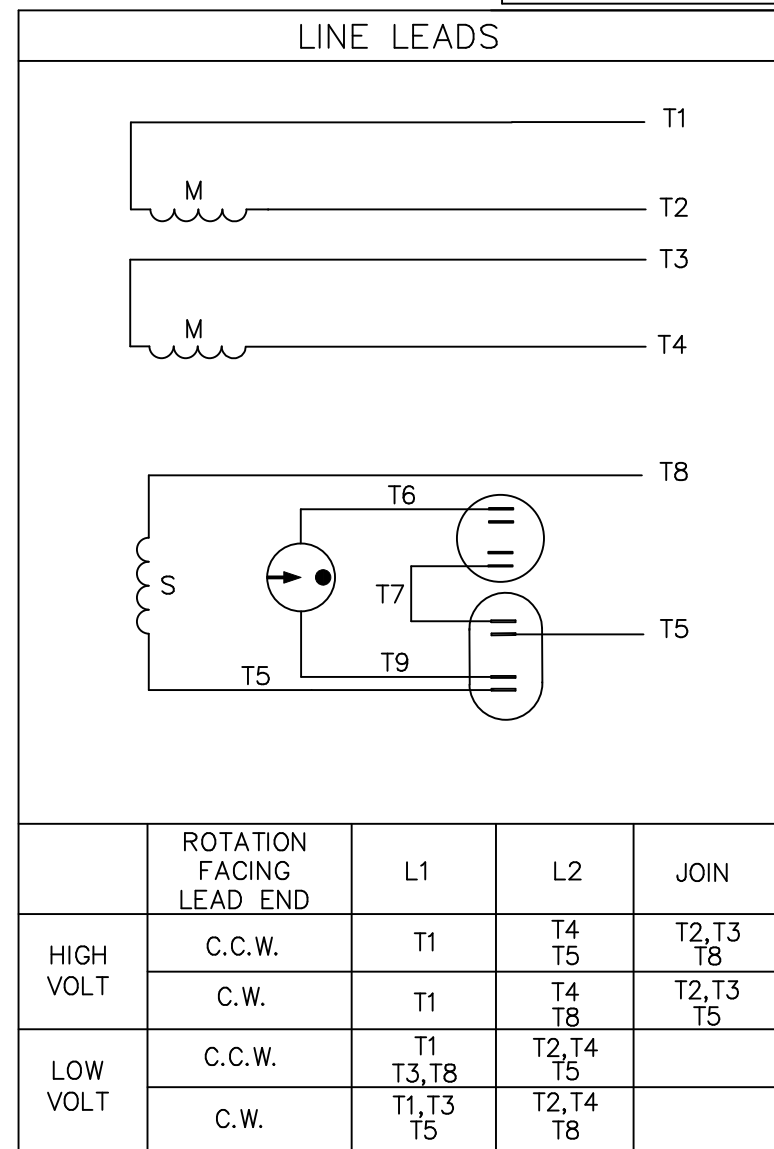
DASH NO.	"C"	"AD"
800	13.47	7.38
850	13.97	7.88
900	14.47	8.38
950	14.97	8.88
1000	15.47	9.38
1050	15.97	9.88
1100	16.47	10.38
1150	16.97	10.88
1200	17.47	11.38

NO.		REVISION	BY & DATE	CHK	ANG	±1/2°	FINISH	PREV	SIZE	DRAWING NO	PAGE	OF	REV
				RFP					B	035746			
THIRD ANGLE PROJECTION				TOLERANCES UNLESS SPECIFIED:		TITLE		DRAWN		LST		1/9/10	
				DEC INCHES		OUTLINE - 184TC FRAME		CHK		APPR		SCALE 1:2	
				X ±.1		TEFC - "C" FACE		REF		FMF		PAGE	
				.XX ±.03				MAT'L					
				.XXX ±.005									
				.XXX ±.005									
				RFP									
				NETWORK FILE NAME									

VIEW FROM OUTSIDE OF MOTOR AT SWITCH END.



\* THIS LEAD MAY BE WHITE



NO.	REVISION	BY & DATE	CHK	TOLERANCES UNLESS SPECIFIED	
				DEC.	INCHES
				.X	±.1
11	ALTERNATE T5 LEAD MARKING WAS RED	RLW 8/6/02	.XX	±.01	
10	ADDED ALTERNATE T5 LEAD MARKING	RLW 6/5/02	KH	.XXX	±.005
09	REDRAWN TO CAD	DBT 05/28/97		.XXXX	±.0005
				ANG	±1/2°



ELECTRIC MOTORS  
GEARMOTORS  
AND DRIVES

DRAWN	JRW 09/27/74
CHK	TEM
APPD	10/11/74
SCALE	1=1
REF	A-005053
FMF	W-K6343
PREV	

TITLE  
EXT. WIRING DIAGRAM  
TYPE "K" W/O PROTECTOR

MAT'L. DECAL-004012

FINISH

THIS DRAWING IN DESIGN AND DETAIL IS OUR PROPERTY AND MUST NOT BE USED EXCEPT IN CONNECTION WITH OUR WORK ALL RIGHTS OF DESIGN AND INVENTION ARE RESERVED THIS IS AN ELECTRONICALLY GENERATED DOCUMENT - DO NOT SCALE THIS PRINT

RFP  
CAD FILE 00505401  
DIST BRF-NLV

SIZE A  
DRAWING NO. 005054-01  
REV. 11

## EC Declaration of Conformity

The undersigned representing  
the manufacturer:

Regal Beloit America  
100 East Randolph St.  
Wausau, WI 54401

and the authorized representative  
established within the Community:

Marathon Electric UK  
6F Thistleton Road Ind. Estate  
Market Overton  
Oakham, Rutland LE15 7PP UK

are committed to providing customers with products that comply with applicable regulations and international protocols to which they are subject, including the requirements of the European Parliament Directive on the Harmonization of the laws relating to electrical equipment designed for use within certain voltage limits (2014/35/EU).

Regal Beloit America declares that the following product(s), to which this declaration relates, are in conformity with the relevant sections of the EC standards listed below.

This statement supersedes any statements previously issued pertaining to the product(s) listed below and is subject to change without notice.

Model No : 132687.00

(Model No. may contain prefix and/or suffix characters)

Catalog No : 132687.00

Rework No : N/A

Directives :

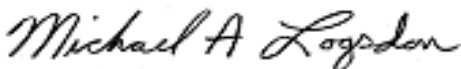
Low Voltage Directive 2014/35/EU

Harmonized Standards Used :

EN 60034-1: 2010 (IEC 60034-1: 2010)

EN 60034-5: 2001/A1:2007 (IEC 60034-5: 2000/A1:2006)

Authorized Representative:



Michael A. Logsdon  
Vice President, Technology

Authorized Representative in the Community:



Julian Clark  
Marketing Engineer

Created on 09/01/2022

**CE 22**