

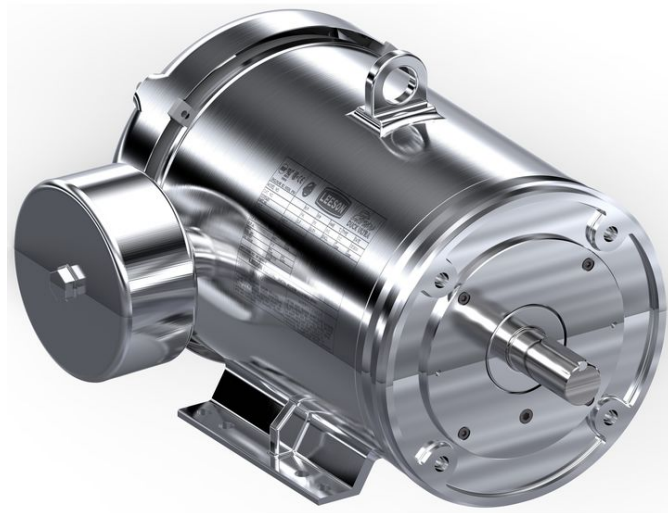
# PRODUCT INFORMATION PACKET



Model No: 132646.00

Catalog No: 132646.00

Extreme Duck® Ultra General Purpose Motor, 3 & 3 HP, 3 Ph, 60 & 50 Hz, 230/460 & 190/380 V,  
3600 & 3000 RPM, 184TC Frame, TEFC



Regal and Leeson are trademarks of Regal Rexnord Corporation or one of its affiliated companies.

©2023 Regal Rexnord Corporation, All Rights Reserved. MC017097E





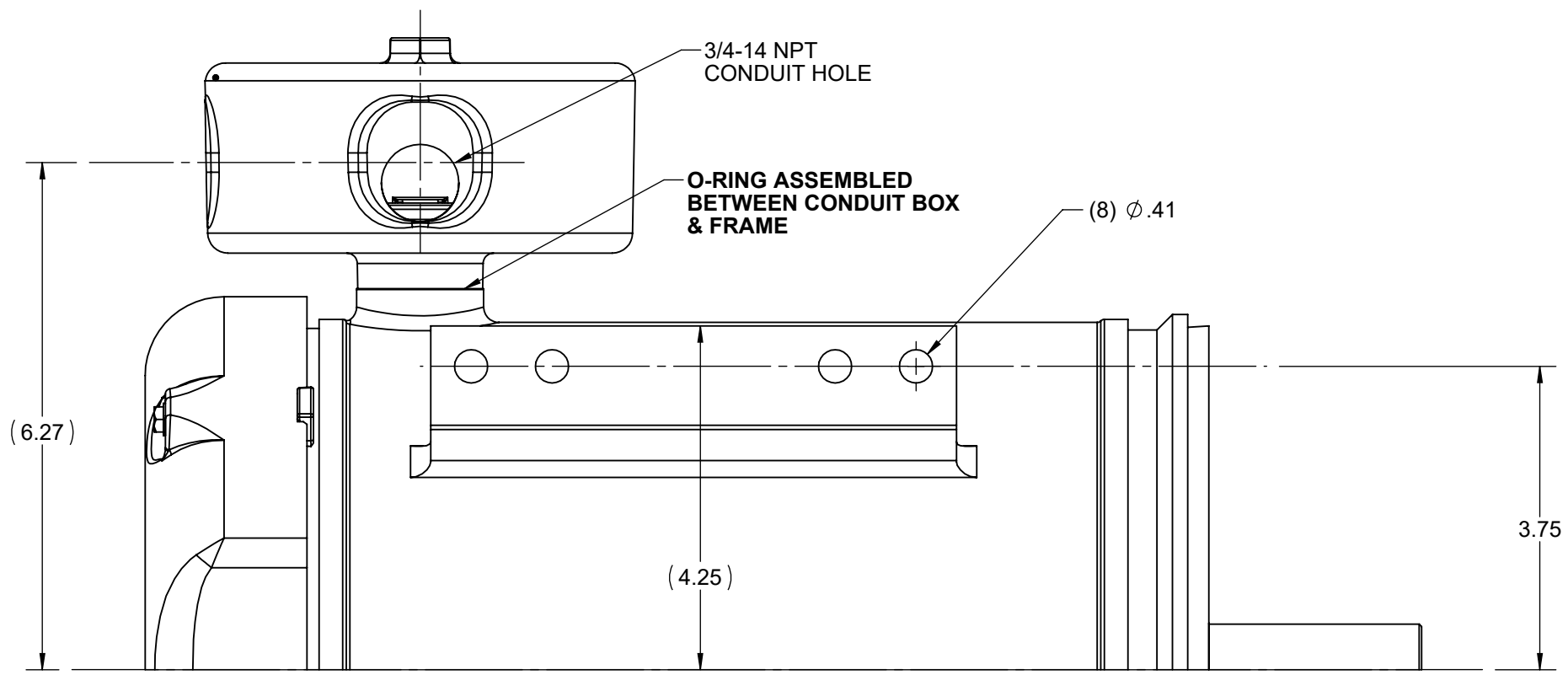
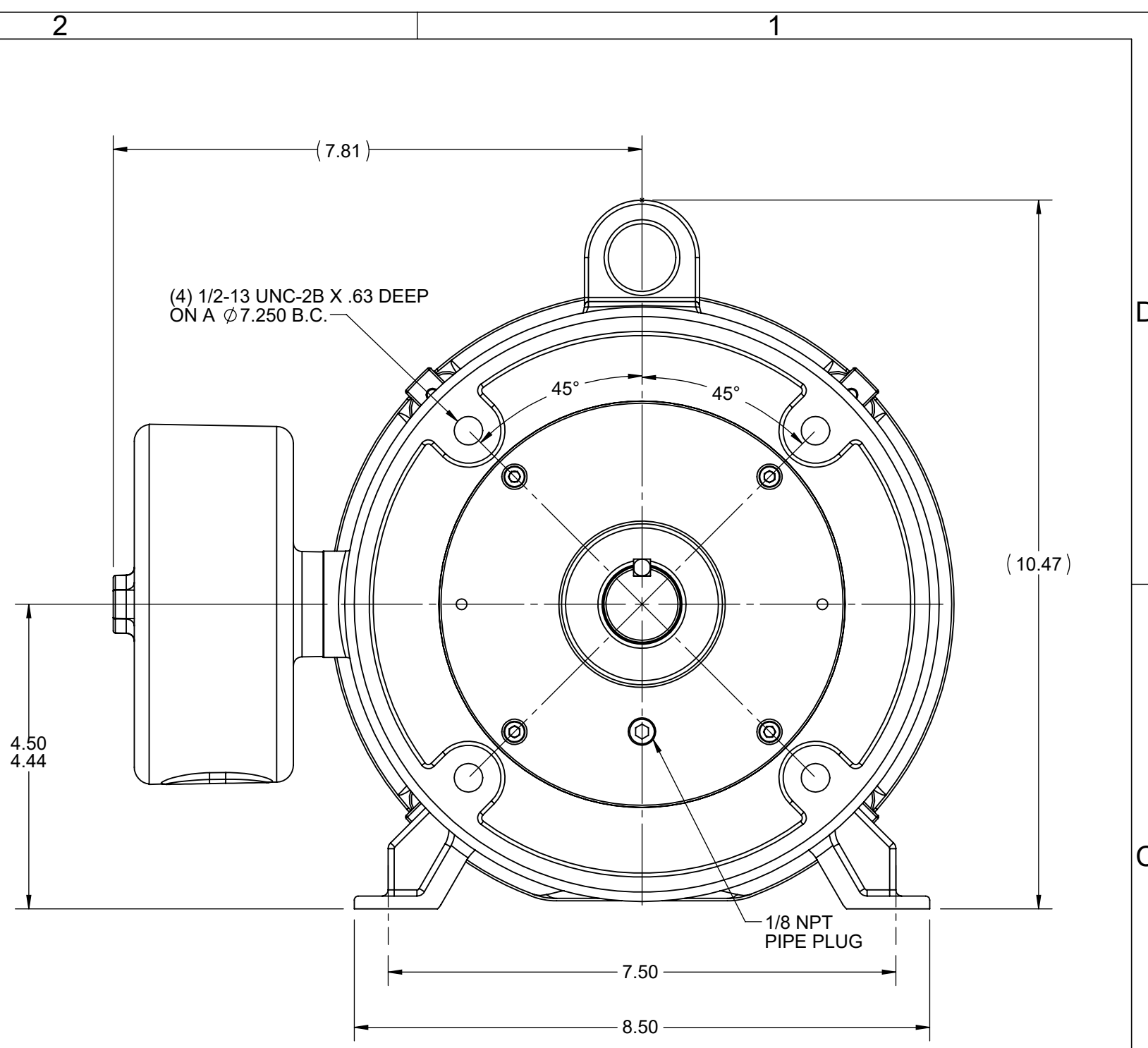
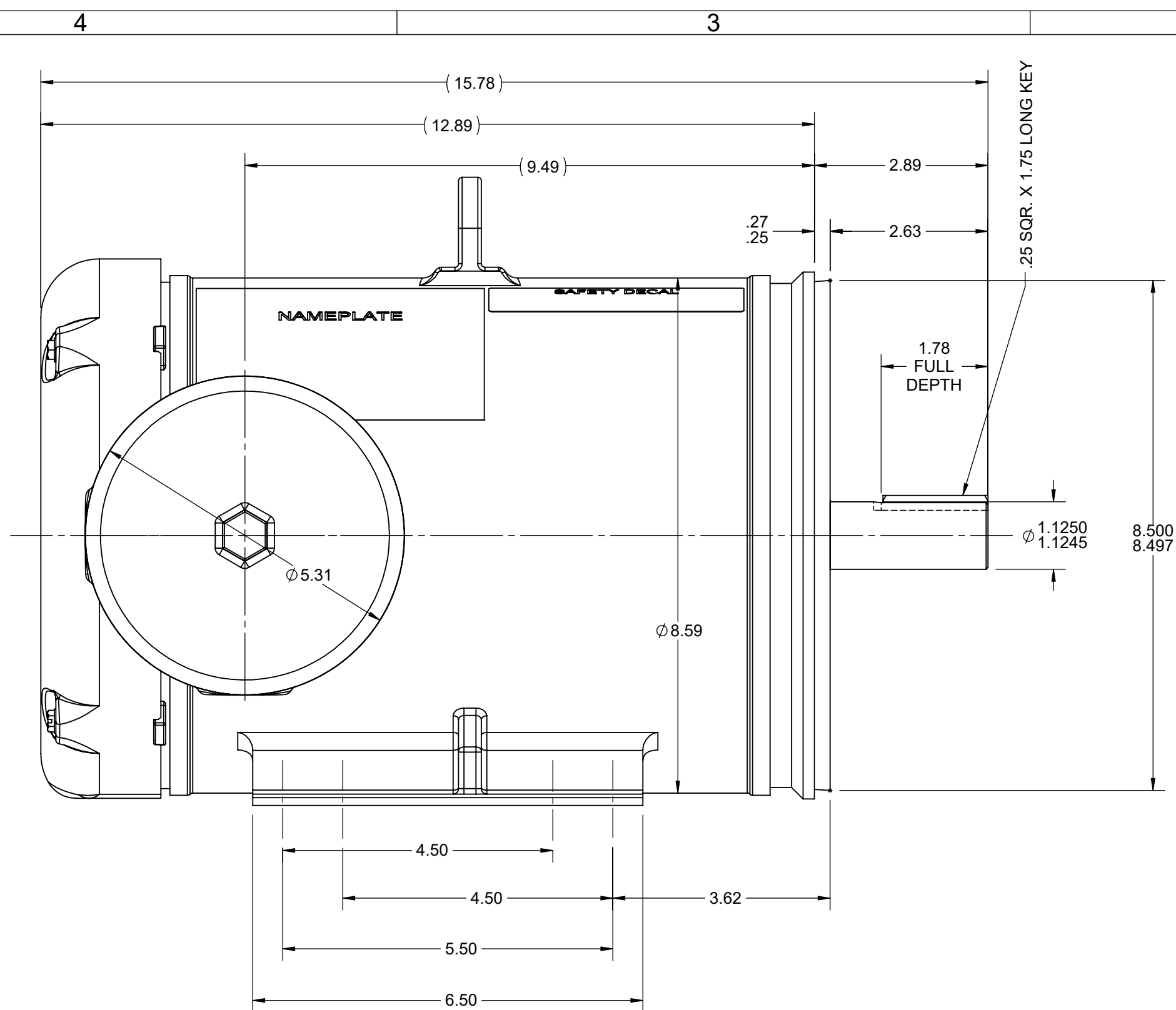
### Nameplate Specifications

|                        |                                |                            |                                    |
|------------------------|--------------------------------|----------------------------|------------------------------------|
| Phase                  | <b>3</b>                       | Output HP                  | <b>3 &amp; 3 Hp</b>                |
| Output KW              | <b>2.2 &amp; 2.2 kW</b>        | Voltage                    | <b>230/460 &amp; 190/380 V</b>     |
| Speed                  | <b>3510 &amp; 2912 rpm</b>     | Service Factor             | <b>1.15 &amp; 1.15</b>             |
| Frame                  | <b>184TC</b>                   | Enclosure                  | <b>Totally Enclosed Fan Cooled</b> |
| Thermal Protection     | <b>No Protection</b>           | Efficiency                 | <b>86.5 &amp; 84.5 %</b>           |
| Ambient Temperature    | <b>40 °C</b>                   | Frequency                  | <b>60 &amp; 50 Hz</b>              |
| Current                | <b>7.6/3.8 &amp; 9.4/4.7 A</b> | Power Factor               | <b>83.7</b>                        |
| Duty                   | <b>Continuous</b>              | Insulation Class           | <b>F</b>                           |
| Design Code            | <b>B</b>                       | KVA Code                   | <b>K</b>                           |
| Drive End Bearing Size | <b>6207</b>                    | Opp Drive End Bearing Size | <b>6207</b>                        |
| UL                     | <b>Recognized</b>              | CSA                        | <b>Y</b>                           |
| CE                     | <b>Y</b>                       | IP Code                    | <b>69</b>                          |
| Number of Speeds       | <b>1</b>                       |                            |                                    |

### Technical Specifications

|                   |                                     |                       |                            |
|-------------------|-------------------------------------|-----------------------|----------------------------|
| Electrical Type   | <b>Squirrel Cage Inverter Rated</b> | Starting Method       | <b>Line Or Inverter</b>    |
| Poles             | <b>2</b>                            | Rotation              | <b>Selective Clockwise</b> |
| Mounting          | <b>Rigid Base</b>                   | Motor Orientation     | <b>Horizontal</b>          |
| Drive End Bearing | <b>Ball</b>                         | Opp Drive End Bearing | <b>Ball</b>                |
| Frame Material    | <b>Stainless Steel</b>              | Shaft Type            | <b>T</b>                   |
| Shaft Diameter    | <b>1.125 in</b>                     | Assembly/Box Mounting | <b>F1 ONLY</b>             |
| Inverter Load     | <b>VARIABLE 10:1</b>                |                       |                            |
| Outline Drawing   | <b>OL132646</b>                     | Connection Drawing    | <b>005010.52</b>           |

This is an uncontrolled document once printed or downloaded and is subject to change without notice. Date Created:11/16/2023

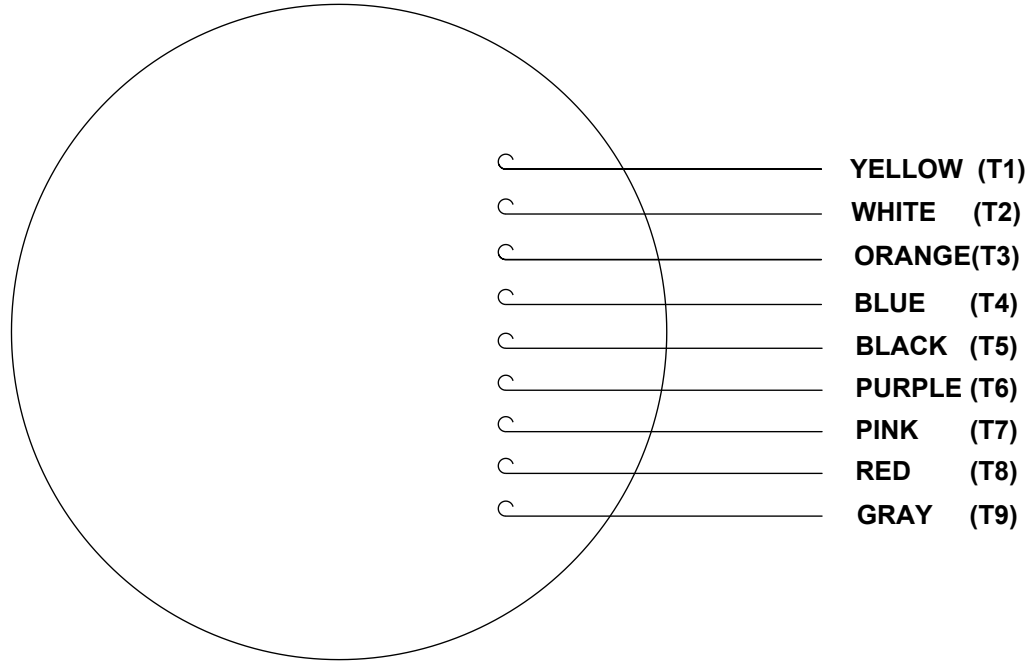


**SPECIAL FEATURES:**

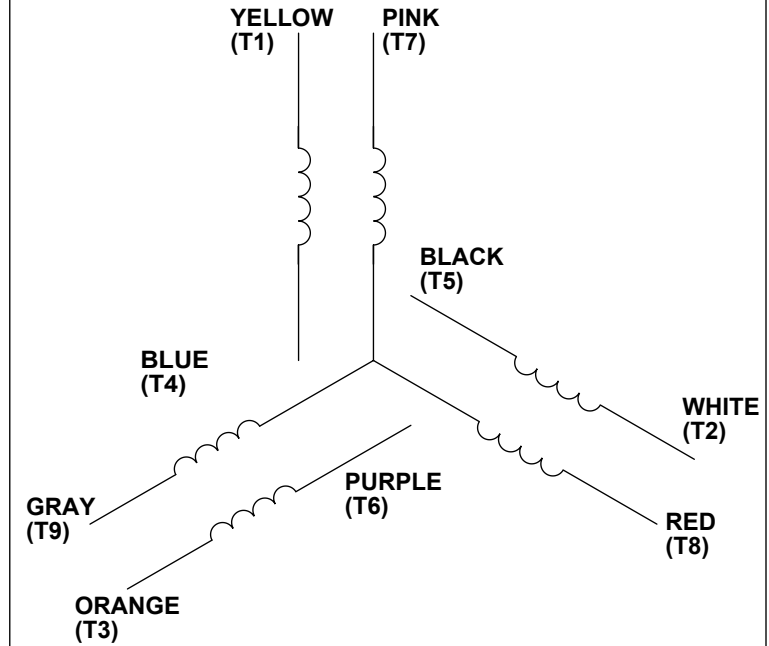
- 1) STAINLESS STEEL CONSTRUCTION
- 2) FULLY ENCAPSULATED MOTOR
- 3) 360° ROTATABLE CONDUIT BOX
- 4) IP69 RATED CONSTRUCTION

|   |                   |                             |  |                 |  |
|---|-------------------|-----------------------------|--|-----------------|--|
| DRAWING REVISION<br>J   | REVISION BY<br>SP | REV DATE/DATE<br>07/09/2021 | TOLERANCES (EXCEPT AS NOTED):<br>DEC. INCH mm ANGLE  | DRAWN BY<br>LST | Regal Beloit America, Inc.                               |
| ECO<br>CR-0003448   | APPROVED BY<br>VJ | DATE<br>07/09/2021          | .X ±0.1 [±3] ±0.5°<br>.XX ±0.03 [±0.8]<br>.XXX ±0.005 [±0.13]<br>.XXXX ±0.0005 [±0.013]  | DATE<br>6/22/17 |  |
| ECO DESCRIPTION<br>SLOTS REMOVED FROM C FACE TENON CR-0002915   |                   |                             | REMOVE BURRS & BREAK SHARP EDGES: .003/.015 [.08/.38] X 45°<br>CORNER FILLETS: R.02 [5]<br>MACHINED SURFACES: .125/ mm 3.2 INCH/mm | APPROVED BY     | DESCRIPTION<br>OUTLINE<br>180TC FRAME - TEFC - RIGID "C" |
| <small>COPYRIGHT (PER REVISION DATE) REGAL BELOIT AMERICA, INC. ALL RIGHTS RESERVED. PROPRIETARY AND CONFIDENTIAL INFORMATION - THIS DOCUMENT IS THE PROPERTY OF REGAL BELOIT AMERICA, INC. ("OWNER") AND CONTAINS OWNER'S PROPRIETARY INFORMATION. ANY PERSON, CORPORATION OR OTHER FIRM RECEIVING IT IS DEEMED, BY RECEIVING IT, TO AGREE THAT IT, AND/OR ANY PART OF IT, SHALL NOT BE DISCLOSED TO ANY PERSON, CORPORATION OR OTHER ENTITY, DUPLICATED, AND/OR USED, EXCEPT AS EXPRESSLY APPROVED IN WRITING IN ADVANCE BY OWNER. THIS DOCUMENT SHALL BE RETURNED TO OWNER UPON REQUEST. IT MAY BE SUBJECT TO CERTAIN RESTRICTIONS UNDER APPLICABLE EXPORT CONTROL LAWS AND REGULATIONS.</small> |                   |                             | THIRD ANGLE PROJECTION   | REFERENCE       | MATERIAL   |
|   |                   |                             | mm DIMENSIONS IN [BRACKETS] ARE FOR REFERENCE ONLY   | SIZE<br>C       | DRAWING NUMBER<br>OL132646                               |
|   |                   |                             |  |                 | PROCESS/FINISH   |
|   |                   |                             |  |                 | SHEET<br>1 OF 1  |

VIEW FROM OUTSIDE OF MOTOR AT SWITCH END.



## LINE LEADS



| VOLTAGE | L1    | L2    | L3    | JOIN & INSULATE               |
|---------|-------|-------|-------|-------------------------------|
| HIGH    | T1    | T2    | T3    | (T4,T7)<br>(T5,T8)<br>(T6,T9) |
| LOW     | T1,T7 | T2,T8 | T3,T9 | T4,T5,T6                      |

RBC PROPRIETARY AND CONFIDENTIAL INFORMATION  
This document is the property of REGAL BELOIT CORPORATION ("RBC") including its subsidiaries and divisions and contains proprietary information of RBC. This document is loaned on the express condition that neither it nor the information contained therein shall be disclosed to others without the express written consent of RBC, and that the information shall be used by the recipient only as approved expressly by RBC. This document shall be returned to RBC upon its request. This document may be subject to certain restrictions under U.S. export control laws and regulations.

|   |                           |                         |
|---|---------------------------|-------------------------|
| DRAWING REVISION<br><b>C</b>  | REVISION BY<br><b>PVR</b> | DATE<br><b>04/23/14</b> |
| ECO<br><b>ECO-0049985</b>   | APPROVED BY<br><b>JD</b>  | DATE<br><b>04/23/14</b> |
| ECO DESCRIPTION<br><b>UPDATED PER ECO-0049985</b>   |                           |                         |
| <small>COPYRIGHT REGAL BELOIT AMERICA, INC. ALL RIGHTS RESERVED.<br/>PROPRIETARY AND CONFIDENTIAL INFORMATION - THIS DOCUMENT IS THE PROPERTY OF REGAL BELOIT AMERICA, INC. ("OWNER") AND CONTAINS OWNER'S PROPRIETARY INFORMATION. ANY PERSON, CORPORATION OR OTHER FIRM RECEIVING IT IS DEEMED, BY RECEIVING IT, TO AGREE THAT IT, AND/OR ANY PART OF IT, SHALL NOT BE DISCLOSED TO ANY PERSON, CORPORATION OR OTHER ENTITY, DUPLICATED, AND/OR USED, EXCEPT AS EXPRESSLY APPROVED IN WRITING IN ADVANCE BY OWNER. THIS DOCUMENT SHALL BE RETURNED TO OWNER UPON REQUEST. IT MAY BE SUBJECT TO CERTAIN RESTRICTIONS UNDER APPLICABLE EXPORT CONTROL LAWS AND REGULATIONS.</small> |                           |                         |

|  |         |           |       |
|--|---------|-----------|-------|
| TOLERANCES UNLESS OTHERWISE SPECIFIED: |         |           |       |
| DEC.                                   | INCH    | mm        | ANGLE |
| .X                                     | ±0.1    | [±2.5]    | ±0.5° |
| .XX                                    | ±0.01   | [±0.25]   |       |
| .XXX                                   | ±0.005  | [±0.127]  |       |
| .XXXX                                  | ±0.0005 | [±0.0127] |       |
| REMOVE BURRS & BREAK SHARP             |         |           |       |
| EDGES: .003/.015 [.076/.381]           |         |           |       |
| CORNER FILLETS: .02 [.51]              |         |           |       |
| MACHINED SURFACES: 125/3.2             |         |           |       |
| INCH  mm                               |         |           |       |
| mm SHOWN IN [BRACKETS]                 |         |           |       |

|                        |
|------------------------|
| DRAWN BY<br><b>LST</b> |
| DATE<br><b>4/3/14</b>  |
| APPROVED BY            |
| DATE                   |
| PROCESS/FINISH         |
| THIRD ANGLE PROJECTION |

**Regal Beloit America, Inc.**

|  |                                   |
|--|-----------------------------------|
| DESCRIPTION<br><b>LEAD ASSY<br/>EXT. WIRING DIA. 3 PH. W/O PROT.</b> | MATERIAL                          |
| SIZE<br><b>A</b>   | DRAWING NUMBER<br><b>00501052</b> |
| SHEET<br><b>1 OF 1</b>   |                                   |

## EC Declaration of Conformity

The undersigned representing  
the manufacturer:

Regal Beloit America  
100 East Randolph St.  
Wausau, WI 54401

and the authorized representative  
established within the Community:

Marathon Electric UK  
6F Thistleton Road Ind. Estate  
Market Overton  
Oakham, Rutland LE15 7PP UK

are committed to providing customers with products that comply with applicable regulations and international protocols to which they are subject, including the requirements of the European Parliament Directive on the Harmonization of the laws relating to electrical equipment designed for use within certain voltage limits (2014/35/EU).

Regal Beloit America declares that the following product(s), to which this declaration relates, are in conformity with the relevant sections of the EC standards listed below.

This statement supersedes any statements previously issued pertaining to the product(s) listed below and is subject to change without notice.

Model No : 132646.00

(Model No. may contain prefix and/or suffix characters)

Catalog No : 132646.00

Rework No : N/A

Directives :

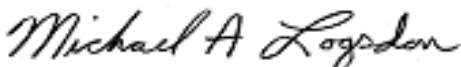
Low Voltage Directive 2014/35/EU

Harmonized Standards Used :

EN 60034-1: 2010 (IEC 60034-1: 2010)

EN 60034-5: 2001/A1:2007 (IEC 60034-5: 2000/A1:2006)

Authorized Representative:



Michael A. Logsdon  
Vice President, Technology

Authorized Representative in the Community:



Julian Clark  
Marketing Engineer

Created on 09/01/2022

**CE 22**