

PRODUCT INFORMATION PACKET



Model No: 132637.00

Catalog No: 132637.00

Crop Dryer Motor, 7.50 & 10 HP, 1 Ph, 60 & 60 Hz, 230 & 230 V, 3600 & 3600 RPM, 184TZ Frame, OAO

Regal and Leeson are trademarks of Regal Rexnord Corporation or one of its affiliated companies.

©2023 Regal Rexnord Corporation, All Rights Reserved. MC017097E





Nameplate Specifications

Phase	1	Output HP	7.50 & 10 Hp
Output KW	5.6 & 7.5 kW	Voltage	230 & 230 V
Speed	3490 & 3440 rpm	Service Factor	1.0 & 1.0
Frame	184TZ	Enclosure	Open Air Over
Thermal Protection	Thermostat	Efficiency	82.5 & 83.2 %
Ambient Temperature	40 °C	Frequency	60 & 60 Hz
Current	31 & 40 A	Power Factor	96.8
Duty	Continuous	Insulation Class	F
Design Code	NO DESIGN CODE	KVA Code	C
Drive End Bearing Size	6206	Opp Drive End Bearing Size	6205
UL	Recognized	CSA	Y
CE	Y	IP Code	10
Number of Speeds	1		

Technical Specifications

Electrical Type	Permanent Split Capacitor	Starting Method	Across The Line
Poles	2	Rotation	Selective Counterclockwise
Resistance Main	0 Ohms	Mounting	Rigid Base
Motor Orientation	Horizontal	Drive End Bearing	Ball
Opp Drive End Bearing	Ball	Frame Material	Rolled Steel
Shaft Type	Single Special Extension	Shaft Diameter	1.125 in
Assembly/Box Mounting	F1/F2 CAPABLE		
Outline Drawing	OL132637	Connection Drawing	00536810

This is an uncontrolled document once printed or downloaded and is subject to change without notice. Date Created:06/22/2023

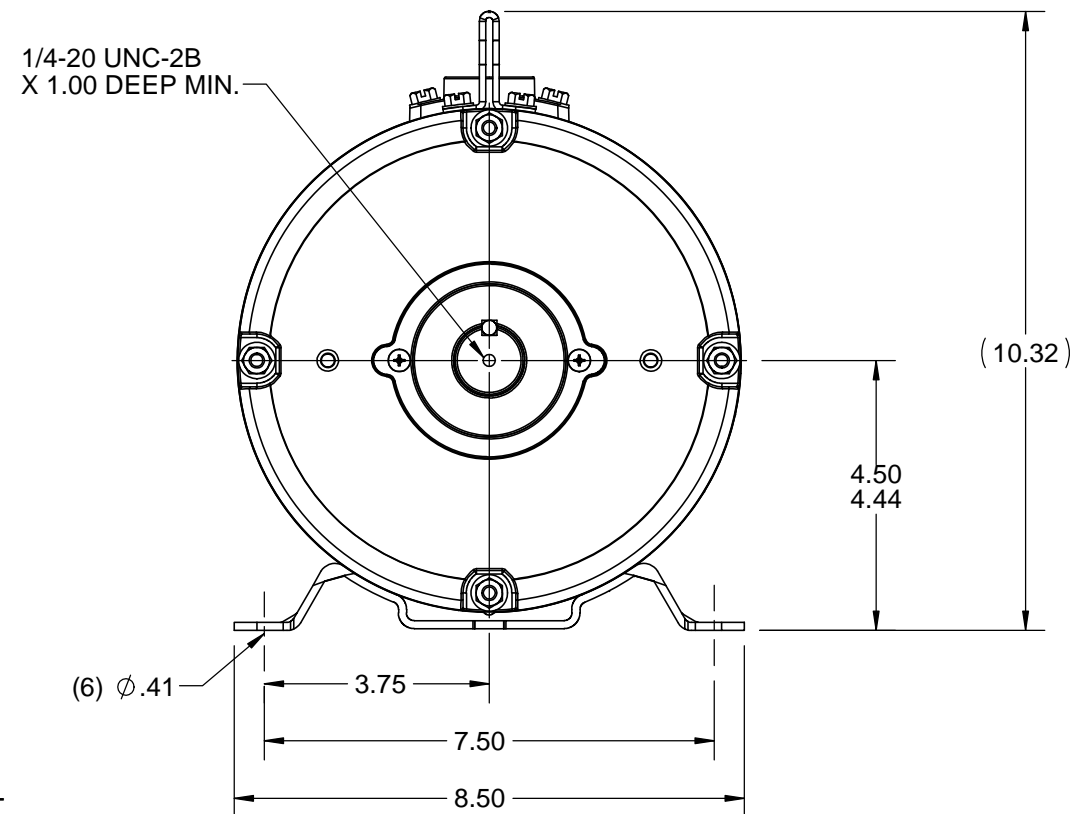
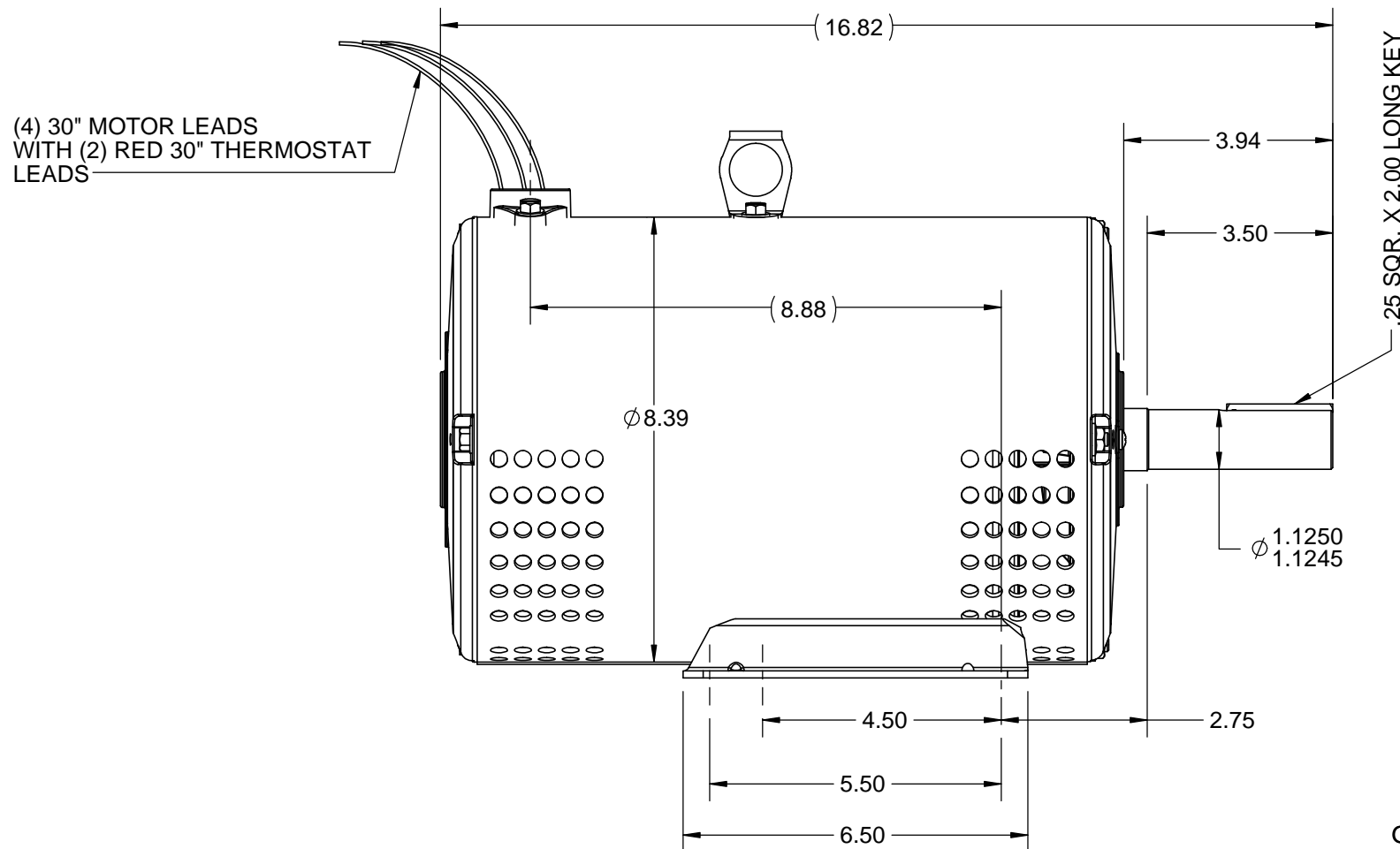
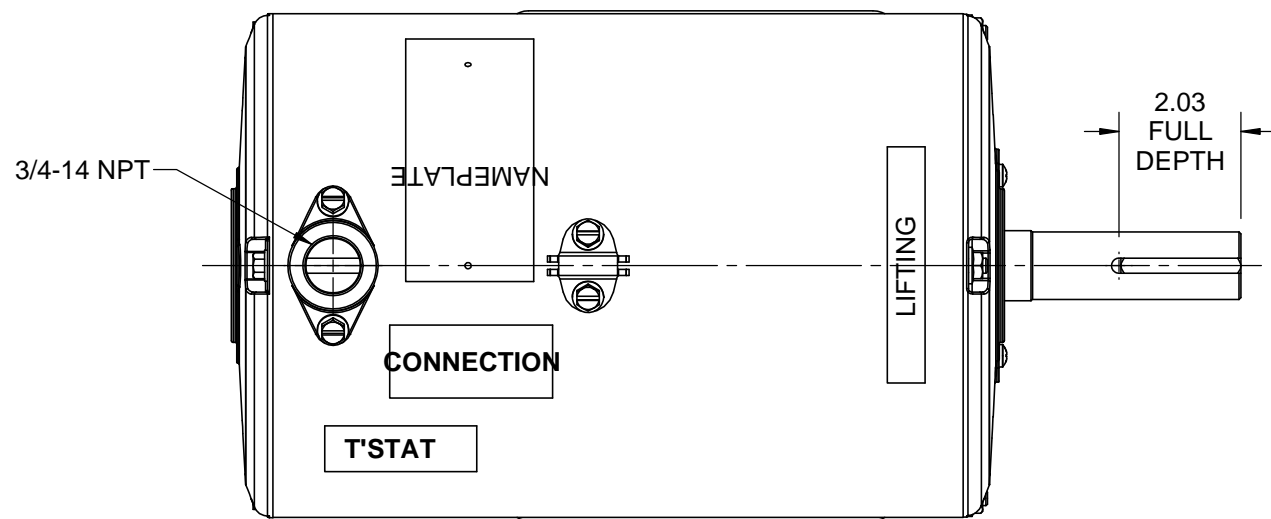
4

3

Uncontrolled Copy

2

1



GASKET THROUGHOUT

DRAWING REVISION A	REVISION BY	DATE
ECO ECO-0123322	APPROVED BY	DATE
ECO DESCRIPTION RELEASED		
<small>COPYRIGHT REGAL BELOIT AMERICA, INC. ALL RIGHTS RESERVED. PROPRIETARY AND CONFIDENTIAL INFORMATION - THIS DOCUMENT IS THE PROPERTY OF REGAL BELOIT AMERICA, INC. ("OWNER") AND CONTAINS OWNER'S PROPRIETARY INFORMATION. ANY PERSON, CORPORATION OR OTHER FIRM RECEIVING IT IS DEEMED, BY RECEIVING IT, TO AGREE THAT IT, AND/OR ANY PART OF IT, SHALL NOT BE DISCLOSED TO ANY PERSON, CORPORATION OR OTHER ENTITY, DUPLICATED, AND/OR USED, EXCEPT AS EXPRESSLY APPROVED IN WRITING IN ADVANCE BY OWNER. THIS DOCUMENT SHALL BE RETURNED TO OWNER UPON REQUEST. IT MAY BE SUBJECT TO CERTAIN RESTRICTIONS UNDER APPLICABLE EXPORT CONTROL LAWS AND REGULATIONS.</small>		

TOLERANCES UNLESS OTHERWISE SPECIFIED:			
DEC.	INCH	mm	ANGLE
.X	± 0.1	[± 2.5]	$\pm 0.5^\circ$
.XX	± 0.03	[± 0.76]	
.XXX	± 0.005	[± 0.127]	
.XXXX	± 0.0005	[± 0.0127]	
REMOVE BURRS & BREAK SHARP EDGES: .003/.015 [0.076/.381] X 45°			
CORNER FILLETS: R.02 [.51]			
MACHINED SURFACES: 125 INCH $\sqrt{\text{mm}}$ 3.2			
mm SHOWN IN [BRACKETS]			

DRAWN BY LST
DATE 4/17/17
APPROVED BY
DATE
REFERENCE 6KHF9A
THIRD ANGLE PROJECTION

REGAL ™ Regal Beloit America, Inc.	
DESCRIPTION OUTLINE 180TZ FRAME - DP - RIGID MOUNT	
MATERIAL	PROCESS/FINISH
SIZE B	DRAWING NUMBER OL132637
SHEET 1 OF 1	

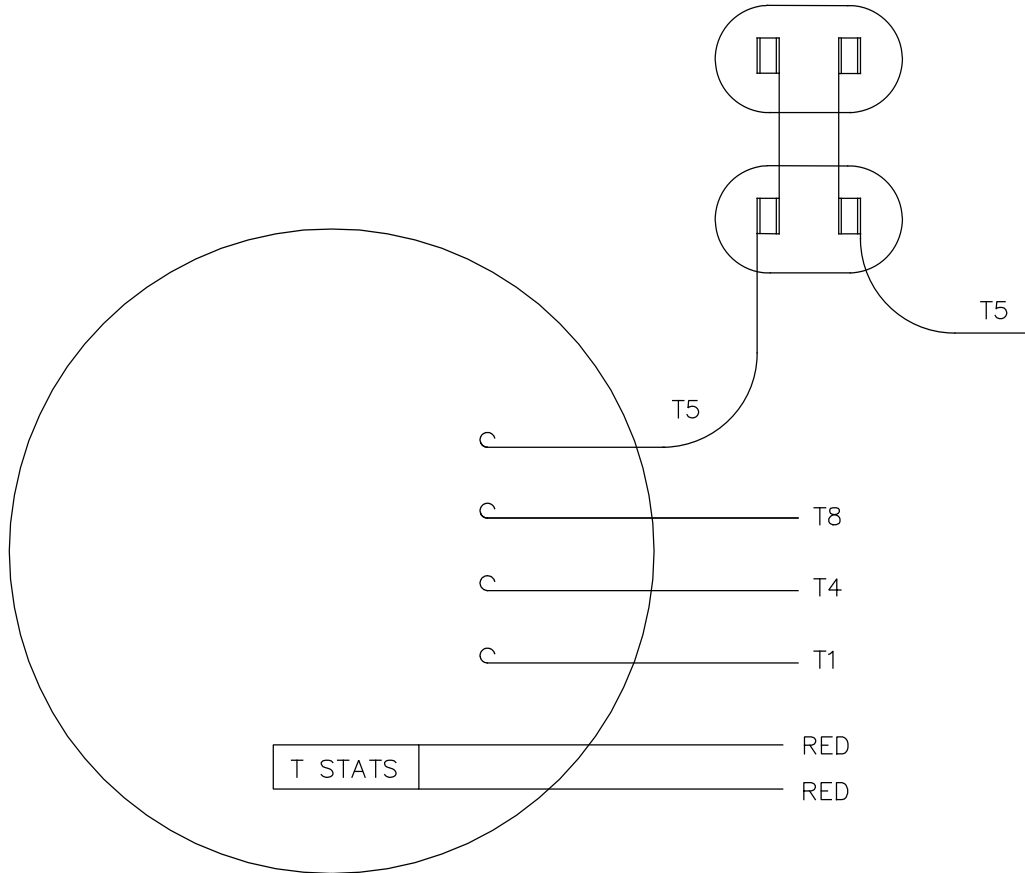
4

3

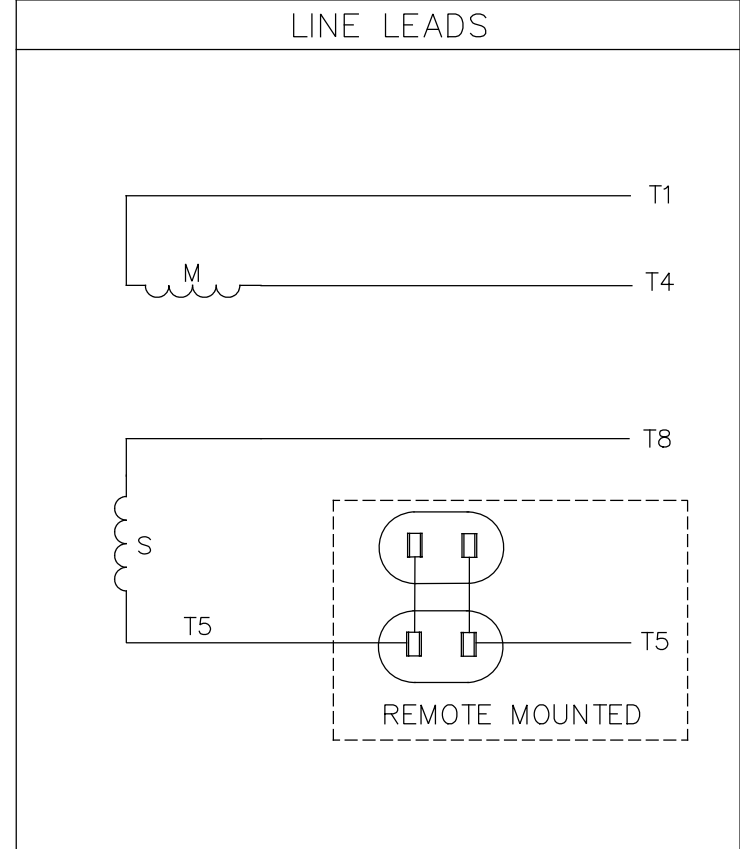
2

1

REMOTE MOUNTED CAPACITORS BY CUSTOMER




VIEW FROM OUTSIDE OF MOTOR AT LEAD END.



ROTATION FACING LEAD END	L1	L2	
C.W.	T1,T5	T4,T8	
C.C.W	T1,T8	T4,T5	

ORACLE REV.
00

				TOLERANCES UNLESS SPECIFIED		 Regal Beloit America, Inc.		DRAWN LST 5/1/17		
				DEC.	INCHES			CHK		
				.X	±.1	TITLE		SCALE	2=1	
				.XX	±.01	EXTERNAL WIRING DIAGRAM		REF	005368-07WD	
				.XXX	±.005	TYPE "P" W/O PROTECTION		FMF		
A	RELEASED	LST 5/1/17		.XXXX	±.0005	MAT'L.		PREV		
NO.	REVISION	BY & DATE	CHK	ANG	±1/2"	FINISH				
THIS DRAWING IN DESIGN AND DETAIL IS OUR PROPERTY AND MUST NOT BE USED EXCEPT IN CONNECTION WITH OUR WORK ALL RIGHTS OF DESIGN AND INVENTION ARE RESERVED THIS IS AN ELECTRONICALLY GENERATED DOCUMENT - DO NOT SCALE THIS PRINT				RFP	CAD FILE NPCPR161268			SIZE	DRAWING NO.	REV.
				DIST				A	005368-10	A