

PRODUCT INFORMATION PACKET

Model No: 132586.00

Catalog No: 132586.00

132586.00..5HP..1500RPM.184T.TEFC.220V.1PH.50HZ.CONT.40C.1.0SF.RIGID.....

Regal and are trademarks of Regal Rexnord Corporation or one of its affiliated companies.
©2022 Regal Rexnord Corporation, All Rights Reserved. MC017097E



Nameplate Specifications

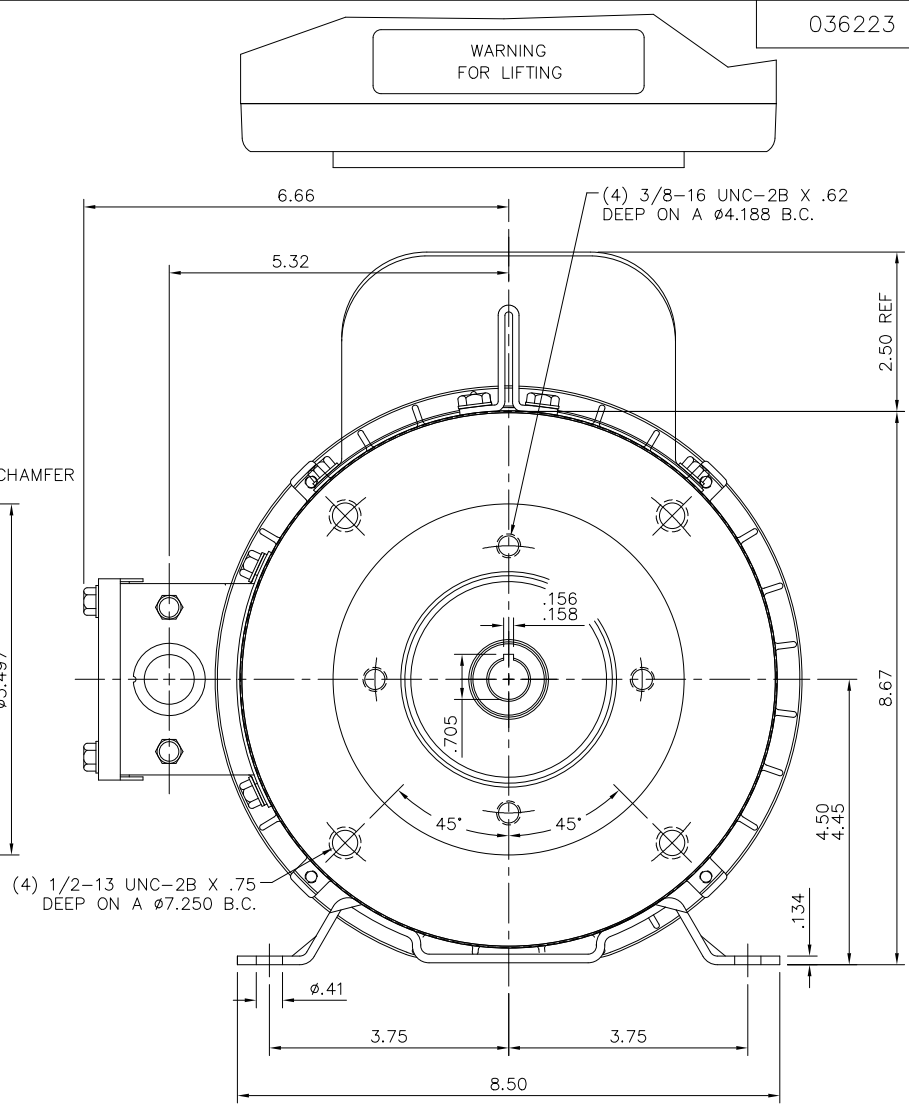
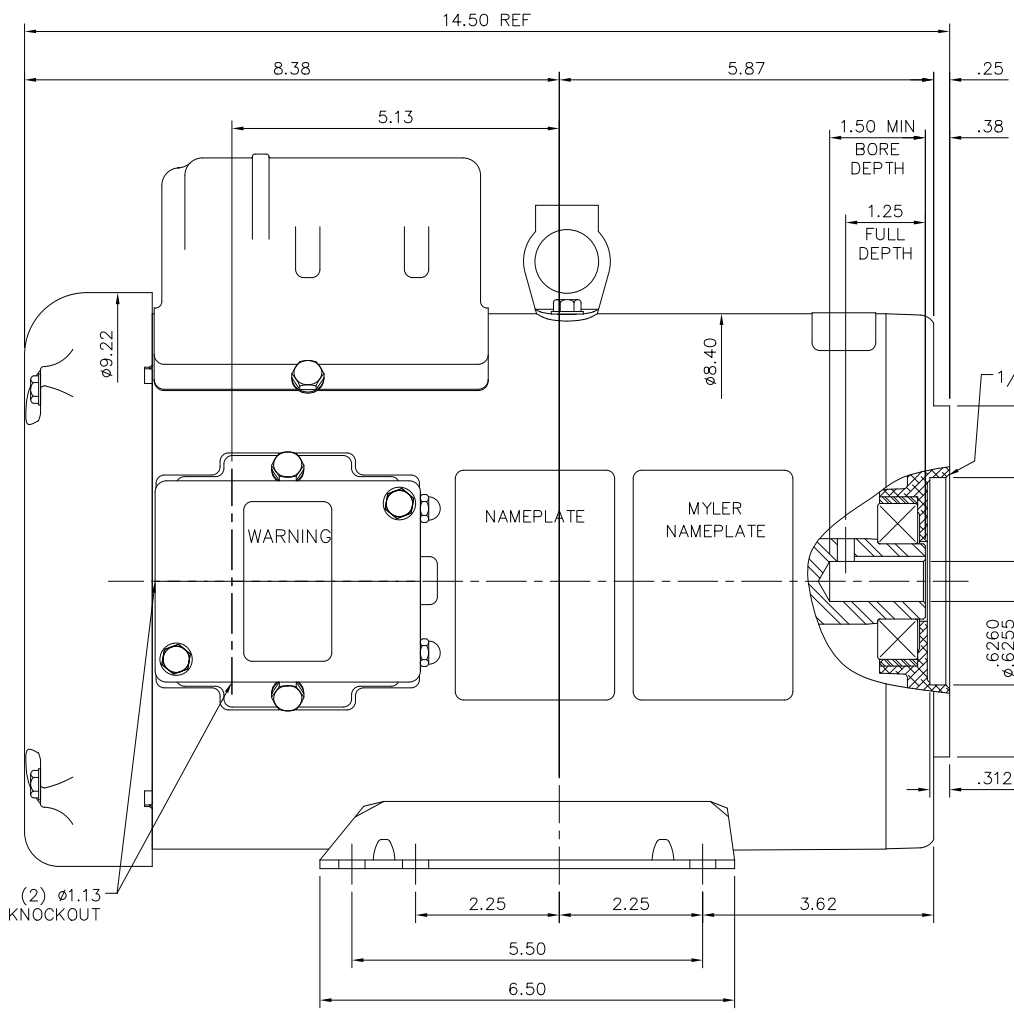
Output HP	5 Hp	Output KW	3.7 kW
Frequency	50 Hz	Voltage	220 V
Current	21.0 A	Speed	1440 rpm
Service Factor	1	Phase	1
Efficiency	82.5 %	Power Factor	97
Duty	Continuous	Insulation Class	F
Design Code	NO DESIGN CODE	KVA Code	G
Frame	184TZ	Enclosure	Totally Enclosed Fan Cooled
Thermal Protection	Manual	Ambient Temperature	40 °C
Drive End Bearing Size	6206	Opp Drive End Bearing Size	6205
UL	Recognized	CSA	Y
CE	Y	IP Code	55
Number of Speeds	1		

Technical Specifications

Electrical Type	Capacitor Start Capacitor Run	Starting Method	Across The Line
Poles	4	Rotation	Selective Clockwise
Resistance Main	0 Ohms	Mounting	Rigid Base
Motor Orientation	Horizontal	Drive End Bearing	Ball
Opp Drive End Bearing	Ball	Frame Material	Rolled Steel
Shaft Type	Single Special Extension	Shaft Diameter	3.255 in
Assembly/Box Mounting	F1 ONLY		
Connection Drawing	005423.04	Outline Drawing	036223-1200

This is an uncontrolled document once printed or downloaded and is subject to change without notice. Date Created:11/01/2022

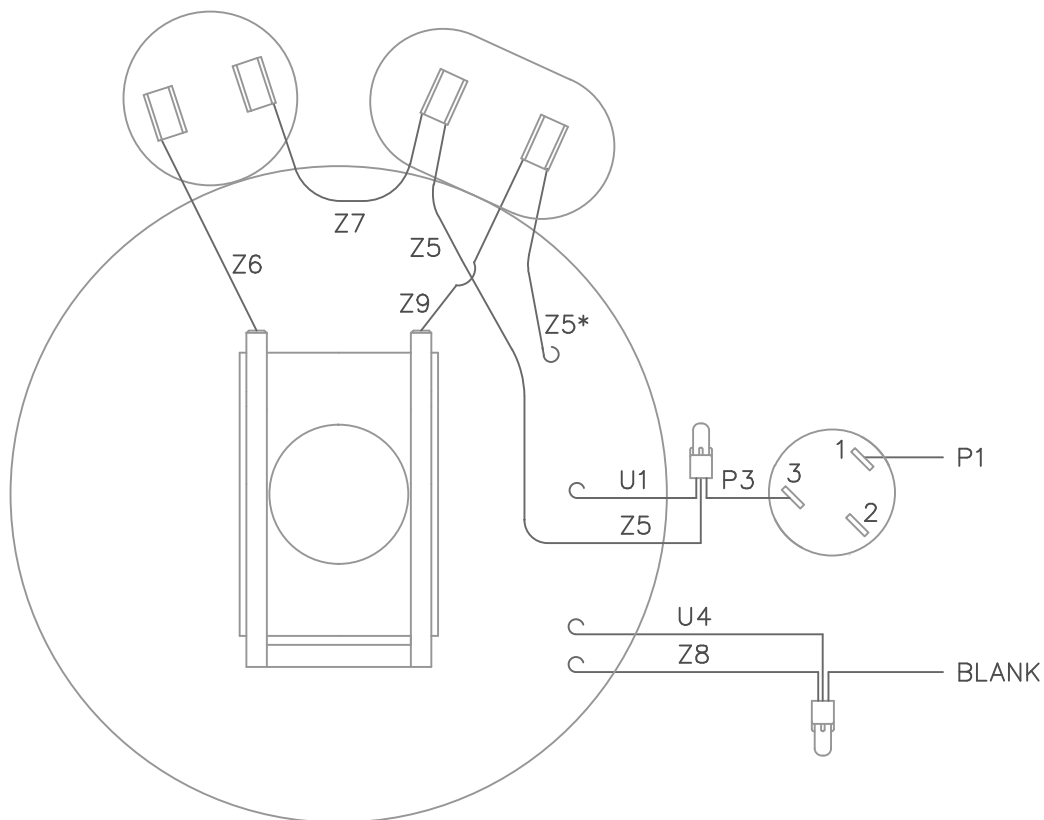
036223



- NOTES:
 1)MAX. FACE RUNOUT TO BE .004 TIR
 2)MAX. PILOT ECCENTRICITY .004 TIR
 3)BASE & MOUNTING TAPS TO BE SQUARE & PARALLEL TO EACH OTHER +/- 1/32" MAX
 4)GASKETS THROUGHOUT

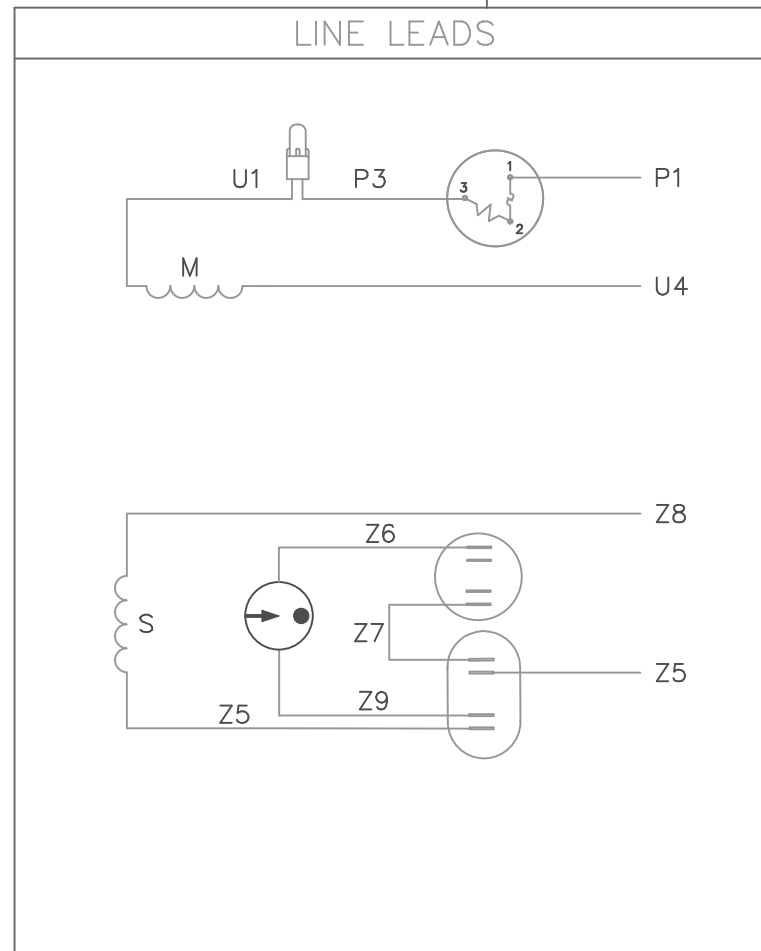
		TOLERANCES UNLESS SPECIFIED				Regal Rexnord Regal Beloit America, Inc.		DRAWN KIR 04/14/16		
		DEC.	INCHES					CHK	GR 04/14/16	
		.X	±.1					APPD	GR 04/14/16	
		.XX	±.03	TITLE		OUTLINE - 184TY FRAME		SCALE	1=2	
B	NOTES ADDED	MK	11/09/21	VJR	.XXX	±.005	TEFC - RIGID - SAE "A" FLANGE		REF	OLPR161023
A	NEW DRAWING	KIR	04/14/16	GR	.XXXX	±.0005	MAT'L		FMF	
NO.	REVISION	BY & DATE		CHK	ANG	±1/2"	FINISH		PREV	
THIS DRAWING IN DESIGN AND DETAIL IS OUR PROPERTY AND MUST NOT BE USED EXCEPT IN CONNECTION WITH OUR WORK ALL RIGHTS OF DESIGN AND INVENTION ARE RESERVED THIS IS AN ELECTRONICALLY GENERATED DOCUMENT - DO NOT SCALE THIS PRINT				RFP	12/5/02	CAD FILE	036223	SIZE	DRAWING NO.	REV.
				DIST	NLV			B	036223	A

VIEW FROM OUTSIDE OF MOTOR AT SWITCH END




CWLE ROTATION SHOWN

* THIS LEAD MAY BE RED



ROTATION FACING LEAD END	L1	L2 (BLANK)	JOIN
C.C.W.	P1	U4,Z5	U1,Z8,P3
C.W.	P1	U4,Z8	U1,Z5,P3

				TOLERANCES UNLESS SPECIFIED		 ELECTRIC MOTORS GEARMOTORS AND DRIVES		DRAWN RDW 12/5/02		
				DEC.	INCHES			CHK		
				.X	±.1			APPD		
				.XX	±.01			SCALE 1=1		
				.XXX	±.005	TITLE		REF 005056-56		
				.XXXX	±.0005	EXTERNAL WIRING DIAGRAM TYPE "K" W/PROTECTOR		FMF 131947		
01	ADDED "BLANK" UNDER L2 PER ECR 80406	MGM	1/17/03	CHK	ANG	±1/2"	MAT'L.	PREV		
NO.	REVISION	BY & DATE					FINISH			
THIS DRAWING IN DESIGN AND DETAIL IS OUR PROPERTY AND MUST NOT BE USED EXCEPT IN CONNECTION WITH OUR WORK ALL RIGHTS OF DESIGN AND INVENTION ARE RESERVED THIS IS AN ELECTRONICALLY GENERATED DOCUMENT - DO NOT SCALE THIS PRINT				RFP	12/5/02	CAD FILE	00542304	SIZE	DRAWING NO.	REV.
9/25/2008 6:13:22 PM				DIST	NLV			A	005423-04	01

EC Declaration of Conformity

The undersigned representing
the manufacturer:

Regal Beloit America
100 East Randolph St.
Wausau, WI 54401

and the authorized representative
established within the Community:

Marathon Electric UK
6F Thistleton Road Ind. Estate
Market Overton
Oakham, Rutland LE15 7PP UK

are committed to providing customers with products that comply with applicable regulations and international protocols to which they are subject, including the requirements of the European Parliament Directive on the Harmonization of the laws relating to electrical equipment designed for use within certain voltage limits (2014/35/EU).

Regal Beloit America declares that the following product(s), to which this declaration relates, are in conformity with the relevant sections of the EC standards listed below.

This statement supersedes any statements previously issued pertaining to the product(s) listed below and is subject to change without notice.

Model No : 132586.00

(Model No. may contain prefix and/or suffix characters)

Catalog No : 132586.00

Rework No : N/A

Directives :

Low Voltage Directive 2014/35/EU

Harmonized Standards Used :

EN 60034-1: 2010 (IEC 60034-1: 2010)

EN 60034-5: 2001/A1:2007 (IEC 60034-5: 2000/A1:2006)

Authorized Representative:



Michael A. Logsdon
Vice President, Technology

Authorized Representative in the Community:



Julian Clark
Marketing Engineer

Created on 09/01/2022

CE 22