

PRODUCT INFORMATION PACKET



Model No: 132447.00

Catalog No: 132447.00

Premium Duck™ General Purpose Motor, 3 & 2 HP, 3 Ph, 60 & 50 Hz, 230/460 & 190/380 V,
1800 & 1500 RPM, 182TC Frame, TEFC



Regal and Leeson are trademarks of Regal Rexnord Corporation or one of its affiliated companies.

©2023 Regal Rexnord Corporation, All Rights Reserved. MC017097E



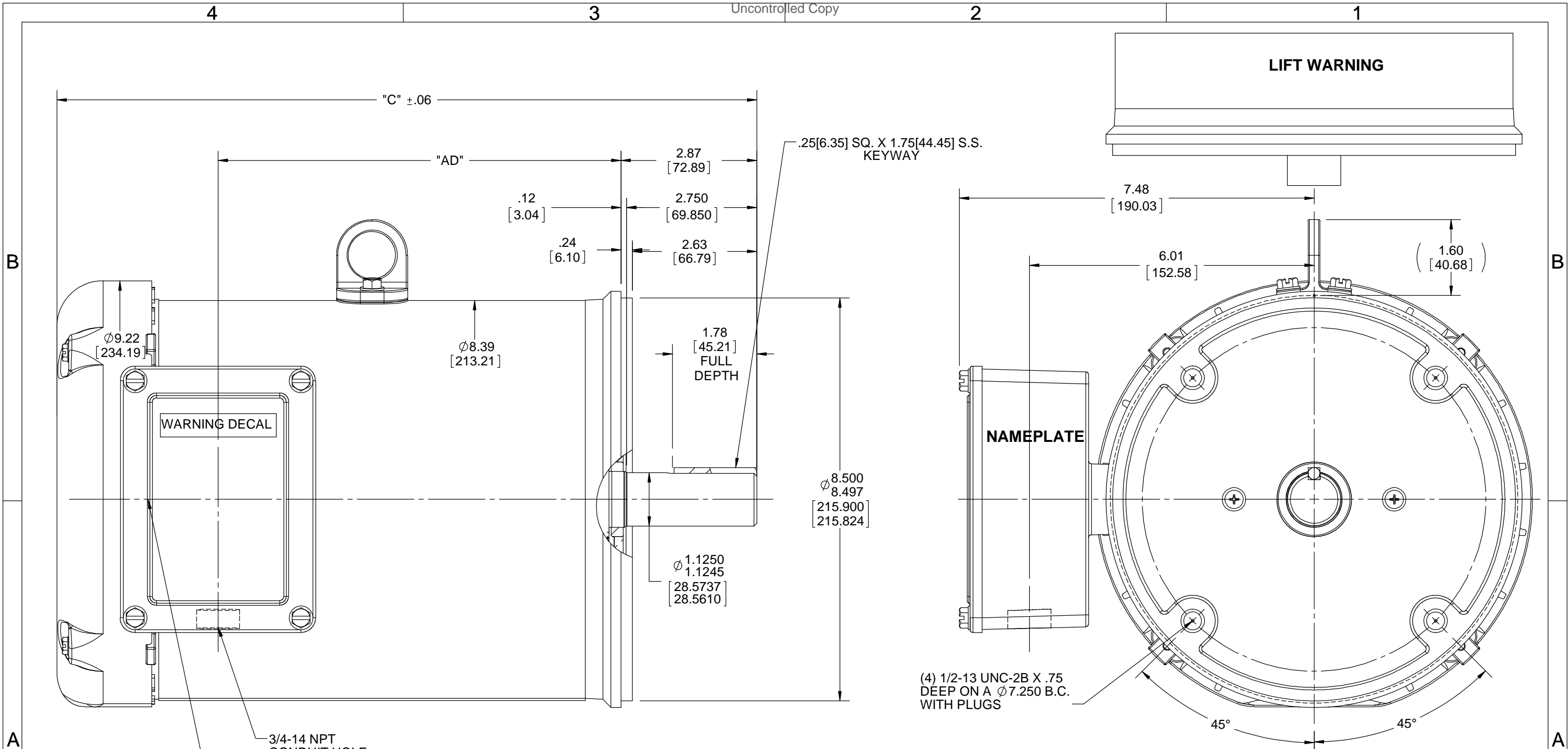


Nameplate Specifications

Phase	3	Output HP	3 & 2 Hp
Output KW	2.2 & 1.5 kW	Voltage	230/460 & 190/380 V
Speed	1770 & 1475 rpm	Service Factor	1.15 & 1.15
Frame	182TC	Enclosure	Totally Enclosed Fan Cooled
Thermal Protection	No Protection	Efficiency	89.5 & 88.5 %
Ambient Temperature	40 °C	Frequency	60 & 50 Hz
Current	7.8/3.9 & 9.5/4.75 A	Power Factor	80.5
Duty	Continuous	Insulation Class	F
Design Code	B	KVA Code	K
Drive End Bearing Size	6207	Opp Drive End Bearing Size	6207
UL	Recognized	CSA	Y
CE	Y	IP Code	55
Number of Speeds	1		

Technical Specifications

Electrical Type	Squirrel Cage Inverter Rated	Starting Method	Line Or Inverter
Poles	4	Rotation	Reversible
Resistance Main	6.08 Ohms	Mounting	Round
Motor Orientation	Horizontal	Drive End Bearing	Ball
Opp Drive End Bearing	Ball	Frame Material	Stainless Steel
Shaft Type	T	Overall Length	14.77 in
Frame Length	9.00 in	Shaft Diameter	1.125 in
Shaft Extension	2.75 in	Assembly/Box Mounting	F1 ONLY
Inverter Load	CONSTANT 3:1		
Outline Drawing	035438-900	Connection Drawing	005010.01



SPECIAL FEATURES:
 DOUBLE LIP OIL SEALS BOTH ENDS
 GASKETS THROUGHOUT
 O-RING SEALED ENDBELLS & THRU BOLTS
 LOCKED BEARING W/SEALED LOCK SCREWS

MAXIMUM FACE RUNOUT TO BE .004 T.I.R.
 MAXIMUM PILOT ECCENTRICITY TO BE .004 T.I.R.
 PERMISSIBLE SHAFT RUNOUT TO BE .002 T.I.R.

DASH NO.	"C"	"AD"
850	14.27[362.45]	8.00[203.20]
900	14.77[375.15]	8.50[215.90]
950	15.27[387.85]	9.00[228.60]
1000	15.77[400.55]	9.50[241.30]

DRAWING REVISION	REVISION BY	DATE
F	NK	4/30/2018
ECO-0144184	GR	4/30/2018

WARNING DECAL ADDED

COPYRIGHT REGAL BELOIT AMERICA, INC. ALL RIGHTS RESERVED. PROPRIETARY AND CONFIDENTIAL INFORMATION - THIS DOCUMENT IS THE PROPERTY OF REGAL BELOIT AMERICA, INC. ("OWNER") AND CONTAINS OWNER'S PROPRIETARY INFORMATION. ANY PERSON, CORPORATION OR OTHER FIRM RECEIVING IT IS DEEMED, BY RECEIVING IT, TO AGREE THAT IT, AND/OR ANY PART OF IT, SHALL NOT BE DISCLOSED TO ANY PERSON, CORPORATION OR OTHER ENTITY, DUPLICATED, AND/OR USED, EXCEPT AS EXPRESSLY APPROVED IN WRITING IN ADVANCE BY OWNER. THIS DOCUMENT SHALL BE RETURNED TO OWNER UPON REQUEST. IT MAY BE SUBJECT TO CERTAIN RESTRICTIONS UNDER APPLICABLE EXPORT CONTROL LAWS AND REGULATIONS.

TOLERANCES UNLESS OTHERWISE SPECIFIED:

DEC.	INCH	mm	ANGLE
.X	± 0.1	[± 2.5]	$\pm 0.5^\circ$
.XX	± 0.03	[± 0.76]	
.XXX	± 0.005	[± 0.127]	
.XXXX	± 0.0005	[± 0.0127]	

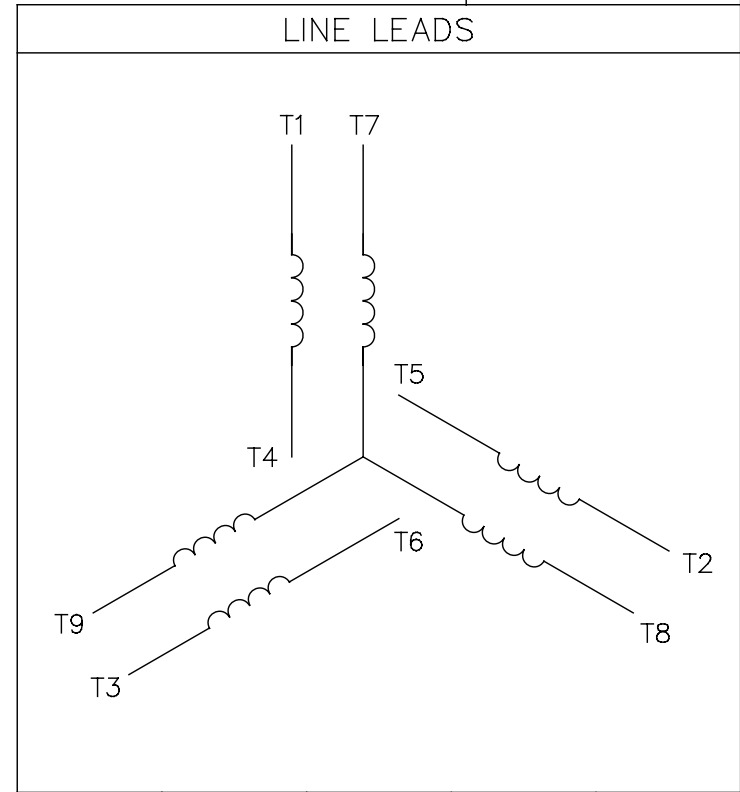
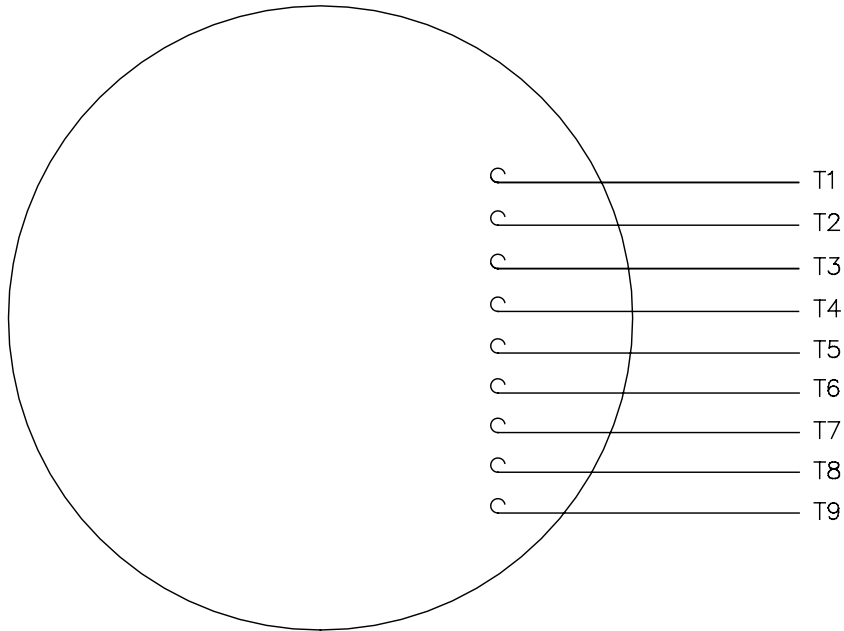
REMOVE BURRS & BREAK SHARP
 EDGES: .003/.015 [.076/.381]
 CORNER FILLETS: .02 [.51]
 MACHINED SURFACES: $\sqrt{125}$ INCH $\sqrt{3.2}$ mm
 mm SHOWN IN [BRACKETS]

DRAWN BY	DATE
RDW 4/09/02	
APPROVED BY	DATE
KH 4/9/02	
REFERENCE	
THIRD ANGLE PROJECTION	

REGAL™ Regal Beloit America, Inc.	
DESCRIPTION	PROCESS/FINISH
OUTLINE TEFC - "C" FACE	
MATERIAL STAINLESS STEEL DUCK	
SIZE B	
DRAWING NUMBER 035438	SHEET 1 OF 1

005010-01

VIEW FROM OUTSIDE OF MOTOR AT SWITCH END.



VOLTAGE	L1	L2	L3	JOIN & INSULATE
HIGH	T1	T2	T3	(T4,T7) (T5,T8) (T6,T9)
LOW	T1,T7	T2,T8	T3,T9	T4,T5,T6

				TOLERANCES UNLESS SPECIFIED		REGAL™ Regal Beloit America, Inc.		DRAWN RDW 04/12/02		
				DEC.	INCHES			CHK		
				.X	±.1			APPD		
				.XX	±.01			SCALE 1=1		
				.XXX	±.005	TITLE		REF FIG.2-51		
A	UPDATED TO REGAL LOGO	SAJ 06/26/15	AJY	.XXXX	±.0005	MAT'L.		FMF		
NO.	REVISION	BY & DATE	CHK	ANG	±1/2"	FINISH		PREV		
THIS DRAWING IN DESIGN AND DETAIL IS OUR PROPERTY AND MUST NOT BE USED EXCEPT IN CONNECTION WITH OUR WORK ALL RIGHTS OF DESIGN AND INVENTION ARE RESERVED THIS IS AN ELECTRONICALLY GENERATED DOCUMENT - DO NOT SCALE THIS PRINT				RFP	04/12/02	CAD FILE		SIZE	DRAWING NO.	REV.
				DIST	BRF-NLV	00501001		A	005010-01	A



CERTIFICATION DATA SHEET

**1051 CHEYENNE AVE.
GRAFTON, WI 53024
PH. 262-377-8810**

CONN. DIAGRAM: 005010.01

CATALOG #: 132447.00

OUTLINE: 035438-900

MOUNTING: F1 ONLY

WINDING #: T84174 FR 3

TYPICAL MOTOR PERFORMANCE DATA

HP	kW	SYNC. RPM	F.L. RPM	FRAME	ENCLOSURE	KVA CODE	DESIGN
3&2	2.24&1.49	1800	1770&1475	182TC	TEFC	K	B

PH	Hz	VOLTS	AMPS	START TYPE	DUTY	INSL	S.F.	AMB°C
3	60/50	230/460&190/380	7.8/3.9&9.5/4.75	LINE OR INVERTER	CONTINUOUS	F4	1.15/1.15	40

FULL LOAD EFF:	89.5&88.5	3/4 LOAD EFF:	89.6	1/2 LOAD EFF:	87.7	GTD. EFF		ELEC. TYPE	
FULL LOAD PF:	80.5&74	3/4 LOAD PF:	73.8	1/2 LOAD PF:	62.7	0		SQ CAGE INV RATED	

F.L. TORQUE	LOCKED ROTOR AMPS	L,R. TORQUE	B,D. TORQUE	F.L. RISE°C
8,914 LB-FT	67 / 33.5	22.5 LB-FT 253 %	36 LB-FT 404 %	39

SOUND PRESSURE @ 3 FT.	SOUND POWER	ROTOR WK^2	MAX. WK^2	SAFE STALL TIME	STARTS / HOUR	APPROX. MOTOR WGT
0 dBA	10 dBA	0.383 LB-FT^2	0 LB-FT^2	10 SEC.	0	0 LBS.

***** SUPPLEMENTAL INFORMATION *****

DE BRACKET TYPE	ODE BRACKET TYPE	MOUNT TYPE	ORIENTATION	SEVERE DUTY	HAZARDOUS LOCATION	DRIP COVER	SCREENS	PAINT
C-FACE	STANDARD	ROUND	HORIZONTAL	FALSE	NONE	FALSE	NONE	NO PAINT

BEARINGS		GREASE	SHAFT TYPE	SPECIAL DE	SPECIAL ODE	SHAFT MATERIAL	FRAME MATERIAL
DE	ODE						
BALL	BALL	POLYREX EM	T	NONE	NONE	303 STAINLESS (C-501)	STAINLESS STEEL
6207	6207						

THERMO-PROTECTORS				THERMISTORS	CONTROL	SPACE HEATERS
THERMOSTATS	PROTECTORS	WDG RTDs	BRG RTDs			
NONE	NOT	NONE	NONE	NONE	FALSE	NONE VOLTS

*
N
O
T
E
S

INVERTER TORQUE: CONSTANT 3:1
INV. HP SPEED RANGE: NONE
ENCODER: NONE NONE NONE NONE NONE PPR
BRAKE: NONE NONE NONE P/N NONE NONE NONE NONE FT-LB NONE V NONE Hz

Data Sheet

Date: 1/23/2018

132447.00



Data @ 460 V

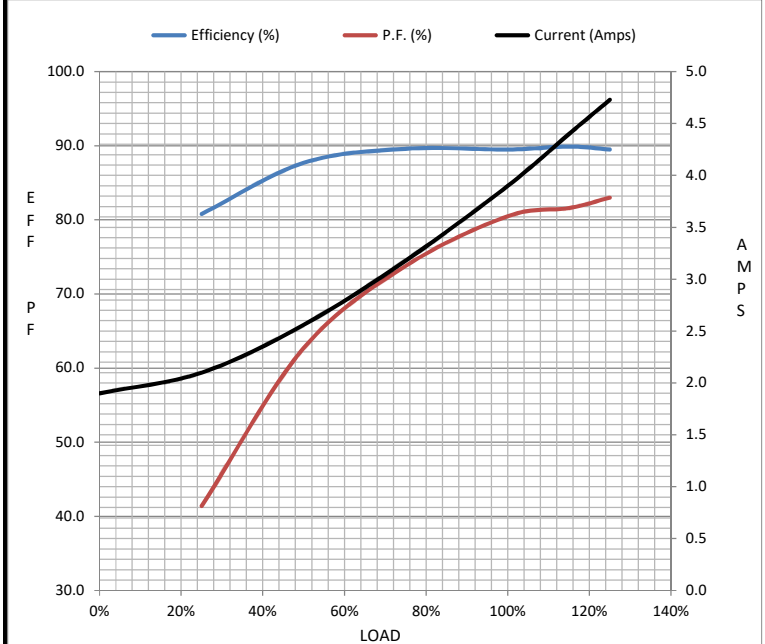
Motor Load Data

Load	0%	25%	50%	75%	100%	115%	125%	LR
Current (Amps)	1.90	2.10	2.56	3.2	3.9	4.4	4.7	33.5
Torque (ft-lb)	0.00	2.20	4.4	6.6	8.9	10.3	11.2	22.5
RPM	1800	1792	1785	1777	1770	1.766	1755	0
Efficiency (%)		80.8	87.7	89.6	89.5	89.9	89.5	
P.F. (%)	6.9	41.4	62.7	73.8	80.5	81.6	83.0	0.0

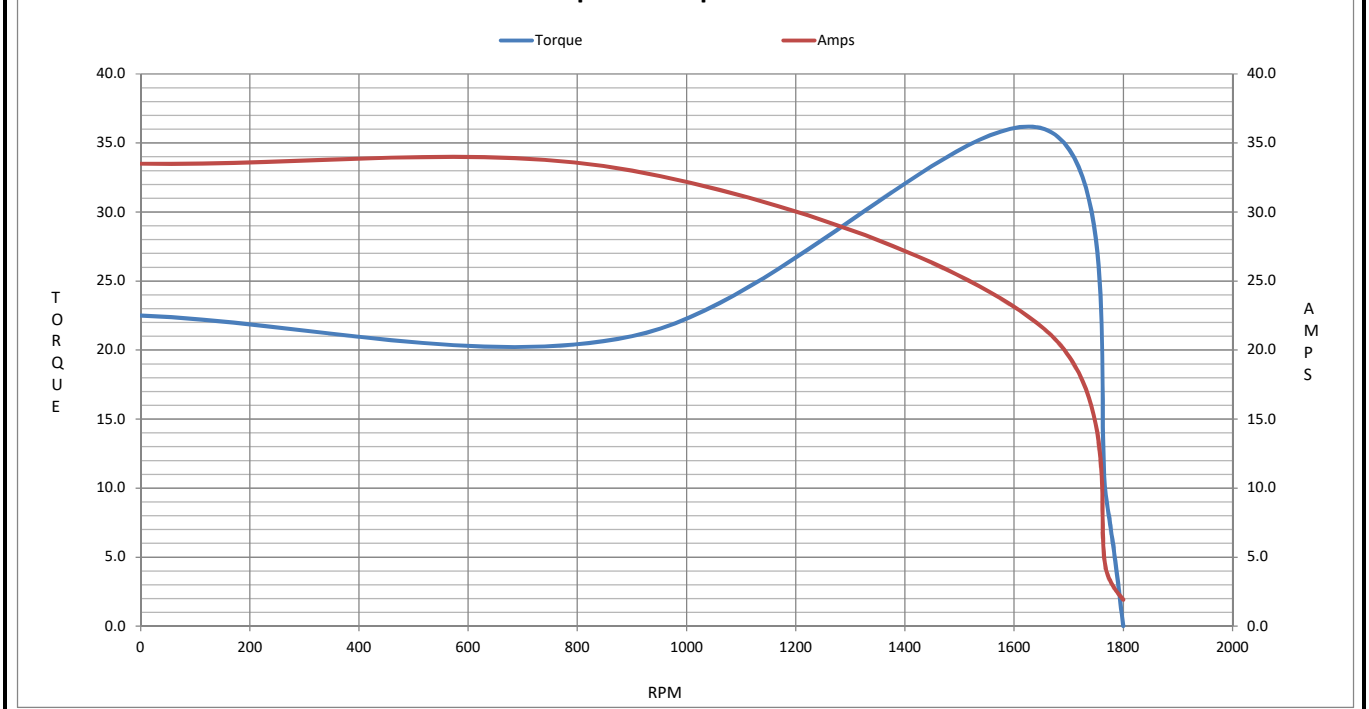
Motor Speed Data

	LR	Pull-Up	BD	Rated	Idle
Speed (RPM)	0	900	1656	1770	1800
Current (Amps)	33.5	33.0	21.5	3.9	1.90
Torque (ft-lb)	22.5	21.0	36.0	8.9	0.00

Information Block				
HP	3.0			
Sync. RPM	1800			
Frame	182			
Enclosure	TEFC			
Construction	TFW			
Voltage	230/460#190/380 V			
Frequency	60 Hz			
Design	B			
LR Code letter	K			
Service Factor	1.15			
Temp Rise @ FL	40 °C			
Duty	CONT			
Ambient	40 °C			
Elevation	1,000 feet			
Rotor/Shaft wk ²	0.38 Lb-Ft ²			
Ref Wdg	T84174 FR			
Sound Pressure @ 1M	0 dBA			
VFD Rating	CONSTANT 3:1			
Outline Dwg	035438-900			
Conn. Diag	005010.01			
Additional Specifications:				
0				
0				
EQUIV CKT (OHMS / PHASE)				
R1	R2	X1	X2	Xm
0.0000	0.0000	0.0000	0.0000	0.0000



Speed - Torque Curve



EC Declaration of Conformity

The undersigned representing
the manufacturer:

Regal Beloit America
100 East Randolph St.
Wausau, WI 54401

and the authorized representative
established within the Community:

Marathon Electric UK
6F Thistleton Road Ind. Estate
Market Overton
Oakham, Rutland LE15 7PP UK

are committed to providing customers with products that comply with applicable regulations and international protocols to which they are subject, including the requirements of the European Parliament Directive on the Harmonization of the laws relating to electrical equipment designed for use within certain voltage limits (2014/35/EU).

Regal Beloit America declares that the following product(s), to which this declaration relates, are in conformity with the relevant sections of the EC standards listed below.

This statement supersedes any statements previously issued pertaining to the product(s) listed below and is subject to change without notice.

Model No : 132447.00

(Model No. may contain prefix and/or suffix characters)

Catalog No : 132447.00

Rework No : N/A

Directives :

Low Voltage Directive 2014/35/EU

Harmonized Standards Used :

EN 60034-1: 2010 (IEC 60034-1: 2010)

EN 60034-5: 2001/A1:2007 (IEC 60034-5: 2000/A1:2006)

Authorized Representative:



Michael A. Logsdon
Vice President, Technology

Authorized Representative in the Community:



Julian Clark
Marketing Engineer

Created on 09/01/2022

CE 22