

PRODUCT INFORMATION PACKET



Model No: 132440.00
Catalog No: 132440.00
White Duck™ General Purpose Motor, 5 & 3 HP, 3 Ph, 60 & 50 Hz, 230/460 & 190/380 V, 1800 & 1500 RPM,
184TC Frame, TEFC



Regal and Leeson are trademarks of Regal Rexnord Corporation or one of its affiliated companies.
©2023 Regal Rexnord Corporation, All Rights Reserved. MC017097E





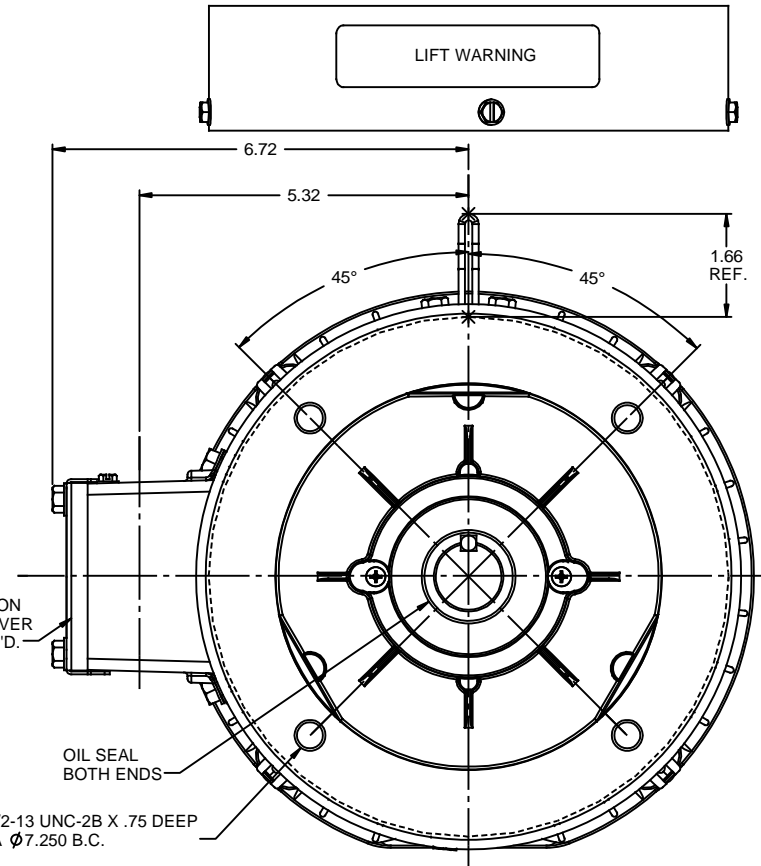
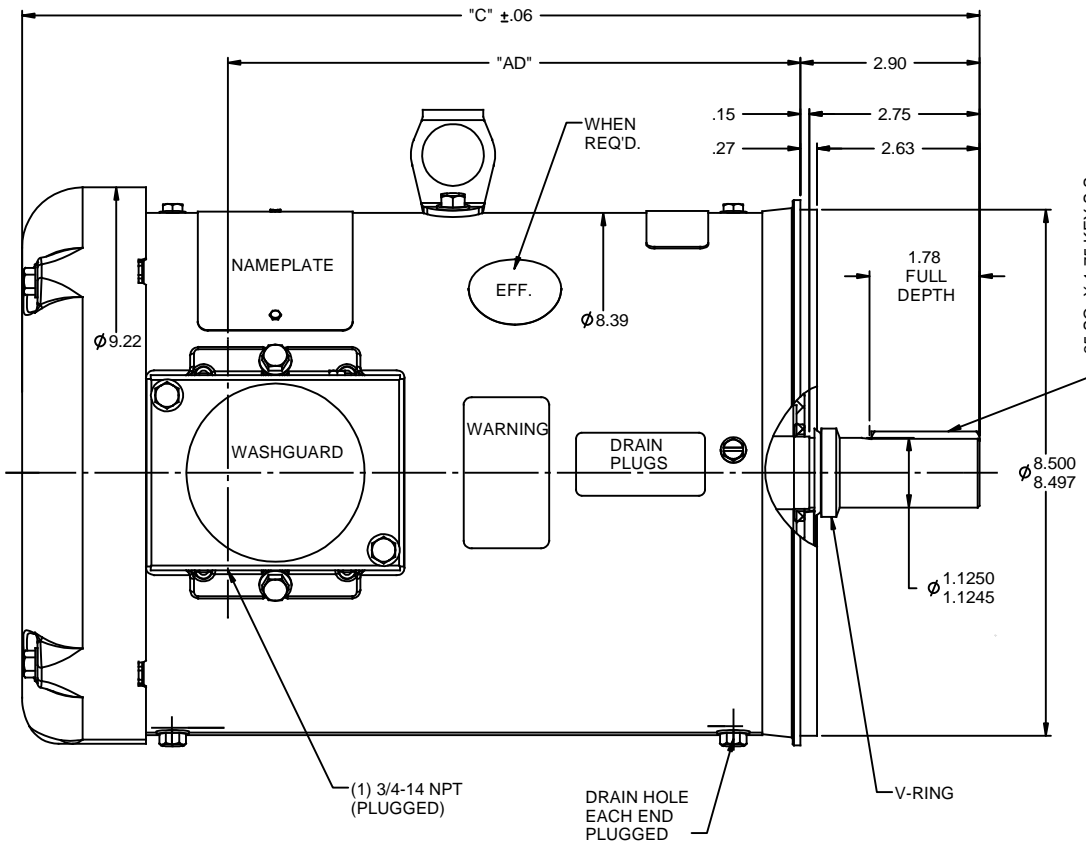
Nameplate Specifications

| | | | |
|------------------------|------------------------------|----------------------------|------------------------------------|
| Phase | 3 | Output HP | 5 & 3 Hp |
| Output KW | 3.7 & 2.2 kW | Voltage | 230/460 & 190/380 V |
| Speed | 1760 & 1475 rpm | Service Factor | 1.15 & 1.15 |
| Frame | 184TC | Enclosure | Totally Enclosed Fan Cooled |
| Thermal Protection | No Protection | Efficiency | 89.5 & 88.5 % |
| Ambient Temperature | 40 °C | Frequency | 60 & 50 Hz |
| Current | 12.6/6.3 & 10/5 A | Power Factor | 83 |
| Duty | Continuous | Insulation Class | F |
| Design Code | B | KVA Code | G |
| Drive End Bearing Size | 6207 | Opp Drive End Bearing Size | 6205 |
| UL | Recognized | CSA | Y |
| CE | Y | IP Code | 55 |
| Number of Speeds | 1 | | |

Technical Specifications

| | | | |
|-----------------------|------------------------------------|-----------------------|------------------------|
| Electrical Type | Squirrel Cage Induction Run | Starting Method | Across The Line |
| Poles | 4 | Rotation | Reversible |
| Resistance Main | 2.68 Ohms | Mounting | Round |
| Motor Orientation | Horizontal | Drive End Bearing | Ball |
| Opp Drive End Bearing | Ball | Frame Material | Rolled Steel |
| Shaft Type | T | Overall Length | 15.47 in |
| Frame Length | 10.00 in | Shaft Diameter | 1.125 in |
| Shaft Extension | 2.75 in | Assembly/Box Mounting | F1/F2 CAPABLE |
| Connection Drawing | 005010.01 | Outline Drawing | 035461-1000 |

RBC PROPRIETARY AND CONFIDENTIAL INFORMATION
 This document is the property of REGAL BELOIT CORPORATION ("RBC") including its subsidiaries and divisions and contains proprietary information of RBC. This document is loaned on the express condition that neither it nor the information contained therein shall be disclosed to others without the express written consent of RBC, and that the information shall be used by the recipient only as approved expressly by RBC. This document shall be returned to RBC upon its request. This document may be subject to certain restrictions under U.S. export control laws and regulations.



MAXIMUM FACE RUNOUT TO BE .004 T.I.R.
 MAXIMUM PILOT ECCENTRICITY TO BE .004 T.I.R.
 PERMISSIBLE SHAFT RUNOUT TO BE .002 T.I.R.

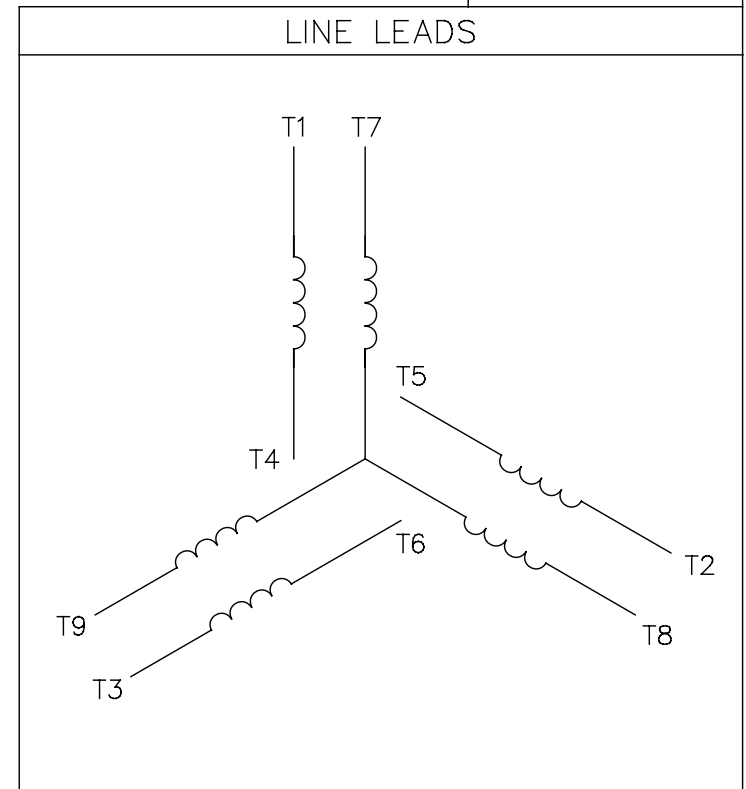
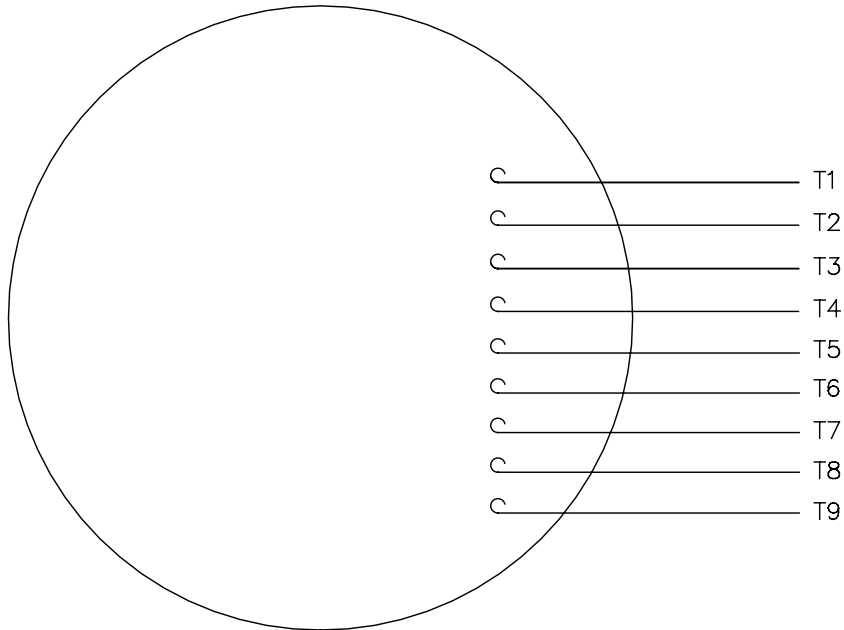
SPECIAL FEATURES:
 SHAFT SEAL & V-RING
 DRAIN HOLES IN FRAME & CONDUIT BOX
 STAINLESS STEEL SHAFT, HARDWARE & NAMEPLATE
 GASKETS THROUGHOUT

| DASH NO. | "C" | "AD" |
|----------|-------|-------|
| 900 | 14.47 | 8.25 |
| 950 | 14.97 | 8.75 |
| 1000 | 15.47 | 9.25 |
| 1050 | 15.97 | 9.75 |
| 1100 | 16.47 | 10.25 |
| 1150 | 16.97 | 10.75 |

| | | | | TOLERANCES UNLESS SPECIFIED | | DRAWN RDW 2/19/03 | | |
|------------------------|---------------------------------|----------------|--------------------------|-----------------------------|--------|--|------------|----|
| | | | | DEC | INCHES | CHK | | |
| | | | | X | ±.1 | APPR SW 2/19/03 | | |
| | | | | .XX | ±.03 | SCALE 1:2 | | |
| 03 | UPDATE PER ISAAC 10-0580 | LST 5/12/2010 | XX | XXX | ±.005 | TITLE OUTLINE - 180TC FRAME TEFC - "C" FACE | | |
| - | UPDATED & REDRAWN IN SOLIDWORKS | LST 11/17/2009 | XX | XXX | ±.0005 | REF MATL WASHGUARD | | |
| NO | REVISION | BY & DATE | CHK | ANG | ±1/2" | PAGE OF | | |
| | | | RFP | PREV | | SIZE | DRAWING NO | |
| THIRD ANGLE PROJECTION | | | NETWORK FILE NAME 035461 | | | B | 035461 | |
| | | | | | | | REV | 03 |

005010-01

VIEW FROM OUTSIDE OF MOTOR AT SWITCH END.



| VOLTAGE | L1 | L2 | L3 | JOIN & INSULATE |
|---------|-------|-------|-------|-------------------------------|
| HIGH | T1 | T2 | T3 | (T4,T7) (T5,T8) (T6,T9) |
| LOW | T1,T7 | T2,T8 | T3,T9 | T4,T5,T6 |

| | | TOLERANCES UNLESS SPECIFIED | | REGAL™ Regal Beloit America, Inc. | | DRAWN RDW 04/12/02 | |
|--|-----------------------|-----------------------------|------------------|-----------------------------------|-------------------|--------------------|-----------------------|
| | | DEC. | INCHES | TITLE | | CHK | |
| | | .X | ±.1 | EXTERNAL WIRING DIAGRAM | | APPD | |
| | | .XX | ±.01 | 3 PHASE W/O PROTECTOR | | SCALE 1=1 | |
| | | .XXX | ±.005 | DECAL - 004014 | | REF FIG.2-51 | |
| A | UPDATED TO REGAL LOGO | SAJ 06/26/15 | AJY .XXXX ±.0005 | MAT'L. | | FMF | |
| NO. | REVISION | BY & DATE | CHK ANG ±1/2° | FINISH | | PREV | |
| THIS DRAWING IN DESIGN AND DETAIL IS OUR PROPERTY AND MUST NOT BE USED EXCEPT IN CONNECTION WITH OUR WORK ALL RIGHTS OF DESIGN AND INVENTION ARE RESERVED THIS IS AN ELECTRONICALLY GENERATED DOCUMENT - DO NOT SCALE THIS PRINT | | | | RFP 04/12/02 | CAD FILE 00501001 | SIZE A | DRAWING NO. 005010-01 |
| | | | | DIST BRF-NLV | | | REV. A |

P.O. BOX 8003
 WAUSAU, WI 54401-8003
 PH. 715-675-3311



DATA VOLTS: 460

CERTIFICATION DATA SHEET

CONN. DIAGRAM: 005010.01
 OUTLINE: 035461-1000
 WINDING: T84170

CAT #: 132440.00

FR 3

TYPICAL MOTOR PERFORMANCE DATA

| HP | KW | SYNC RPM | FL RPM | FRAME | ENCLOSURE | TYPE | KVA CODE | DESIGN |
|----|-----|----------|--------|-------|-----------|------|----------|--------|
| 5 | 3.7 | 1800 | 1760 | 184TC | TEFC | TFW | J | B |

| PH | HZ | VOLTS | AMPS | START TYPE | DUTY | INSL | S.F. | AMB | ELEV. |
|----|-------|-----------------|---------------|-----------------|------|------|------|-----|-------|
| 3 | 60/50 | 230/460#190/380 | 12.6/6.3&10/5 | ACROSS THE LINE | CONT | F | 1.15 | 40 | 3300 |

| F.L. EFF | 89.5 | 3/4 LD EFF | 90.2 | 1/2 LD EFF | 88.9 | GTD EFF | ELECT. TYPE |
|----------|------|------------|------|------------|------|---------|-----------------|
| F.L. PF | 83.1 | 3/4 LD PF | 79.4 | 1/2 LD PF | 70.9 | 87.5 | SQ CAGE IND RUN |

| F.L. TORQUE | LR AMPS @ 460 V | L.R. TORQUE | B.D. TORQUE | F.L. RISE (°C) |
|-------------|-----------------|-----------------|-----------------|----------------|
| 15.0 LB-FT | 49.0 | 30.1 LB-FT 201% | 50.2 LB-FT 335% | 65 |

| PRESSURE @ 3 | POWER | ROTOR WK² | MAX. LOAD WK² | SAFE STALL TIME | STARTS/HOUR | MOTOR WGT |
|--------------|--------|-------------|---------------|-----------------|-------------|-----------|
| 55 dBA | 64 dBA | 0.49 LB-FT² | 0 LB-FT² | 15 SEC. | 2 | 0 LB. |

*** SUPPLEMENTAL INFORMATION ***

| DE BRACKET TYPE | ODE BRACKET TYPE | MOUNT TYPE | MOTOR ORIENTATION | SEVERE DUTY | HAZARDOUS LOCATION | DRIP COVER | SCREENS | PAINT |
|-----------------|------------------|------------|-------------------|-------------|--------------------|------------|---------|--------------------|
| C-FACE | STANDARD | ROUND | HORIZONTAL | NO | NONE | NO | NONE | HITE - LEESON (EPO |

| BEARINGS | | GREASE | SHAFT TYPE | SPECIAL DE | SPECIAL ODE | SHAFT MATERIAL | FRAME MATERIAL |
|----------|------|------------|------------|------------|-------------|-----------------------|----------------|
| DE | ODE | POLYREX EM | T | NONE | NONE | 303 STAINLESS (C-501) | ROLLED STEEL |
| BALL | BALL | | | | | | |
| 6207 | 6205 | | | | | | |

| THERMOSTATS | PROTECTORS | WDG RTD's | BRG RTD's | THERMISTORS | CONTROL | SPACE HEATERS |
|-------------|------------|-----------|-----------|-------------|---------|---------------|
| NONE | NOT | NONE | NONE | NONE | FALSE | NA |

| R1 (ohms/ph) | R2 (ohms/ph) | X1 (ohms/ph) | X2 (ohms/ph) | Xm (ohms/ph) | VIBRATION (in/sec) | FLOAT |
|--------------|--------------|--------------|--------------|--------------|--------------------|-------|
| 0 | 0 | 0 | 0 | 0 | 0.080 | ODE |

| | | |
|---------------------------------|---------------------------|--|
| * N O T E S * | INVERTER TORQUE: NONE | |
| | INV. HP SPEED RANGE: NONE | |
| | ENCODER: NONE | |
| | NONE | |
| | NONE NONE PPR | |

| | | |
|-----------------------|----------------|-----|
| DATE: 2/21/2018 | BRAKE: NONE | |
| | NONE NONE NONE | |
| | FT-LB: NA | HZ: |
| | VOLTAGE: NONE | |
| UL: Y-(LEESON UL REC) | | |

P.O. BOX 8003
 WAUSAU, WI 54401-8003
 PH. 715-675-3311



DATA VOLTS: 460

CERTIFICATION DATA SHEET

CONN. DIAGRAM: 005010.01
 OUTLINE: 035461-1000
 WINDING: T84170

CAT #: 132440.00

FR 3

TYPICAL MOTOR PERFORMANCE DATA

| HP | KW | SYNC RPM | FL RPM | FRAME | ENCLOSURE | TYPE | KVA CODE | DESIGN |
|----|-----|----------|--------|-------|-----------|------|----------|--------|
| 5 | 3.7 | 1800 | 1760 | 184TC | TEFC | TFW | J | B |

| PH | HZ | VOLTS | AMPS | START TYPE | DUTY | INSL | S.F. | AMB | ELEV. |
|----|-------|-----------------|---------------|-----------------|------|------|------|-----|-------|
| 3 | 60/50 | 230/460#190/380 | 12.6/6.3&10/5 | ACROSS THE LINE | CONT | F | 1.15 | 40 | 3300 |

| F.L. EFF | 89.5 | 3/4 LD EFF | 90.2 | 1/2 LD EFF | 88.9 | GTD EFF | 87.5 | ELECT. TYPE | SQ CAGE IND RUN |
|----------|------|------------|------|------------|------|---------|------|-------------|-----------------|
| F.L. PF | 83.1 | 3/4 LD PF | 79.4 | 1/2 LD PF | 70.9 | | | | |

| F.L. TORQUE | LR AMPS @ 460 V | L.R. TORQUE | B.D. TORQUE | F.L. RISE (°C) |
|-------------|-----------------|-----------------|-----------------|----------------|
| 15.0 LB-FT | 49.0 | 30.1 LB-FT 201% | 50.2 LB-FT 335% | 65 |

| PRESSURE @ 3 | POWER | ROTOR WK² | MAX. LOAD WK² | SAFE STALL TIME | STARTS/HOUR | MOTOR WGT |
|--------------|--------|-------------|---------------|-----------------|-------------|-----------|
| 55 dBA | 64 dBA | 0.49 LB-FT² | 0 LB-FT² | 15 SEC. | 2 | 0 LB. |

*** SUPPLEMENTAL INFORMATION ***

| DE BRACKET TYPE | ODE BRACKET TYPE | MOUNT TYPE | MOTOR ORIENTATION | SEVERE DUTY | HAZARDOUS LOCATION | DRIP COVER | SCREENS | PAINT |
|-----------------|------------------|------------|-------------------|-------------|--------------------|------------|---------|--------------------|
| C-FACE | STANDARD | ROUND | HORIZONTAL | NO | NONE | NO | NONE | HITE - LEESON (EPO |

| BEARINGS | | GREASE | SHAFT TYPE | SPECIAL DE | SPECIAL ODE | SHAFT MATERIAL | FRAME MATERIAL |
|----------|------|------------|------------|------------|-------------|-----------------------|----------------|
| DE | ODE | | | | | | |
| BALL | BALL | POLYREX EM | T | NONE | NONE | 303 STAINLESS (C-501) | ROLLED STEEL |
| 6207 | 6205 | | | | | | |

| THERMOSTATS | PROTECTORS | WDG RTD's | BRG RTD's | THERMISTORS | CONTROL | SPACE HEATERS |
|-------------|------------|-----------|-----------|-------------|---------|---------------|
| NONE | NOT | NONE | NONE | NONE | FALSE | NA |

| R1 (ohms/ph) | R2 (ohms/ph) | X1 (ohms/ph) | X2 (ohms/ph) | Xm (ohms/ph) | VIBRATION (in/sec) | FLOAT |
|--------------|--------------|--------------|--------------|--------------|--------------------|-------|
| 0 | 0 | 0 | 0 | 0 | 0.080 | ODE |

| | | |
|---------------------------------|---------------------------|--|
| * N O T E S * | INVERTER TORQUE: NONE | |
| | INV. HP SPEED RANGE: NONE | |
| | ENCODER: NONE | |
| | NONE | |
| | NONE NONE PPR | |

| | | |
|-----------------------|----------------|-----|
| DATE: 1/23/2018 | BRAKE: NONE | |
| | NONE NONE NONE | |
| | FT-LB: NA | HZ: |
| | VOLTAGE: NONE | |
| UL: Y-(LEESON UL REC) | | |

EC Declaration of Conformity

The undersigned representing
the manufacturer:

Regal Beloit America
100 East Randolph St.
Wausau, WI 54401

and the authorized representative
established within the Community:

Marathon Electric UK
6F Thistleton Road Ind. Estate
Market Overton
Oakham, Rutland LE15 7PP UK

are committed to providing customers with products that comply with applicable regulations and international protocols to which they are subject, including the requirements of the European Parliament Directive on the Harmonization of the laws relating to electrical equipment designed for use within certain voltage limits (2014/35/EU).

Regal Beloit America declares that the following product(s), to which this declaration relates, are in conformity with the relevant sections of the EC standards listed below.

This statement supersedes any statements previously issued pertaining to the product(s) listed below and is subject to change without notice.

Model No : 132440.00

(Model No. may contain prefix and/or suffix characters)

Catalog No : 132440.00

Rework No : N/A

Directives :

Low Voltage Directive 2014/35/EU

Harmonized Standards Used :

EN 60034-1: 2010 (IEC 60034-1: 2010)

EN 60034-5: 2001/A1:2007 (IEC 60034-5: 2000/A1:2006)

Authorized Representative:



Michael A. Logsdon
Vice President, Technology

Authorized Representative in the Community:



Julian Clark
Marketing Engineer

Created on 09/01/2022

CE 22