

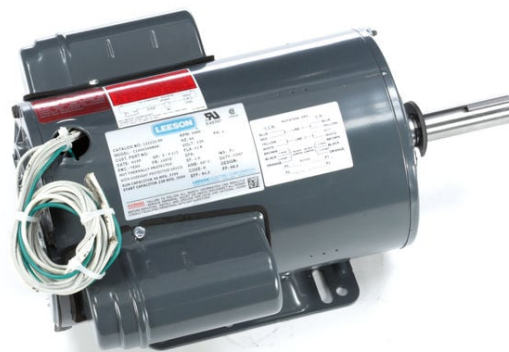
# PRODUCT INFORMATION PACKET



Model No: 132392.00

Catalog No: 132392.00

Crop Dryer Motor, 7.50 & 10 HP, 1 Ph, 60 & 60 Hz, 230 & 230 V, 3600 & 3600 RPM, 182TZ Frame, TEAO



Regal and Leeson are trademarks of Regal Rexnord Corporation or one of its affiliated companies.

©2023 Regal Rexnord Corporation, All Rights Reserved. MC017097E





### Nameplate Specifications

Phase	1	Output HP	7.50 & 10 Hp
Output KW	5.6 & 7.5 kW	Voltage	230 & 230 V
Speed	3450 & 3450 rpm	Service Factor	1.0 & 1.0
Frame	182TZ	Enclosure	Totally Enclosed Air Over
Thermal Protection	Thermostat	Efficiency	85.5 & 86.4 %
Ambient Temperature	40 °C	Frequency	60 & 60 Hz
Current	30 & 38 A	Power Factor	98
Duty	Continuous	Insulation Class	F
Design Code	NO DESIGN CODE	KVA Code	F
Drive End Bearing Size	6206	Opp Drive End Bearing Size	6205
UL	Recognized	CSA	Y
CE	N	IP Code	43
Number of Speeds	1		

### Technical Specifications

Electrical Type	Capacitor Start Capacitor Run	Starting Method	Across The Line
Poles	2	Rotation	Selective Counterclockwise
Resistance Main	.185 Ohms	Mounting	Rigid Base
Motor Orientation	Horizontal	Drive End Bearing	Ball
Opp Drive End Bearing	Ball	Frame Material	Rolled Steel
Shaft Type	Single Special Extension	Overall Length	17.44 in
Frame Length	12.50 in	Shaft Diameter	1.125 in
Shaft Extension	3.5 in	Assembly/Box Mounting	F3
Outline Drawing	OL132392	Connection Drawing	005018.42

4

3

2

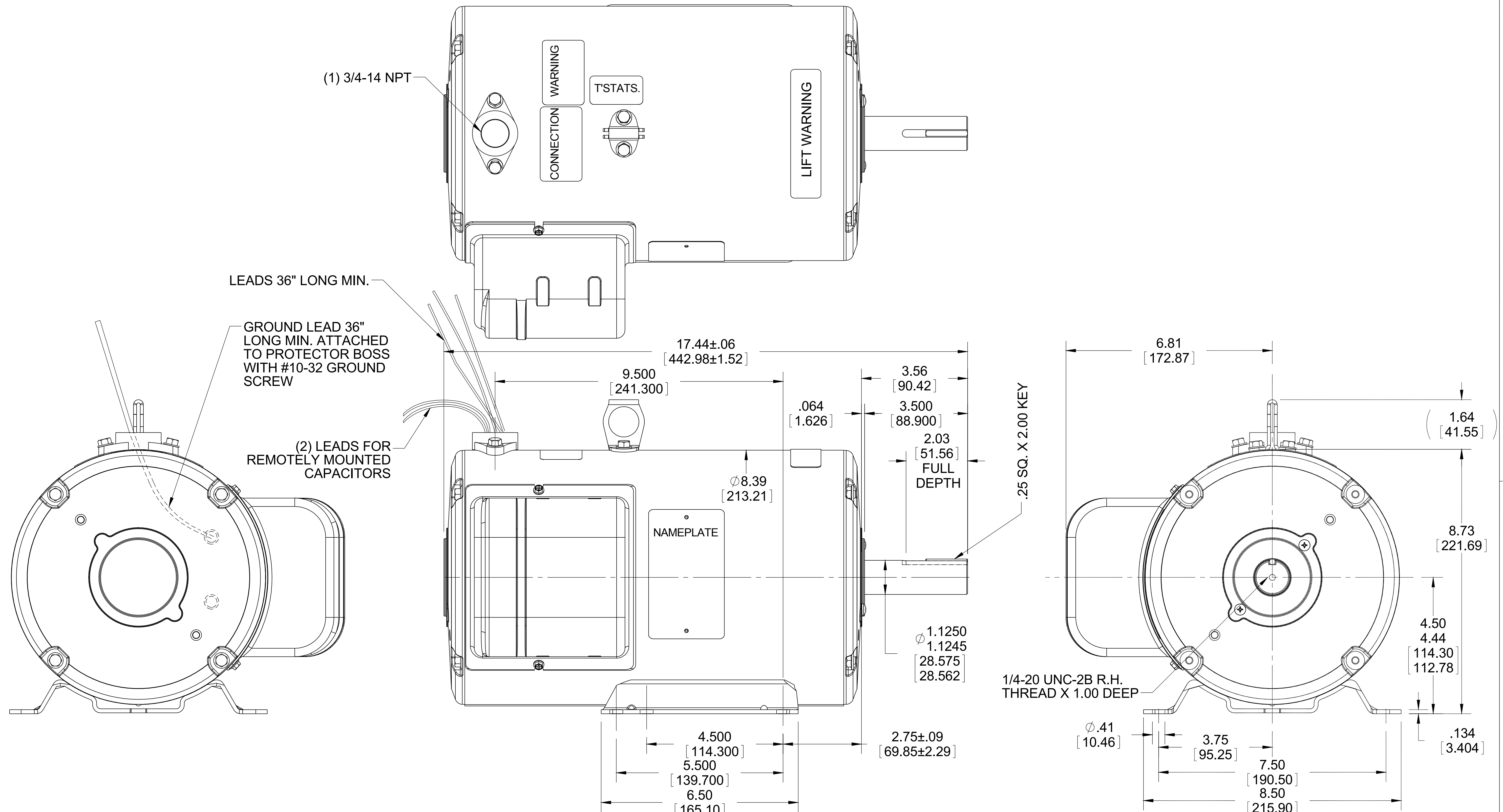
1

B

B

A

A



DRAWING REVISION A	REVISION BY SAJID	DATE 07/07/2015	TOLERANCES UNLESS OTHERWISE SPECIFIED: DEC. .X ±0.1 [±2.5] ANGLE ±7° 30" .XX ±0.03 [±0.76] .XXX ±0.005 [±0.127] .XXXX ±0.0005 [±0.0127] REMOVE BURRS & BREAK SHARP EDGES: .003/.015 [0.076/.381] X 45° CORNER FILLETS: R.02 [51] MACHINED SURFACES: 200 INCH/mm 5.1 mm SHOWN IN [BRACKETS]	DRAWN BY SAJID	<b>REGAL</b> ™ Regal Beloit America, Inc.
ECO ECO-0081000	APPROVED BY SR	DATE 07/07/2015		DATE 07/07/2015	
ECO DESCRIPTION <b>NEW DRAWING</b> COPYRIGHT REGAL BELOIT AMERICA, INC. ALL RIGHTS RESERVED. PROPRIETARY AND CONFIDENTIAL INFORMATION - THIS DOCUMENT IS THE PROPERTY OF REGAL BELOIT AMERICA, INC. ("OWNER") AND CONTAINS OWNER'S PROPRIETARY INFORMATION. ANY PERSON, CORPORATION OR OTHER FIRM RECEIVING IT IS DEEMED, BY RECEIVING IT, TO AGREE THAT IT, AND/OR ANY PART OF IT, SHALL NOT BE DISCLOSED TO ANY PERSON, CORPORATION OR OTHER ENTITY, DUPLICATED, AND/OR USED, EXCEPT AS EXPRESSLY APPROVED IN WRITING IN ADVANCE BY OWNER. THIS DOCUMENT SHALL BE RETURNED TO OWNER UPON REQUEST. IT MAY BE SUBJECT TO CERTAIN RESTRICTIONS UNDER APPLICABLE EXPORT CONTROL LAWS AND REGULATIONS.			REFERENCE OL132338	MATERIAL	PROCESS/FINISH
			THIRD ANGLE PROJECTION	SIZE B	DRAWING NUMBER <b>OL132392</b>
					SHEET 1 OF 1

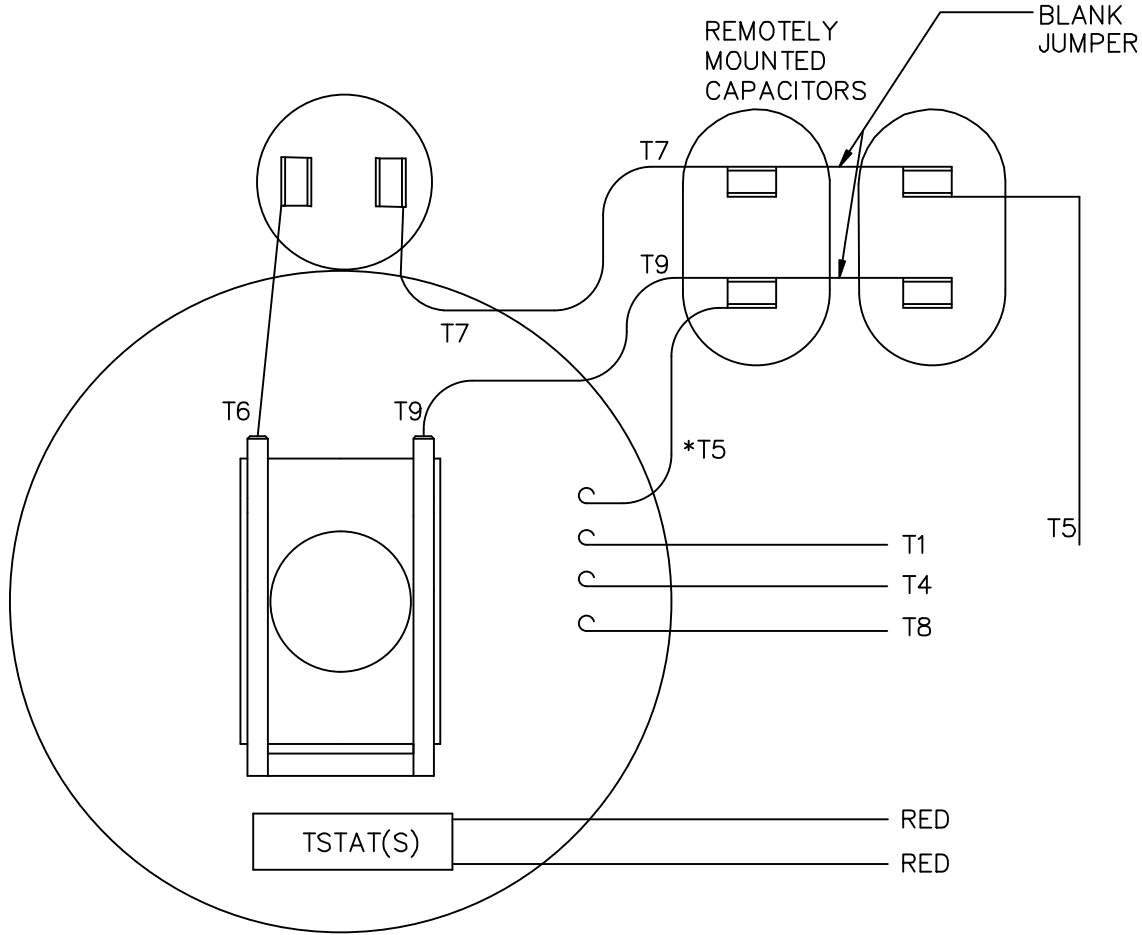
4

3

2

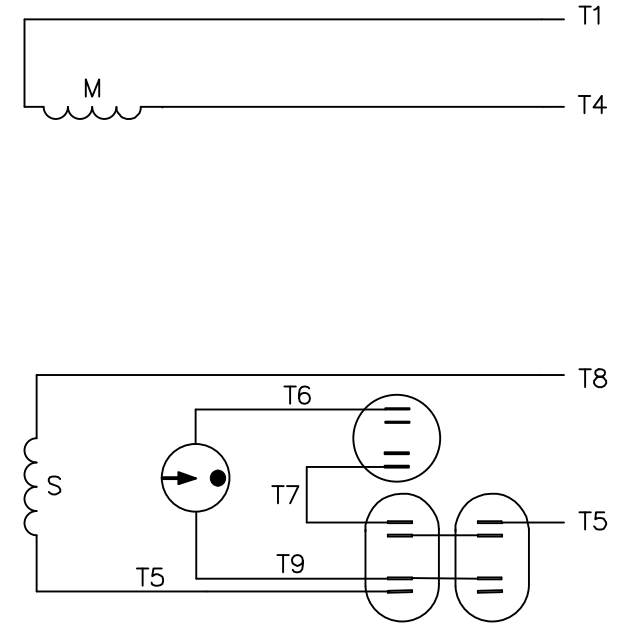
1

VIEW FROM OUTSIDE OF MOTOR AT SWITCH END.



\* THIS LEAD MAY BE WHITE

LINE LEADS



ROTATION  
FACING  
LEAD END

L1

L2

C.C.W.

T1,T8

T4,T5

C.W.

T1,T5

T4,T8

TOLERANCES  
UNLESS SPECIFIED

DEC. INCHES

.X ±.1

.XX ±.01

.XXX ±.005

.XXXX ±.0005

ANG ±1/2"



ELECTRIC MOTORS  
GEARMOTORS  
AND DRIVES

DRAWN UD 08/23/12

CHK JD 08/23/12

APPD

SCALE 1=1

REF EXSPR121291

FMF 132338.00

PREV

TITLE  
EXTERNAL WIRING DIAGRAM  
TYPE "K" W/O PROTECTOR

MAT'L. DECAL - 004018

FINISH TSTAT - 080582

01	ADDED NOTE FOR BLANK JUMPER	PVR 09/13/12	JD	.XXXX	±.0005
NO.	REVISION	BY & DATE	CHK	ANG	±1/2"

THIS DRAWING IN DESIGN AND DETAIL IS OUR PROPERTY AND MUST NOT BE USED EXCEPT IN CONNECTION WITH OUR WORK ALL RIGHTS OF DESIGN AND INVENTION ARE RESERVED THIS IS AN ELECTRONICALLY GENERATED DOCUMENT - DO NOT SCALE THIS PRINT

RFP  
DIST

CAD FILE 00501842

SIZE  
A

DRAWING NO. PAGE OF  
005018-42

REV.  
01

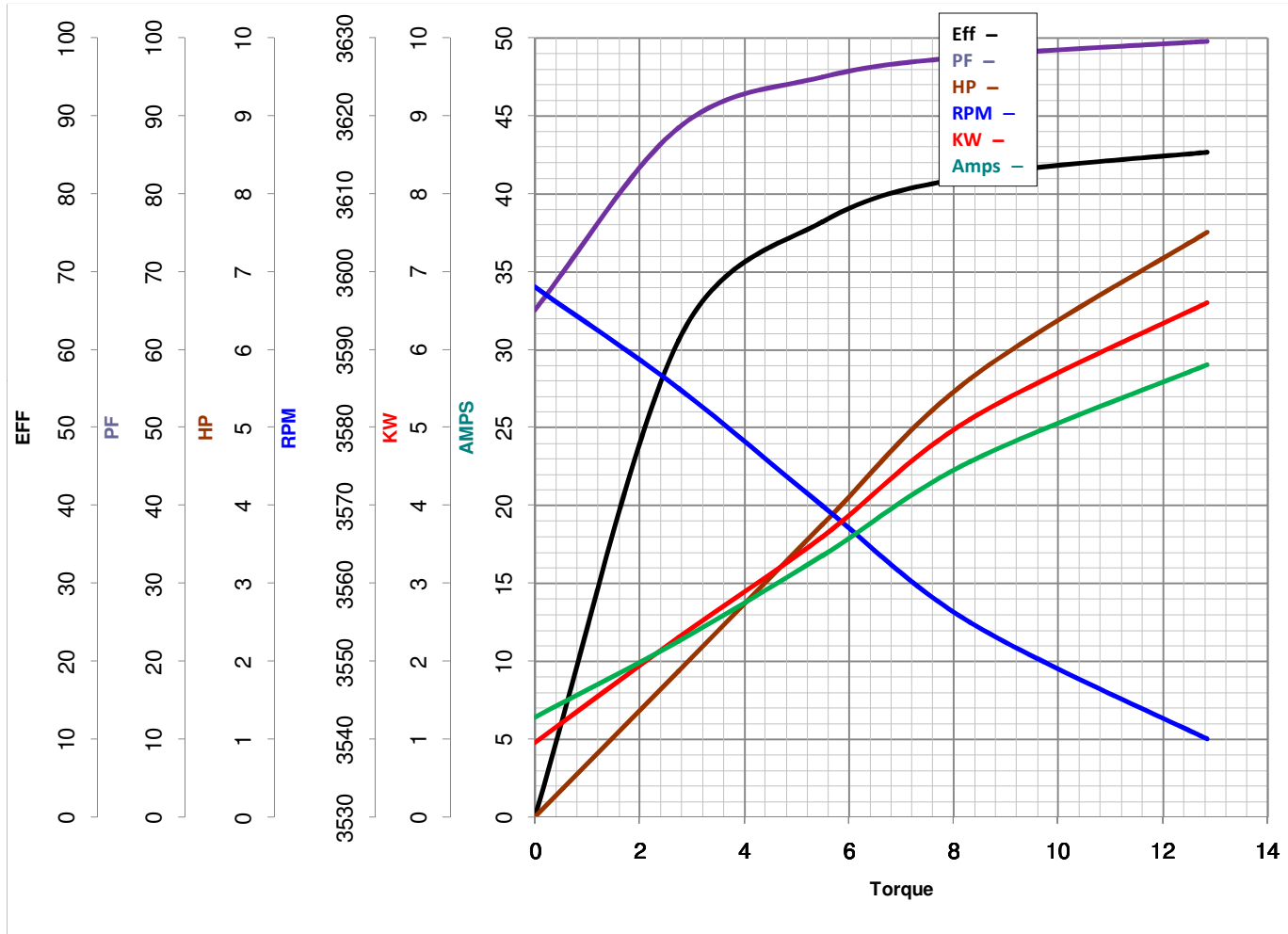


**LEESON ELECTRIC CORPORATION**  
 TYPICAL PERFORMANCE CURVE for AC MOTOR

Model No 132392.00

Catalog No 132392.00

Curve at 230 Volts      HP 7.50      PHASE 1  
60 HZ  
7.5 HP      VOLTS 230  
    HZ 60      RPM 3450



Torque in lb-Ft

FL TORQUE 12.85 lb-Ft  
 BD TORQUE 36.0 lb-Ft  
 LR TORQUE 21 lb-Ft

FL AMPS 30  
 PU TORQUE 20.0 lb-Ft  
 LR AMPS 227

WINDING K8244-2

Date 3/26/2018