

PRODUCT INFORMATION PACKET



Model No: 132391.00

Catalog No: 132391.00

Crop Dryer Motor, 5 & 7 HP, 1 Ph, 60 & 60 Hz, 230 & 230 V, 3600 & 3600 RPM, 182TZ Frame, TEAO



Regal and Leeson are trademarks of Regal Rexnord Corporation or one of its affiliated companies.

©2023 Regal Rexnord Corporation, All Rights Reserved. MC017097E





Nameplate Specifications

Phase	1	Output HP	5 & 7 Hp
Output KW	3.7 & 5.2 kW	Voltage	230 & 230 V
Speed	3450 & 3450 rpm	Service Factor	1.0 & 1.0
Frame	182TZ	Enclosure	Totally Enclosed Air Over
Thermal Protection	Thermostat	Efficiency	83 & 83.5 %
Ambient Temperature	40 °C	Frequency	60 & 60 Hz
Current	20.82 & 28.58 A	Power Factor	94.2
Duty	Continuous	Insulation Class	F
Design Code	L	KVA Code	K
Drive End Bearing Size	6206	Opp Drive End Bearing Size	6205
UL	Recognized	CSA	Y
CE	N	IP Code	43
Number of Speeds	1		

Technical Specifications

Electrical Type	Capacitor Start Capacitor Run	Starting Method	Across The Line
Poles	2	Rotation	Selective Counterclockwise
Resistance Main	.21 Ohms	Mounting	Rigid Base
Motor Orientation	Horizontal	Drive End Bearing	Ball
Opp Drive End Bearing	Ball	Frame Material	Rolled Steel
Shaft Type	Single Special Extension	Overall Length	17.44 in
Frame Length	12.50 in	Shaft Diameter	1.125 in
Shaft Extension	3.5 in	Assembly/Box Mounting	F3
Connection Drawing	005018.30	Outline Drawing	OL132391

4

3

2

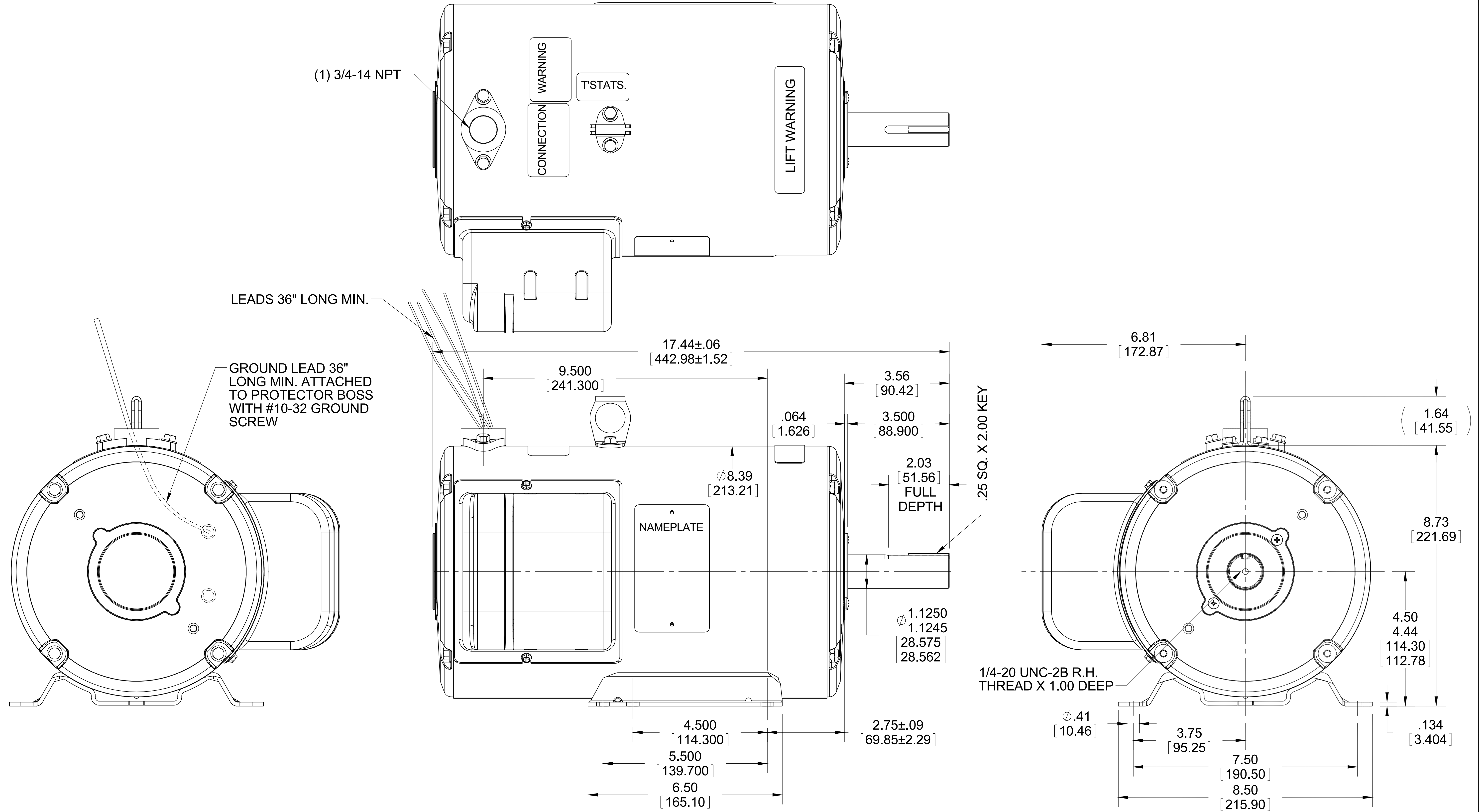
1

B

B

A

A



DRAWING REVISION A	REVISION BY SAJID	DATE 07/07/2015	TOLERANCES UNLESS OTHERWISE SPECIFIED: DEC. INCH mm ANGLE .X ±0.1 [±2.5] ±7° 30" .XX ±0.03 [±0.76] .XXX ±0.005 [±0.127] .XXXX ±0.0005 [±0.0127] REMOVE BURRS & BREAK SHARP EDGES: .003/.015 [0.076/.381] X 45° CORNER FILLETS: R.02 [0.51] MACHINED SURFACES: 200 INCH mm 5.1 mm SHOWN IN [BRACKETS]	DRAWN BY SAJID	REGAL ™ Regal Beloit America, Inc.
ECO ECO-0080944	APPROVED BY SR	DATE 07/07/2015		DATE 07/07/2015	
ECO DESCRIPTION NEW DRAWING <small>COPYRIGHT REGAL BELOIT AMERICA, INC. ALL RIGHTS RESERVED. PROPRIETARY AND CONFIDENTIAL INFORMATION - THIS DOCUMENT IS THE PROPERTY OF REGAL BELOIT AMERICA, INC. ("OWNER") AND CONTAINS OWNER'S PROPRIETARY INFORMATION. ANY PERSON, CORPORATION OR OTHER FIRM RECEIVING IT IS DEEMED, BY RECEIVING IT, TO AGREE THAT IT, AND/OR ANY PART OF IT, SHALL NOT BE DISCLOSED TO ANY PERSON, CORPORATION OR OTHER ENTITY, DUPLICATED, AND/OR USED, EXCEPT AS EXPRESSLY APPROVED IN WRITING IN ADVANCE BY OWNER. THIS DOCUMENT SHALL BE RETURNED TO OWNER UPON REQUEST. IT MAY BE SUBJECT TO CERTAIN RESTRICTIONS UNDER APPLICABLE EXPORT CONTROL LAWS AND REGULATIONS.</small>			REFERENCE OL132337	MATERIAL	PROCESS/FINISH
			THIRD ANGLE PROJECTION	SIZE B	DRAWING NUMBER OL132391
					SHEET 1 OF 1

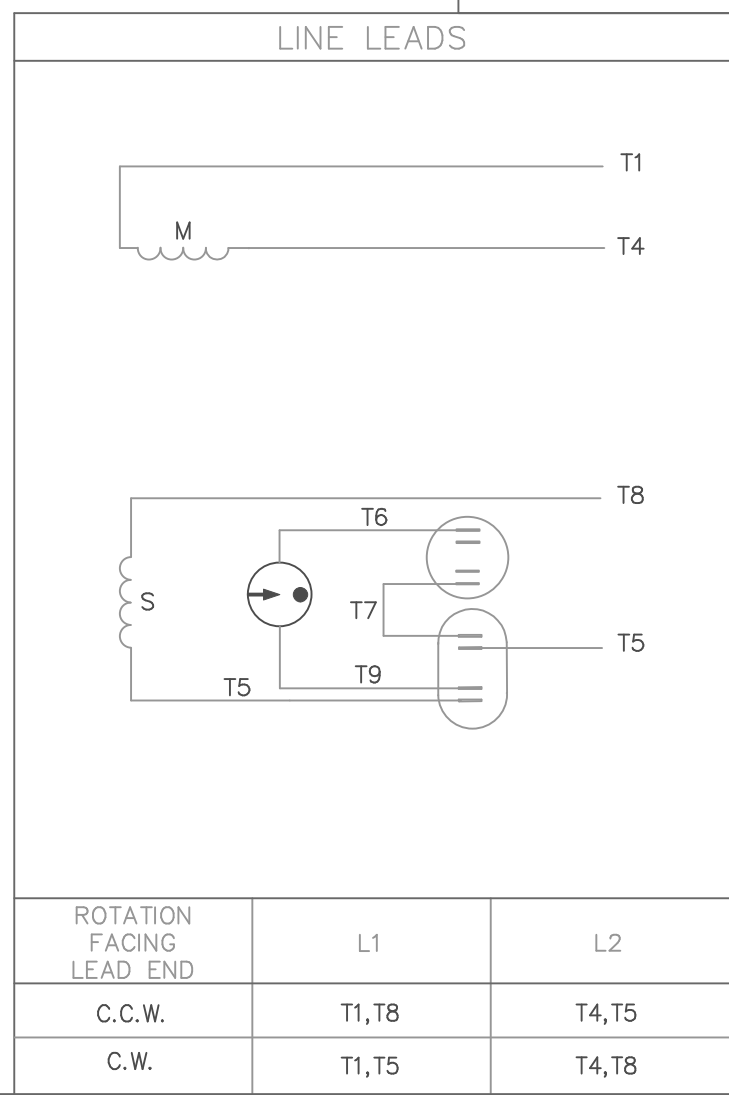
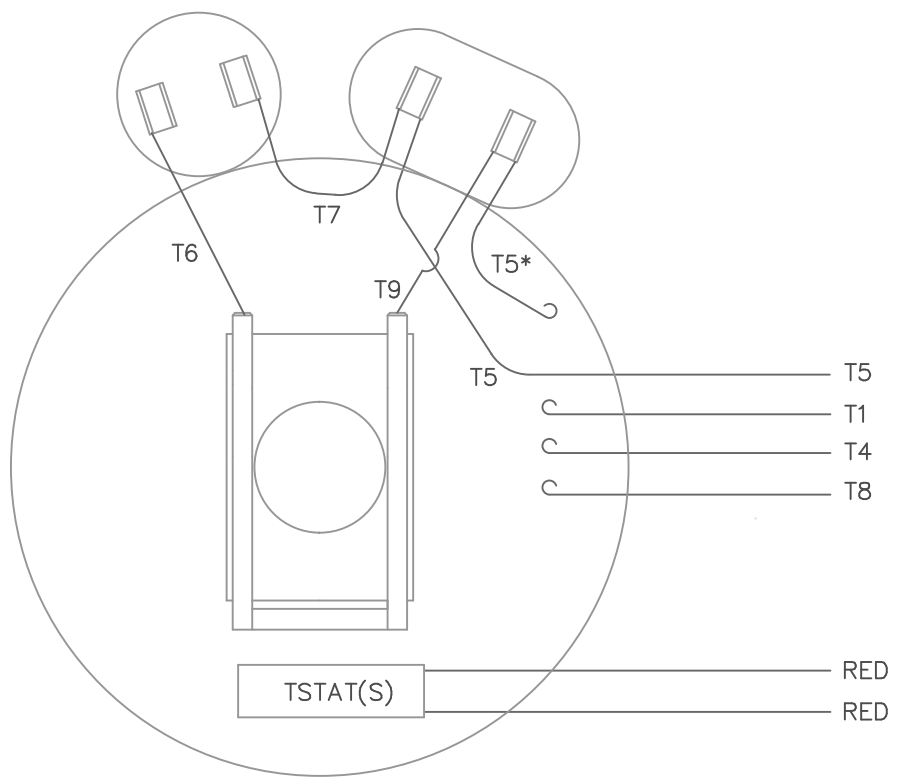
4

3

2

1

VIEW FROM OUTSIDE OF MOTOR AT SWITCH END.



* THIS LEAD MAY BE WHITE

				TOLERANCES UNLESS OTHERWISE SPECIFIED		LEESON ELECTRIC CORPORATION	
				DECIMALS			
				.00	± .01	DRAWN MDN 10/13/98	TITLE
				.000	± .005	CH'K'D.	EXTERNAL WIRING DIAGRAM TYPE "K" W/O PROTECTOR
01	ADDED "THIS LEAD MAY BE WHITE" NOTE	BJB	09/15/04	.0000	± .0005	APPR.	MAT'L.
NO.	REVISION	BY	DATE	FRACTIONS	± 1/64	SCALE 1=1	DECAL - 004018 TSTAT - 080582
THIS DRAWING IN DESIGN AND DETAIL IS OUR PROPERTY AND MUST NOT BE USED EXCEPT IN CONNECTION WITH OUR WORK ALL RIGHTS OF DESIGN AND INVENTION ARE RESERVED				ANGLES	± 1/2"	REF.	FINISH
				INCH/MM		FMF	SIZE A



CERTIFICATION DATA SHEET

**1051 CHEYENNE AVE.
GRAFTON, WI 53024
PH. 262-377-8810**

CONN. DIAGRAM: 005018.30

CATALOG #: 132391.00

OUTLINE: OL132391

MOUNTING: F3

WINDING #: K8243 NR 2 A

TYPICAL MOTOR PERFORMANCE DATA

HP	kW	SYNC. RPM	F.L. RPM	FRAME	ENCLOSURE	KVA CODE	DESIGN
5&7	3.70&5.20	3600	3450&3450	182TZ	TEAO	K	L

PH	Hz	VOLTS	AMPS	START TYPE	DUTY	INSL	S.F.	AMB°C
1	60/60	230&230	20.82&28.58	ACROSS THE LINE	CONTINUOUS	F4	1.0/1.0	40

FULL LOAD EFF:	83&83.5	3/4 LOAD EFF:	81.9	1/2 LOAD EFF:	76.9	GTD. EFF		ELEC. TYPE	
FULL LOAD PF:	94.2&95.6	3/4 LOAD PF:	94.7	1/2 LOAD PF:	92.9	80	CAP START CAP RUN		

F.L. TORQUE	LOCKED ROTOR AMPS	L,R. TORQUE	B,D. TORQUE	F.L. RISE°C
10.42 LB-FT	239	28 LB-FT 267 %	30 LB-FT 286 %	-

SOUND PRESSURE @ 3 FT.	SOUND POWER	ROTOR WK^2	MAX. WK^2	SAFE STALL TIME	STARTS / HOUR	APPROX. MOTOR WGT
0 dBA	10 dBA	0.24 LB-FT^2	0 LB-FT^2	0 SEC.	0	102 LBS.

***** SUPPLEMENTAL INFORMATION *****

DE BRACKET TYPE	ODE BRACKET TYPE	MOUNT TYPE	ORIENTATION	SEVERE DUTY	HAZARDOUS LOCATION	DRIP COVER	SCREENS	PAINT
STANDARD	STANDARD	RIGID	HORIZONTAL	FALSE	NONE	FALSE	NONE	GRAY - LEESON (EPOXY)

BEARINGS		GREASE	SHAFT TYPE	SPECIAL DE	SPECIAL ODE	SHAFT MATERIAL	FRAME MATERIAL
DE	ODE						
BALL	BALL	POLYREX EM	SGL SPL EXT	SPECIAL	NONE	AISI 1045 (C-240)	ROLLED STEEL
6206	6205						

THERMO-PROTECTORS				THERMISTORS	CONTROL	SPACE HEATERS
THERMOSTATS	PROTECTORS	WDG RTDs	BRG RTDs			
TSTATS 140(N/C)	NOT	NONE	NONE	NONE	FALSE	NONE VOLTS

*
N
O
T
E
S

INVERTER TORQUE: NONE
INV. HP SPEED RANGE: NONE
ENCODER: NONE
NONE NONE
NONE NONE PPR
BRAKE: NONE NONE
NONE P/N NONE
NONE NONE
NONE FT-LB NONE V NONE HZ



LEESON ELECTRIC CORPORATION
 TYPICAL PERFORMANCE CURVE for AC MOTOR

Model No 132391.00

Catalog No 132391.00

Curve at 230
60
5

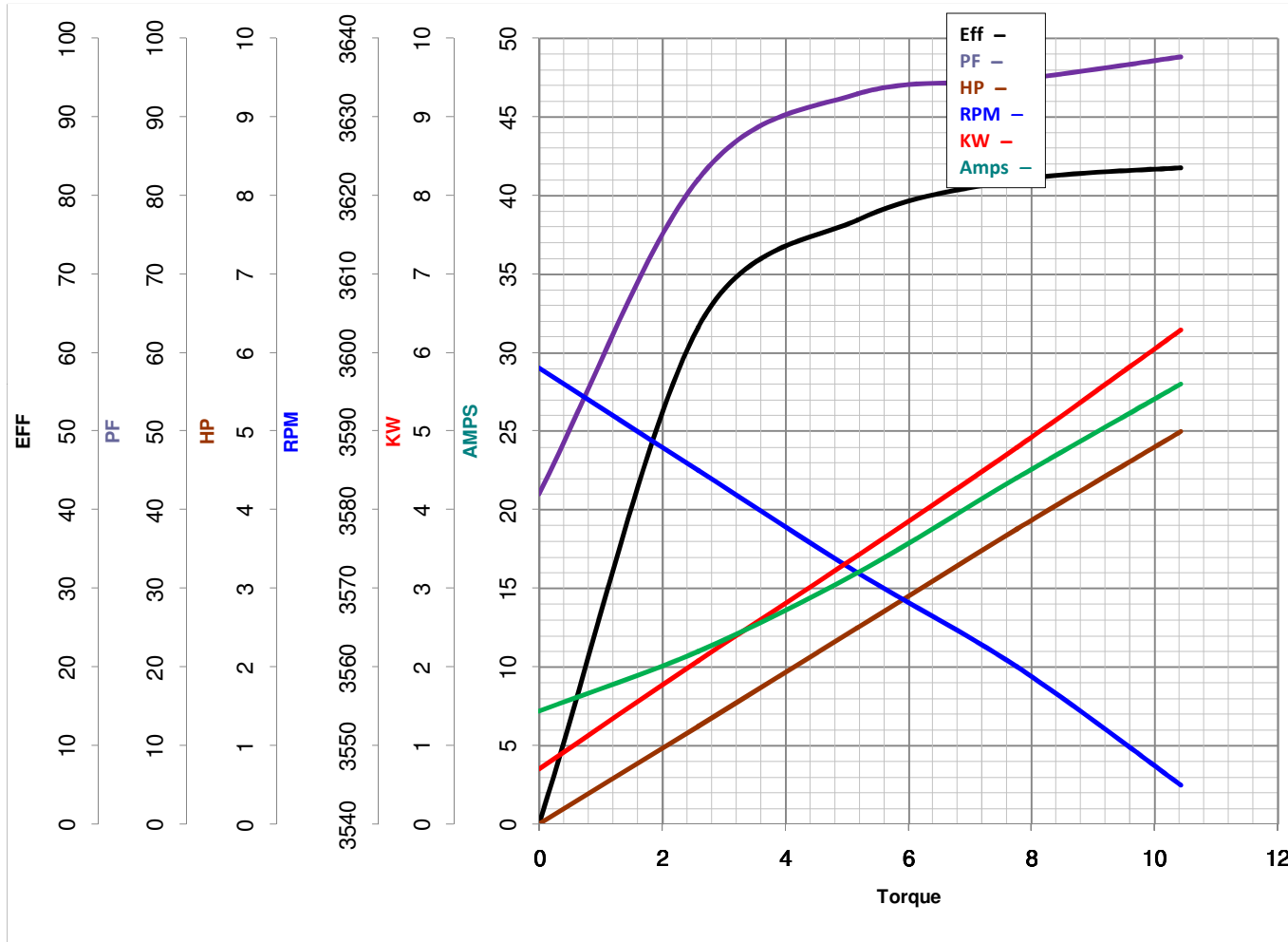
Volts
 HZ
 HP

HP 5&7
 VOLTS 230&230

PHASE 1

HZ 60&60

RPM 3450&3450



Torque in lb-Ft

FL TORQUE 10.42 lb-Ft
 BD TORQUE 30.0 lb-Ft
 LR TORQUE 28 lb-Ft

FL AMPS 20.82
 PU TORQUE 27.0 lb-Ft
 LR AMPS 239

WINDING K8243-2

Date 4/10/2018